

Table of Contents	
2	Block Diagram
3	Notes
4	DSC & ZIF Socket
5	USB/OSBDM/SERIAL/POWER
6	Peripherals & Motor Connect
7	Tower Elevator Connectors

Revisions			
Rev	Description	Date	Approved
X1	First Release	23Mar12	M Kamil
X2	1. Some parts changed with Alternates suggested by Juan 2. Socket part number changed to 210-79953 3. Project name changed to XTWR-56F8200 4. J501 Footprint changed to CON220_SSM_MIRRORED	03APR12	M Kamil & JUAN
	A070 Release	04Apr12	SHANU & JUAN
A	J501 Footprint changed to CON220_SSM_MIRRORED_PL	18Apr12	KAMIL & JUAN
	A085 RELEASE	18Apr12	KAMIL & JUAN

		Microcontroller Solutions Group 6501 William Cannon Drive West Austin, TX 78735-8598	
<small>This document contains information proprietary to Freescale Semiconductor and shall not be used for engineering design, procurement or manufacture in whole or in part without the express written permission of Freescale Semiconductor.</small>			
<small>ICAP Classification:</small> FCP: FIUC: X PUB:			
<small>Designer:</small> Shanu Gupta	<small>Drawing Title:</small> XTWR-56F8200		
<small>Drawn by:</small> Shanu Gupta	<small>Page Title:</small> Table of Contents/Revisions		
<small>Approved:</small> M Kamil	<small>Size</small> C	<small>Document Number</small> SCH-27546 PDF: SPF-27546	<small>Rev</small> A
<small>Date:</small> Wednesday, April 18, 2012		<small>Sheet</small> 1 of 7	

1. Unless Otherwise Specified:

- All resistors are in ohms
- All capacitors are in uF
- All voltages are DC


2. Interrupted lines coded with the same letter or letter combinations are electrically connected.

3. Device type number is for reference only. The number varies with the manufacturer.

4. Special signal usage:

- _B Denotes - Active-Low Signal
- <> or [] Denotes - Vectored Signals

5. Interpret diagram in accordance with American National Standards Institute specifications, current revision, with the exception of logic block symbology.

		
ICAP Classification: FCP: _____ FIUC: X PUBL: _____		
Drawing Title: XTWR-56F8200		
Page Title: Notes		
Size C	Document Number SCH-27546 PDF: SPF-27546	Rev A
Date: Wednesday, April 18, 2012	Sheet 2 of 7	

Sheet 5

OSBDM Circuit

USB Mini B Connector

MC9S08JM60

Voltage Translation

OSBDM/JTAG Header

Sheet 6

LEDs

Sheet 6

MIC

Sheet 6

IRQ

Sheet 6

Motor Control Board Connector

Auxiliary Connector

Sheet 5

UART

JM60 Translators

JM60 Source Selectors

Sheet 4

PC56F82748MLH

Sheet 6

Thermistors

Headers & LP Filters

Sheets 4, 5

Power Supply Circuits

VSSA/VDDA filter

Sheet 4

Crystal

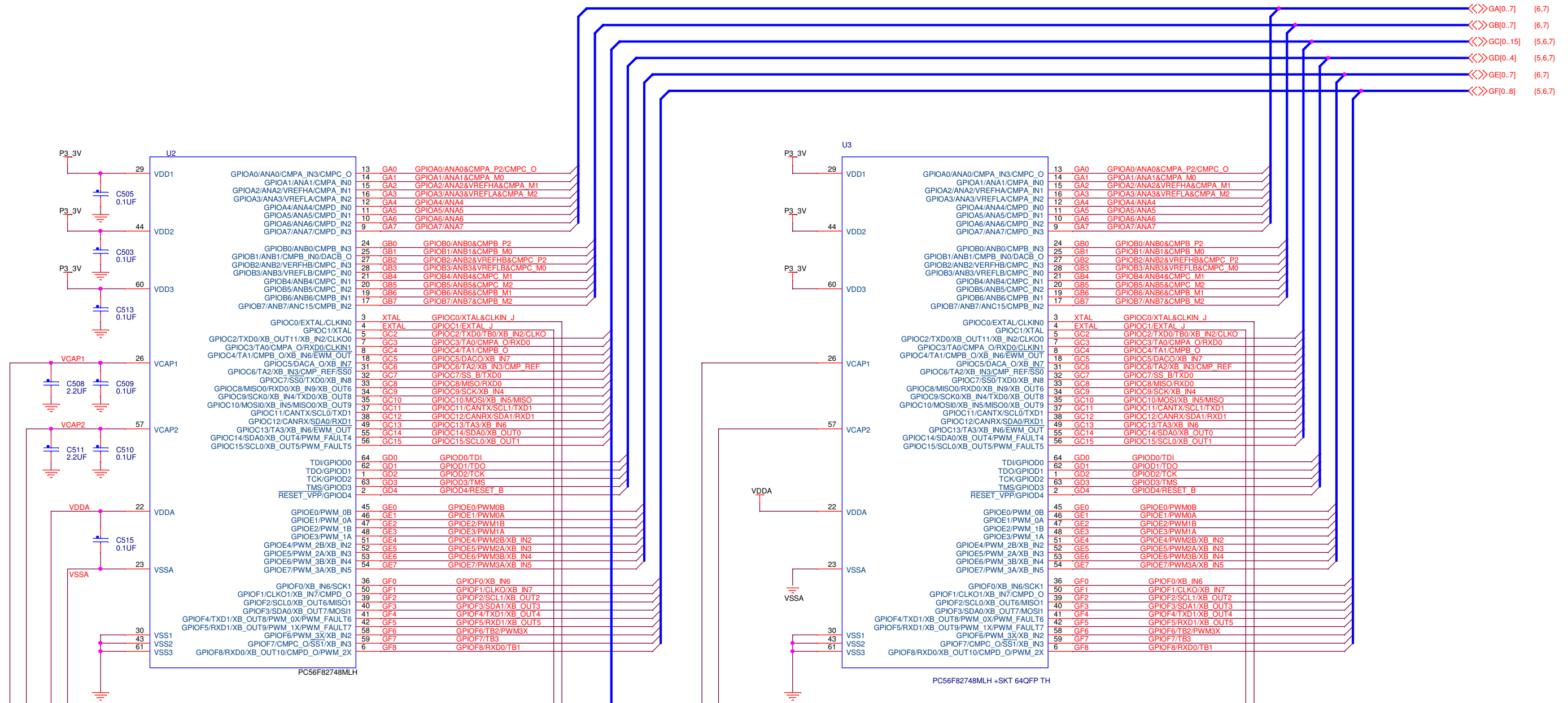
Sheet 6

CAN Transceiver Header

Sheet 7

Elevator Connectors

The DSC footprint and the ZIF socket are concentric on the board. Boards are built with a surface mounted DCS or with the DSC in the socket - not both.



This ZIF Socket is populated only on prototype boards

Crystal circuit is an uninstalled user option.

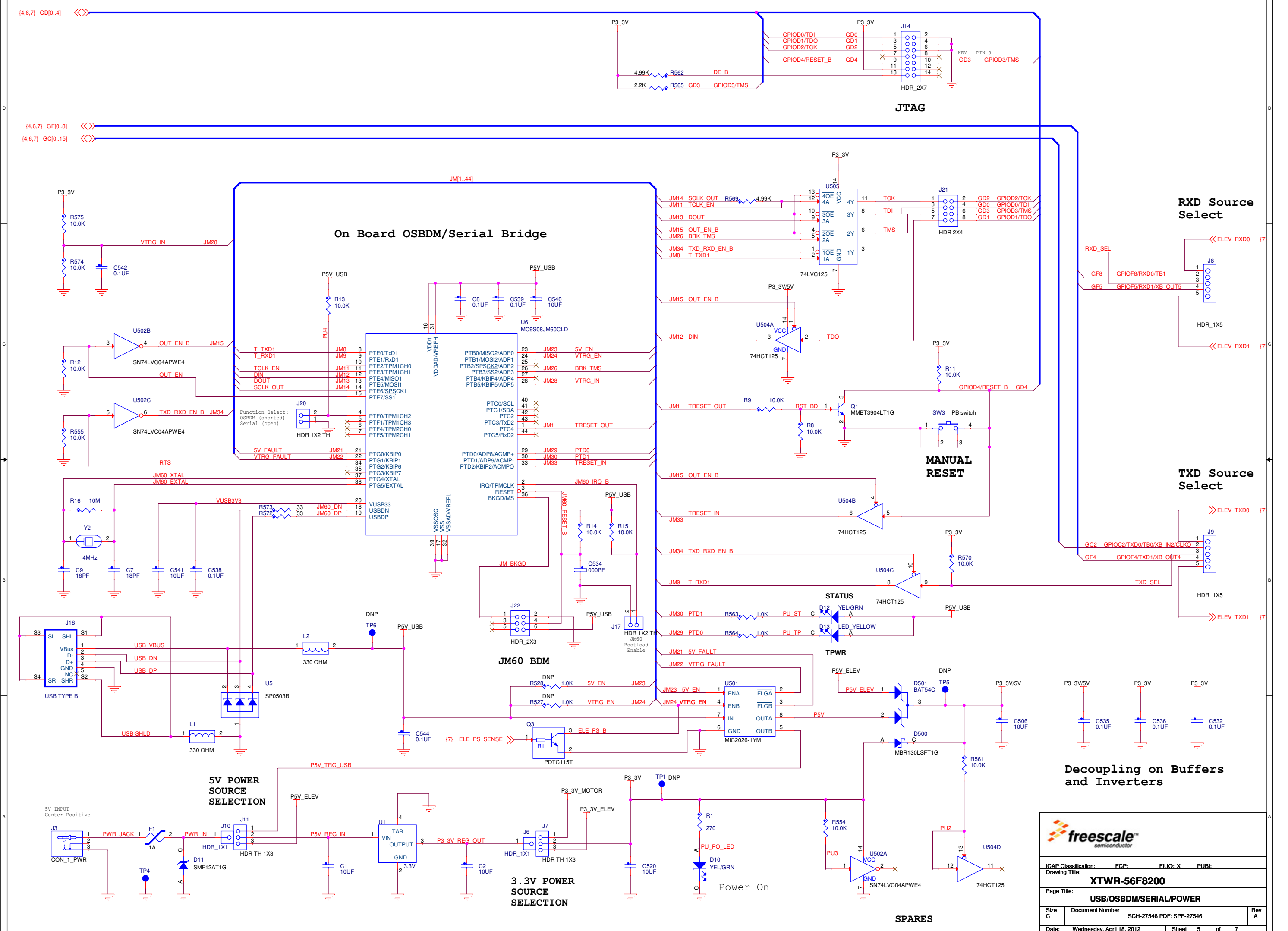
Citizen
HCM49-8.000MABJ-UT

freescale
semiconductor

ICAP Classification: FCP: FIUC: X PUBL:
Drawing Title: **XTWR-56F8200**
Page Title: **DSC & ZIF Socket**

Size C	Document Number SCH-27546 PDF: SPF-27546	Rev A
--------	--	-------

Date: Wednesday, April 18, 2012 Sheet 4 of 7



freescale
semiconductor

ICAP Classification: FCP: FIUC: X PUBL:

Drawing Title: **XTWR-56F8200**

Page Title: **USB/OSBDM/SERIAL/POWER**

Size C	Document Number SCH-27546 PDF: SPF-27546	Rev A
--------	--	-------

Date: Wednesday, April 18, 2012 Sheet 5 of 7

(4,7) GA[0..7] <<>
 (4,7) GB[0..7] <<>
 (4,5,7) GC[0..15] <<>
 (4,5,7) GD[0..4] <<>
 (4,7) GE[0..7] <<>
 (4,5,7) GF[0..8] <<>

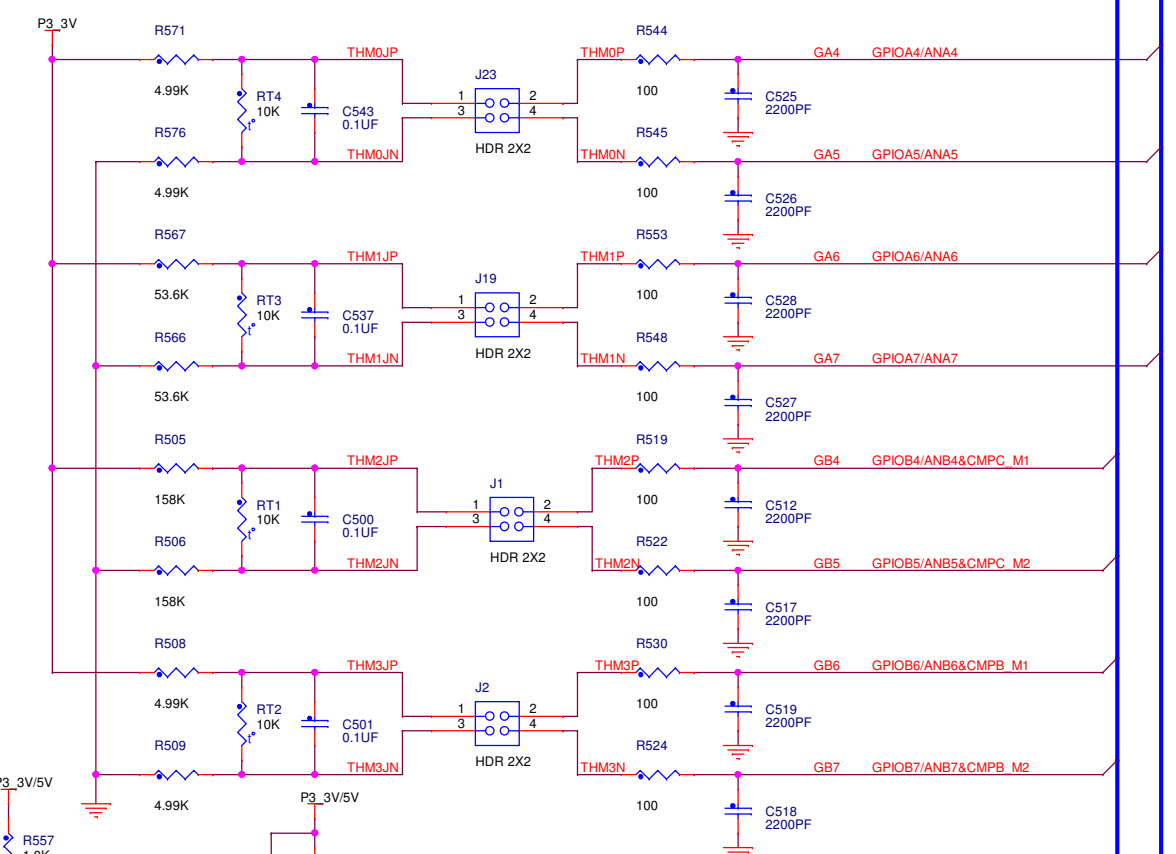
90C to -20C
 Vdiff ~ 0.305V
 to 3.001V
 (Ta=25C 1.650V)
 Use Gain = 1

Vdiff ~ 0.031V
 to 1.539V
 (Ta=25C 0.282V)
 Use Gain <= 2

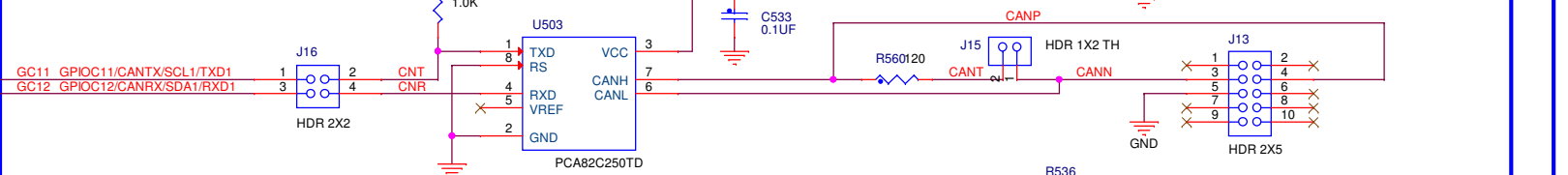
Vdiff ~ 10.4mV
 to 793.3mV
 (Ta=25C 101.2mV)
 Use Gain <= 4

Vdiff ~ 0.305V
 to 3.001V
 (Ta=25C 1.650V)
 Use Gain = 1

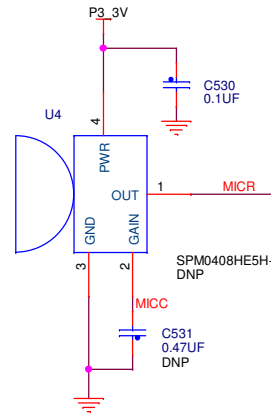
Thermistors



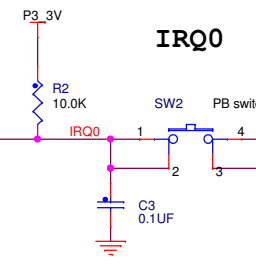
CAN



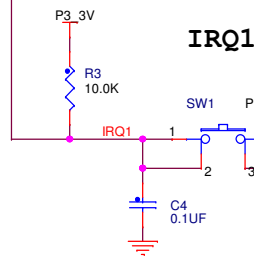
MIC



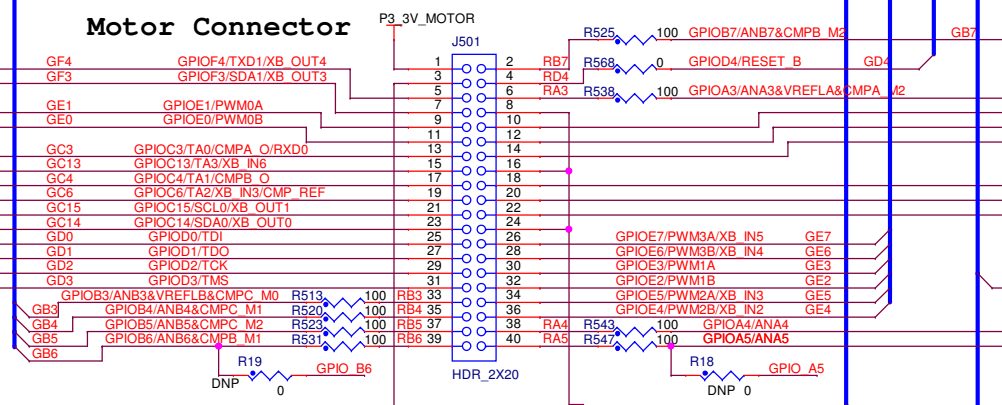
IRQ0



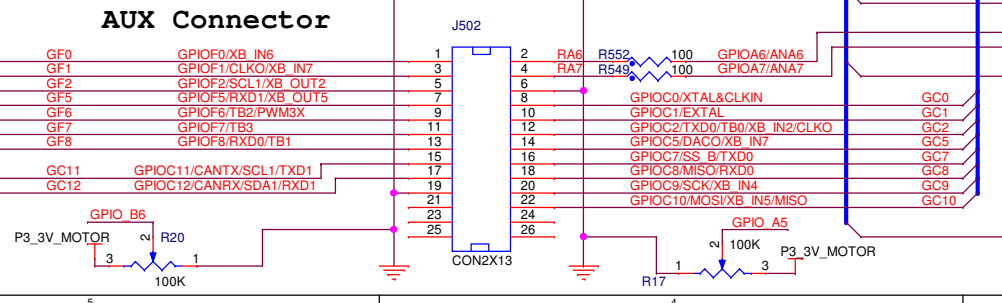
IRQ1



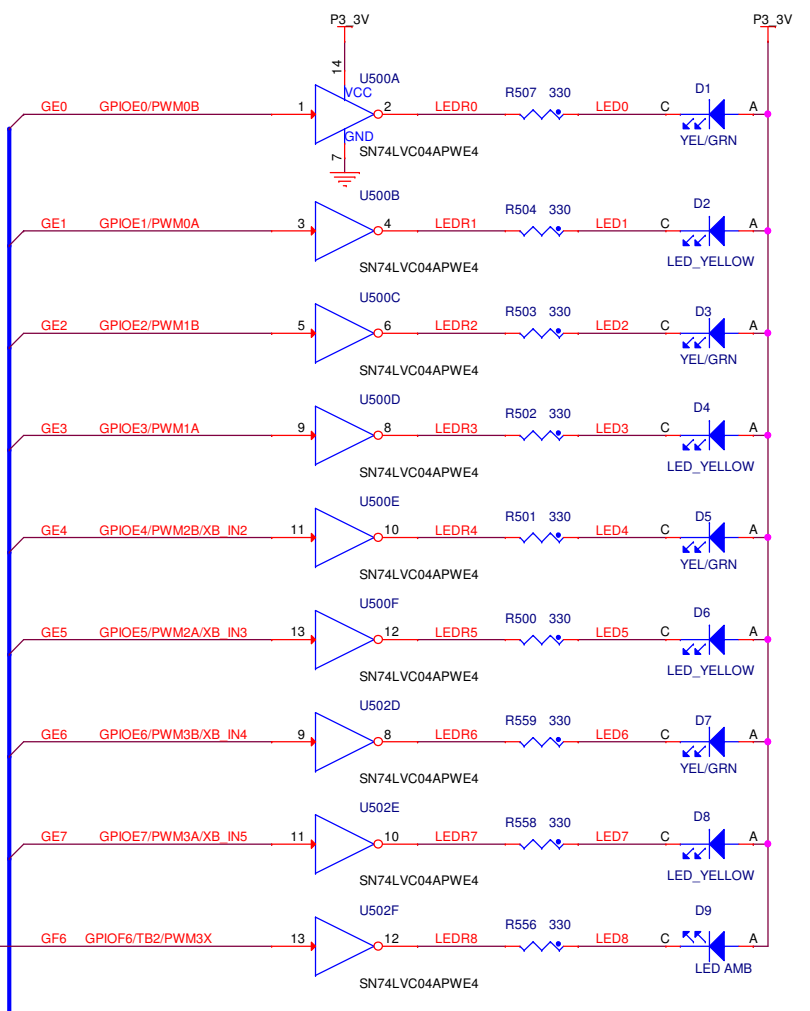
Motor Connector



AUX Connector



LEDs



freescale
 semiconductor

ICAP Classification: FCP: FIUC: X PUBL:
 Drawing Title: **XTWR-56F8200**
 Page Title: **Peripherals & Motor Connect**

Size C	Document Number SCH-27546 PDF: SPF-27546	Rev A
Date: Wednesday, April 18, 2012	Sheet 6 of 7	

