

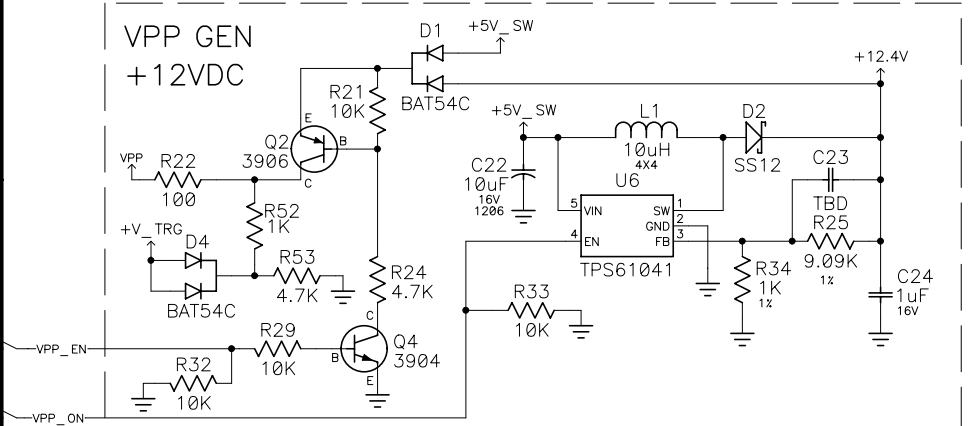
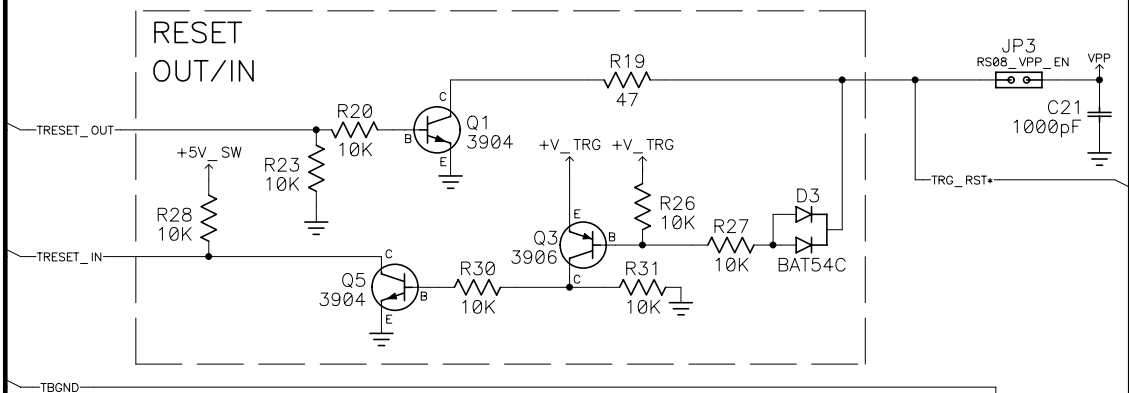
APPROVALS		DATE	TITLE	
DRAWN		GLG	JM60 OSBDM	
CHECKED		RF	SIZE	DWG. NO.
FINISH			B	DOC-0451-030
			SCALE	REV
				B
			SHEET 1 OF 2	



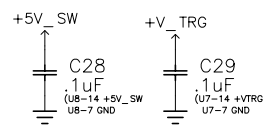
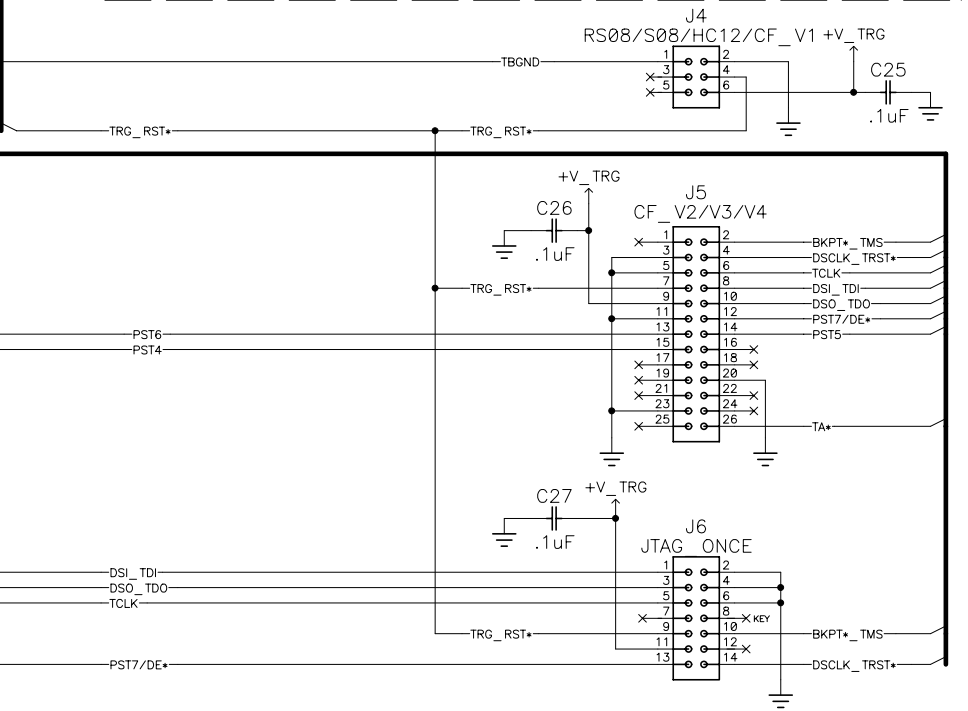
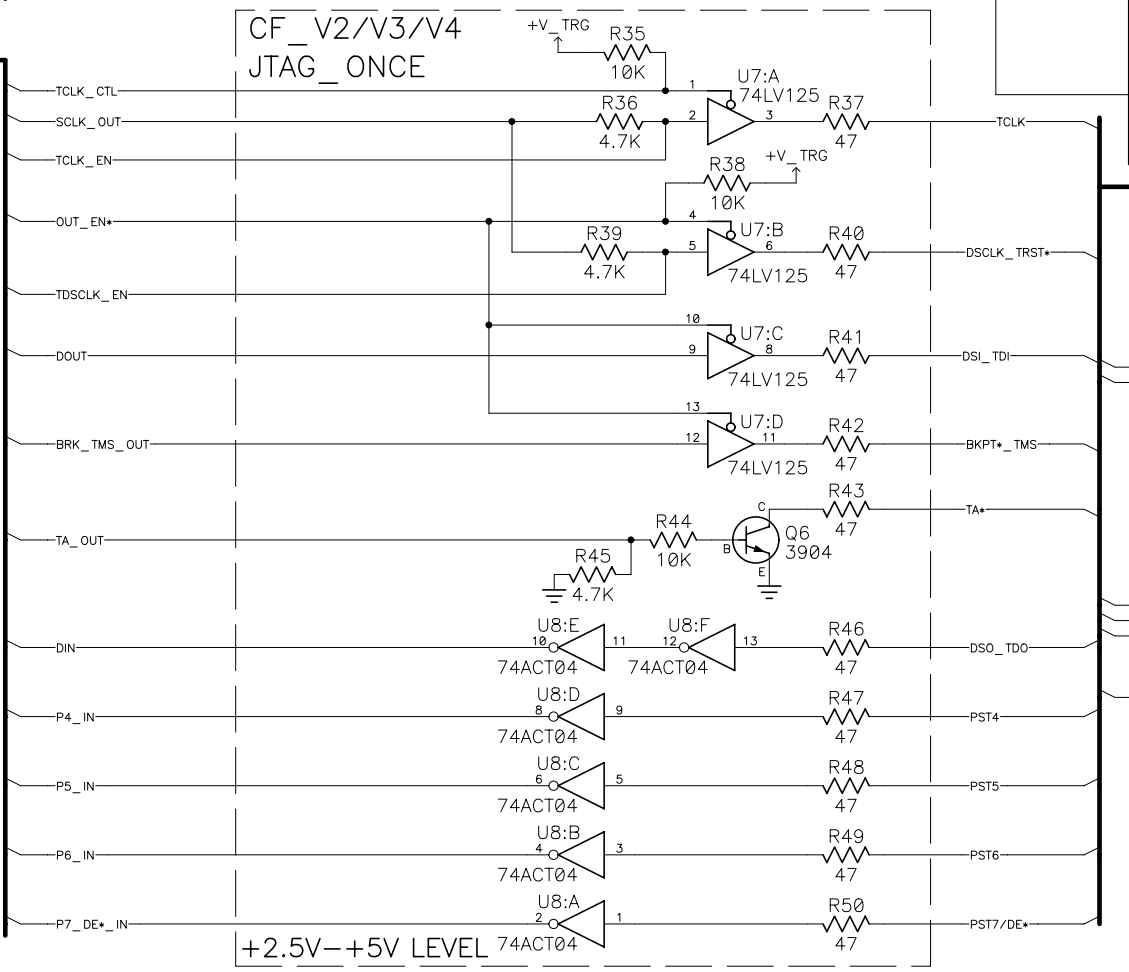
AXIOM
manufacturing

AXM-0451

SHEET1 CF234_VTAG



SHEET1 TBGND_TRESET



APPROVALS		DATE	TITLE	
DRAWN	GLG	082908	JM60 OSBDM AXM-0451	
CHECKED	RF	030708	SIZE	DWG. NO.
FINISH			B	DOC-0451-030
			SCALE	REV
				B
			SHEET 2 OF 2	

