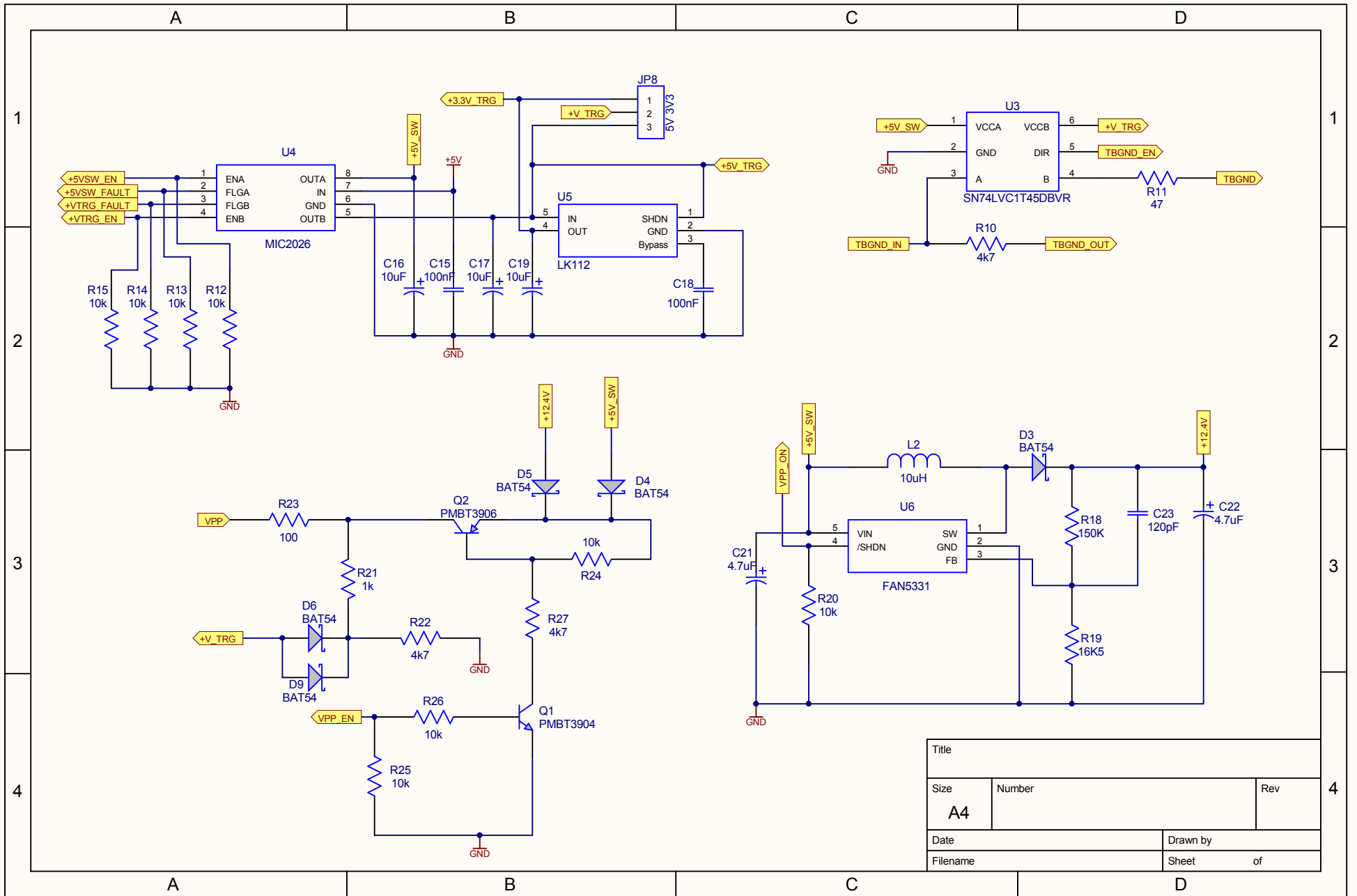
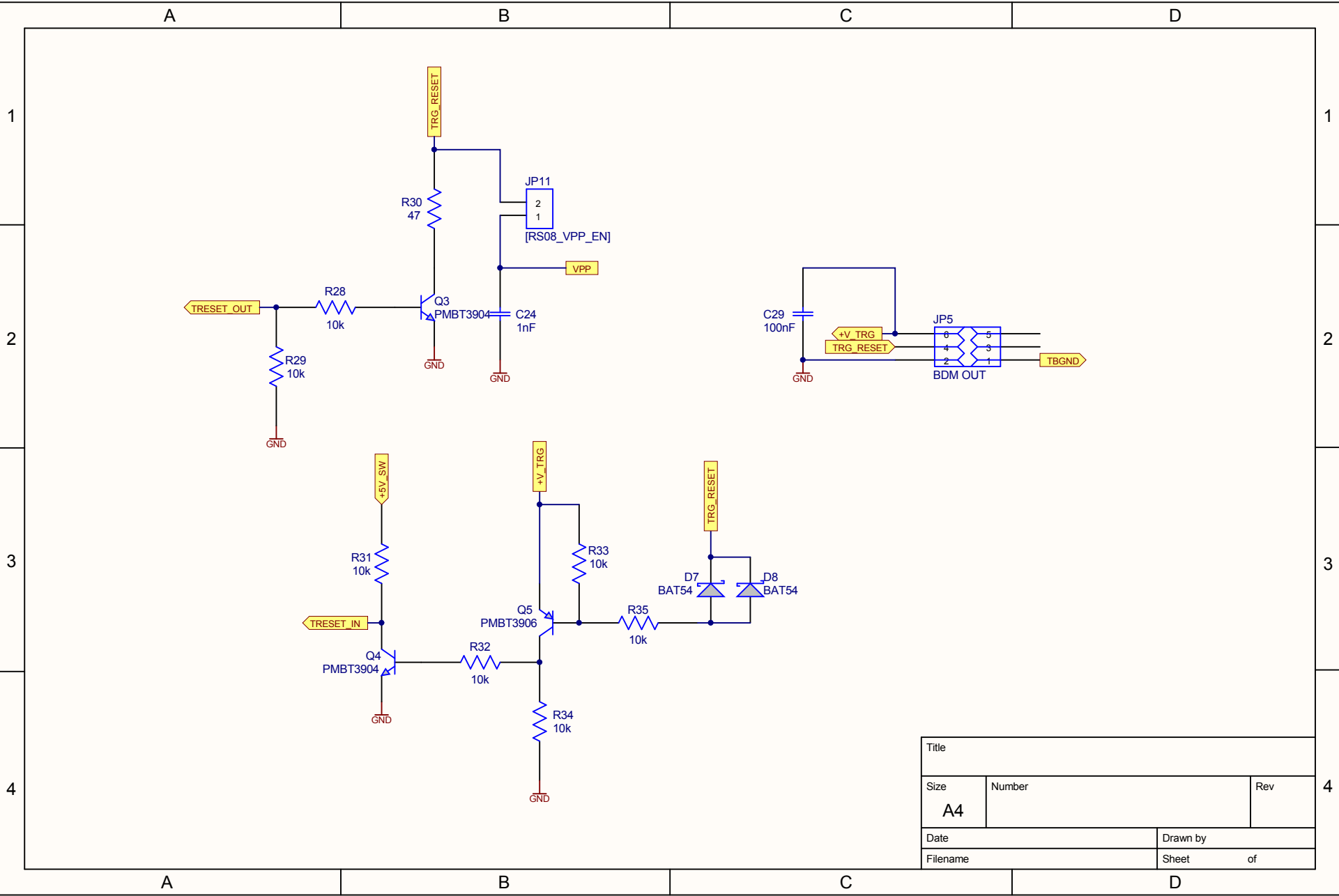


Title		
Size	Number	Rev
<b>A4</b>		
Date		Drawn by
Filename		Sheet of



Title		
Size	Number	Rev
<b>A4</b>		
Date		Drawn by
Filename		Sheet of



Title		
Size	Number	Rev
<b>A4</b>		
Date		Drawn by
Filename	Sheet	of

1

2

3

4

5

6

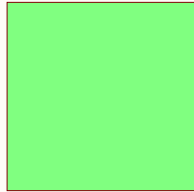
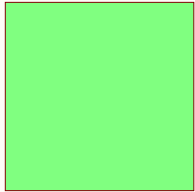
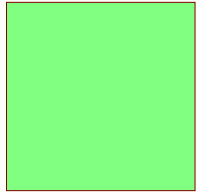
A

A

EBDM MCU  
EBDM Ver1.1 MCU.SCHDOC

EBDM Fuentes  
EBDM Ver1.1 Fuentes.SCHDOC

EBDM Debug  
EBDM Ver1.1 Debug.SCHDOC



B

B

C

C

D

D

Title		
Size	Number	Revision
A4		
Date:	10/02/2017	Sheet of
File:	\\WBOXSVR\temp\EBDM\First_Sheet.SCHDOC Drawn By:	

1

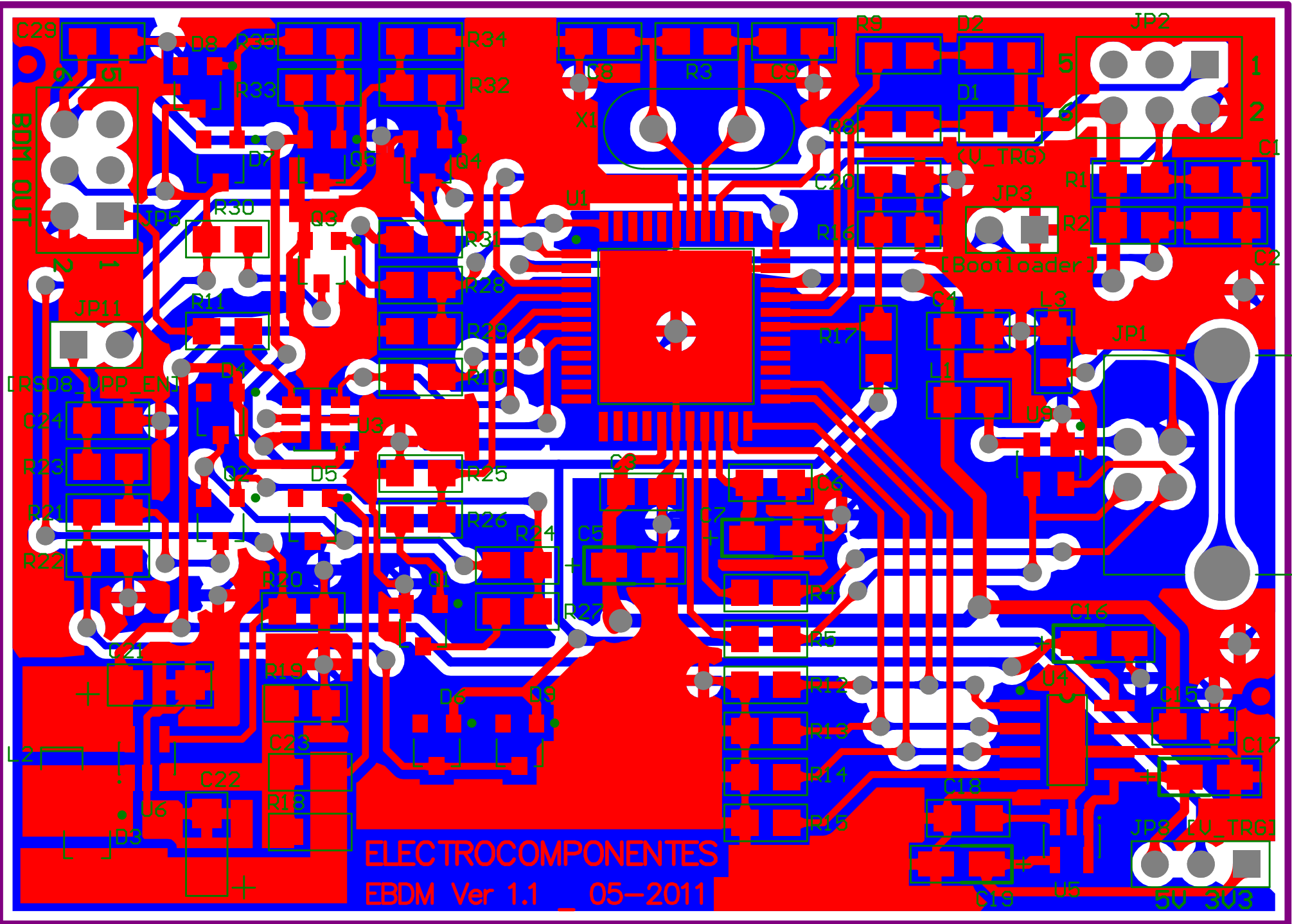
2

3

4

5

6



ELECTROCOMPONENTES  
EBDM Ver 1.1 \_ 05-2011

