


Table of Contents

1	Title Page
2	Notes
3	

Revisions

Rev	Description	Date	Approved
X1	Original Release	Nov-8-2013	A. INZUNZA
A	Production Release	Dec-2-2013	A. INZUNZA
B	Production Release	Feb-21-2013	A. INZUNZA
C	USB Power Fix	May-15-2013	A. INZUNZA

		Microcontroller Solutions Group 6501 William Cannon Drive West Austin, TX 78752-8689	
<small>This document contains information proprietary to Freescale Semiconductor and shall not be used for engineering design, procurement or manufacture in whole or in part without the express written permission of Freescale Semiconductor.</small>			
Designer: A. INZUNZA		ICAP Classification: FOP: FUK: X PUB:	
Drawing Title: A. INZUNZA		TRK-KEA64	
Drawn by: A. INZUNZA		Page Title: TITLE PAGE	
Approved: APPROVER		Size C	Document Number SCH-28199 PDF: SPF-28199
Date: Wednesday, August 06, 2014		Sheet 1	of 5

1. Unless Otherwise Specified:

All resistors are in ohms, 5%, 1/8 Watt

All capacitors are in uF, 20%, 50V

All voltages are DC

All polarized capacitors are aluminum electrolytic

2. Interrupted lines coded with the same letter or letter combinations are electrically connected.

3. Device type number is for reference only. The number varies with the manufacturer.

4. Special signal usage:

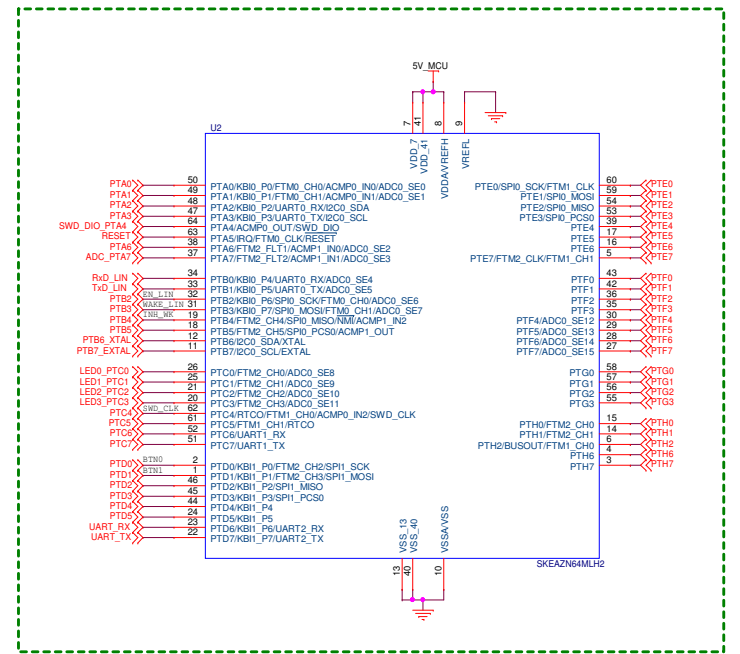
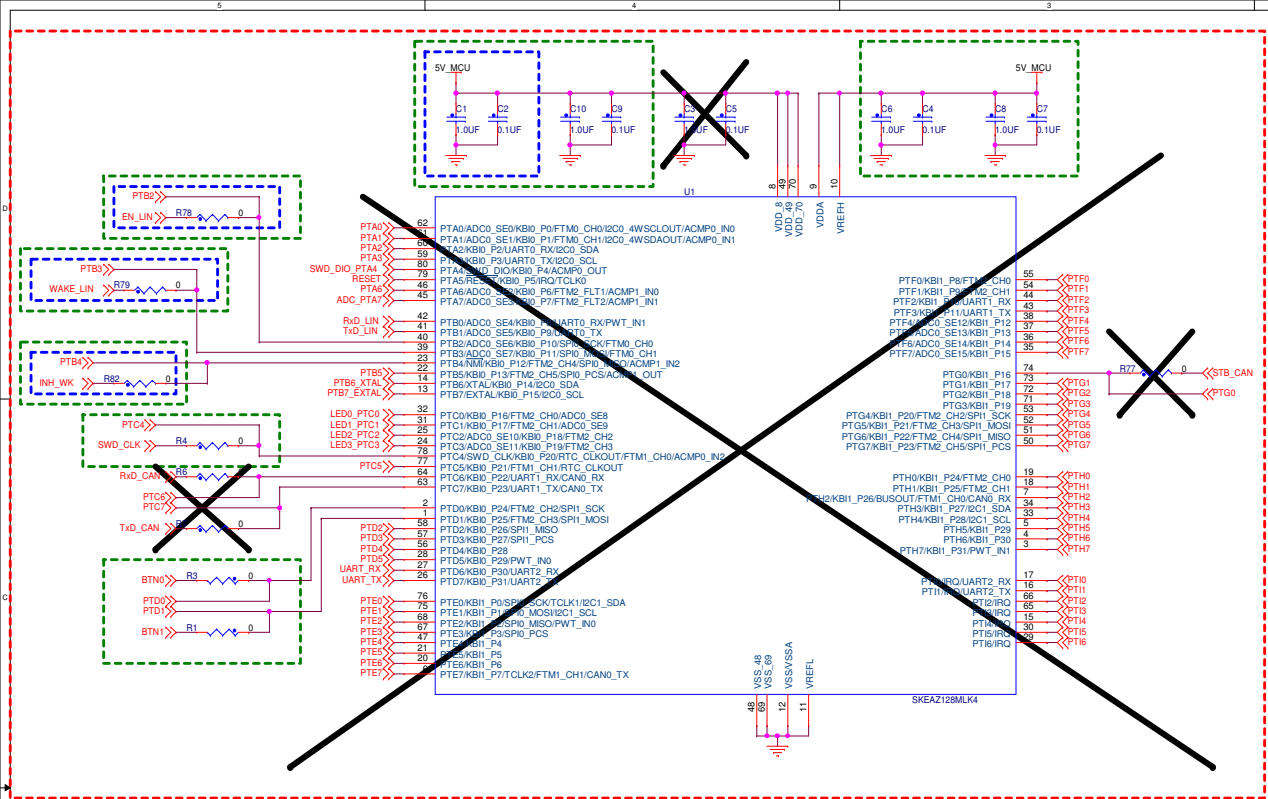
_B Denotes - Active-Low Signal

<> or [] Denotes - Vectored Signals

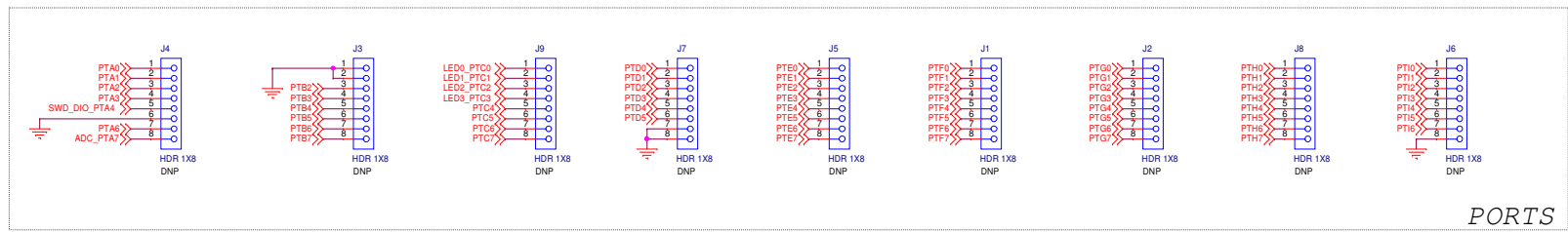
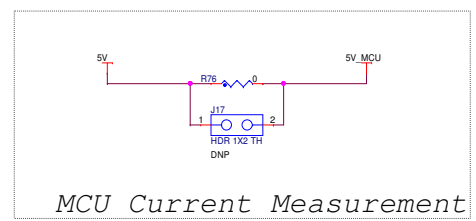
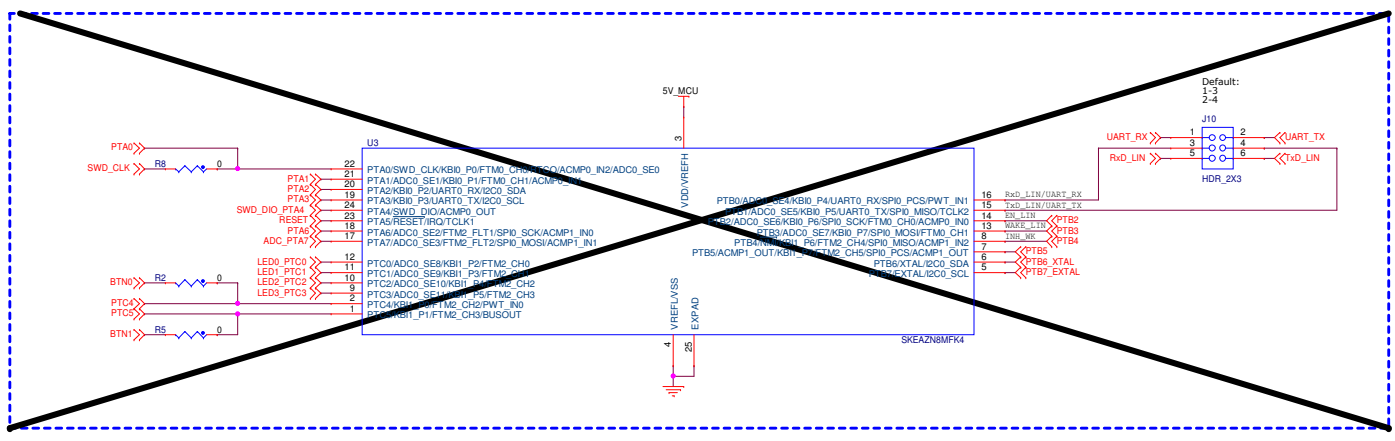
5. Interpret diagram in accordance with American National Standards Institute specifications, current revision, with the exception of logic block symbology.



ICAP Classification:		FCP:	FIUC: X	PUBL:
Drawing Title:		TRK-KEA64		
Page Title:		NOTES		
Size	Document Number	SCH-28199 PDF: SPF-28199		Rev
C				D
Date:	Wednesday, August 06, 2014	Sheet	2	of 5



- Populated with KEA8
- Populated with KEA64
- Populated with KEA128



PORTS

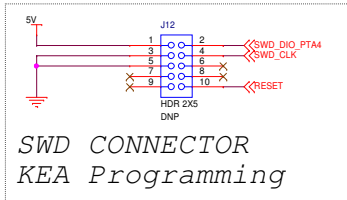
freescale
semiconductor

ICAP Classification: FCP: FIUC: X PUBL:
Drawing Title: **TRK-KEA64**

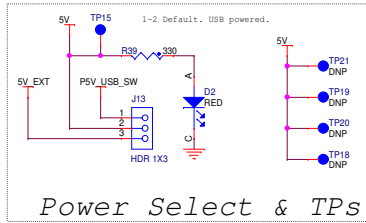
Page Title: **MCUs**

Size C	Document Number SCH-28199 PDF: SPF-28199	Rev D
--------	--	-------

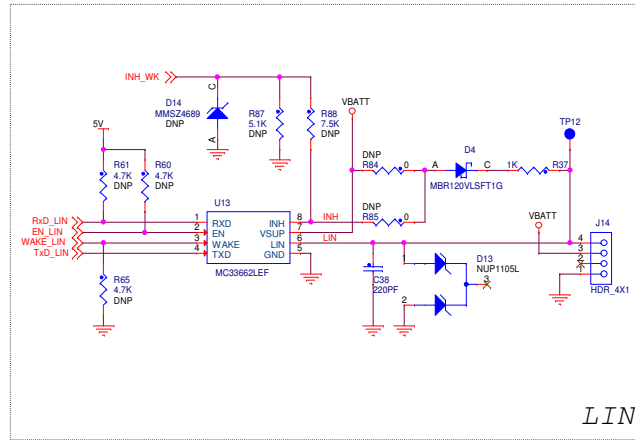
Date: Wednesday, August 06, 2014 Sheet 3 of 5



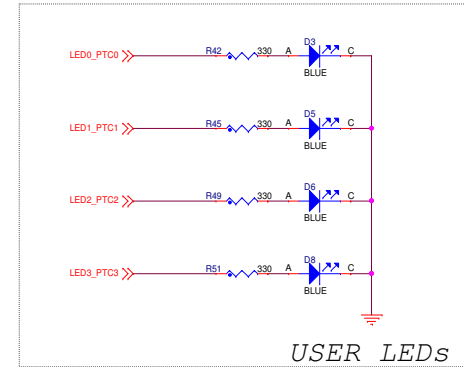
SWD CONNECTOR
KEA Programming



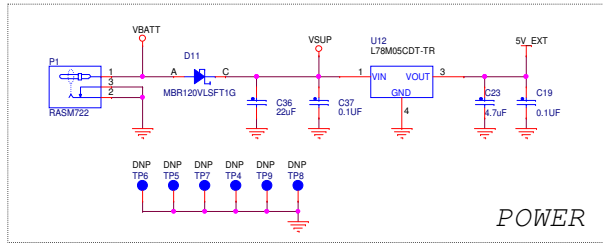
Power Select & TPs



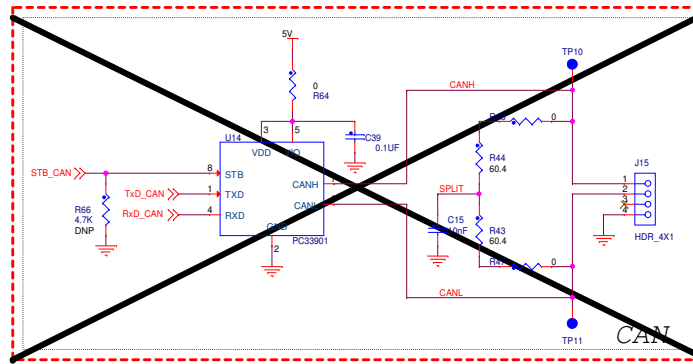
LIN



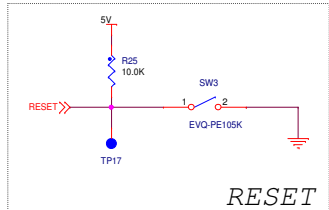
USER LEDs



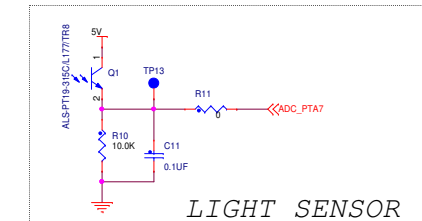
POWER



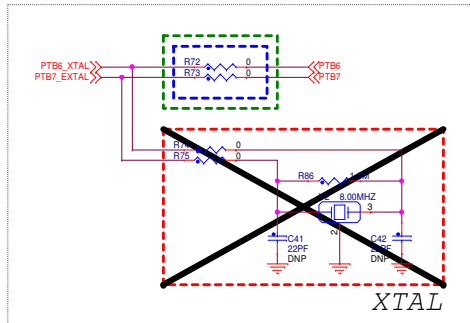
CAN



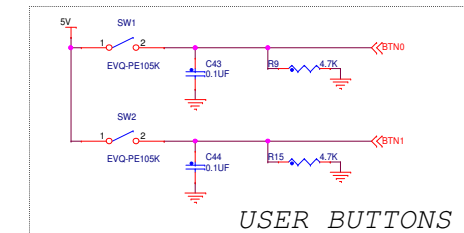
RESET



LIGHT SENSOR

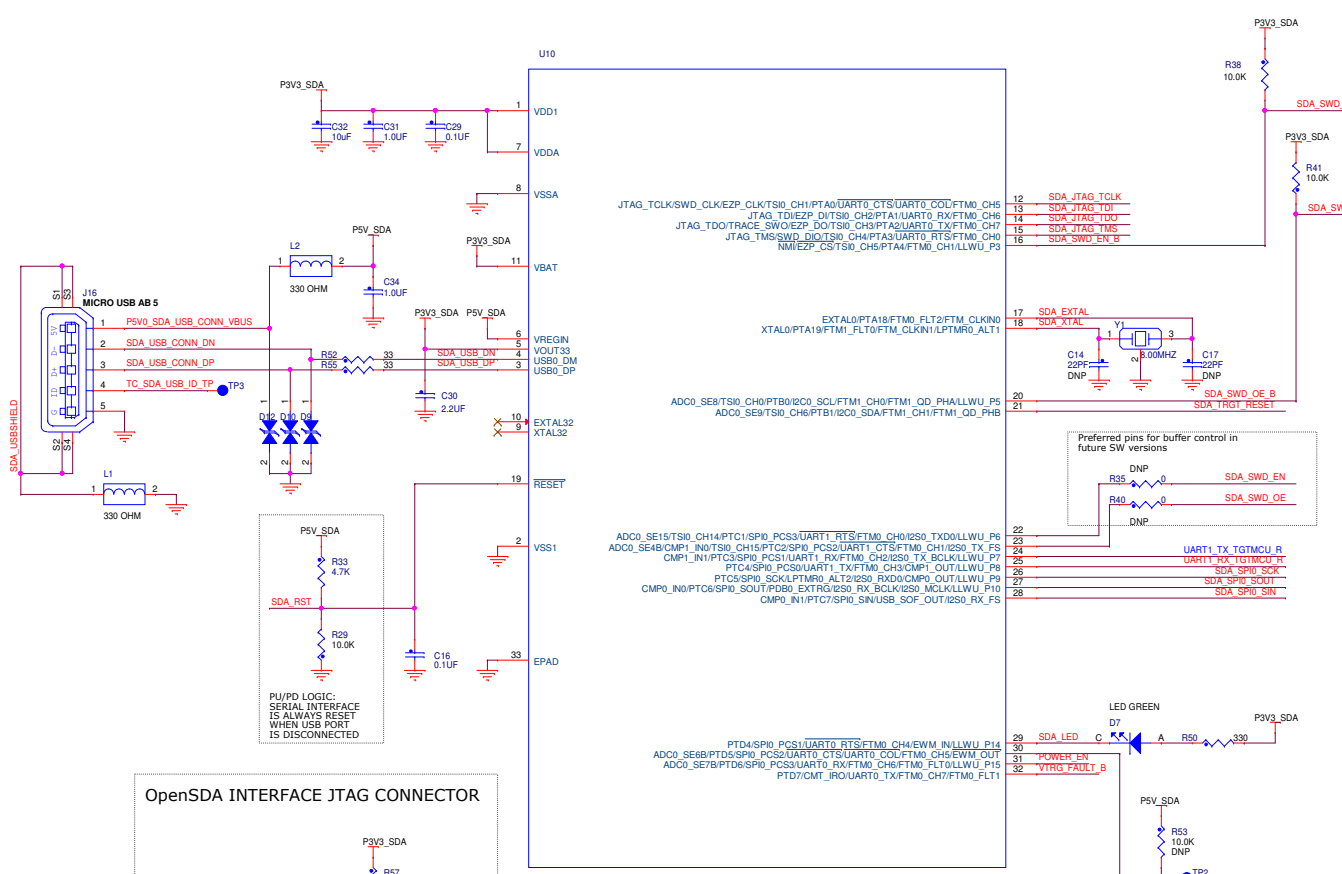


XTAL

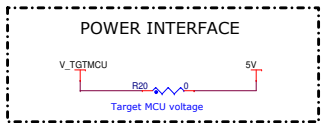
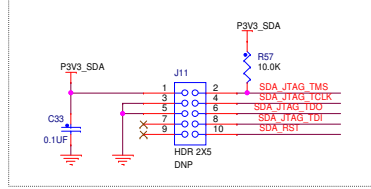


USER BUTTONS





OpenSDA INTERFACE JTAG CONNECTOR



PWR SWITCH
(To enable 5v from USB connector)

