

S32K1xx Series Cookbook

Software examples and startup code to exercise microcontroller features

1 Introduction

This application note provides software examples and describes necessary startup steps needed to help users get started with S32K1xx series MCUs.

Complete source code and projects are available in a separate zip file at nxp.com. Projects are implemented using NXP's S32 Design Studio version and tested on the S32K144 evaluation board version S32K144EVB-Q100. To access the projects in the zip file, either:

- S32 Design Studio: use File - Import and select the zip file. (With this option you can only import the projects mentioned in this AN)
- Refer to the Chapter 6 to import the examples mentioned here, and additional examples for the S32K14x and S32K11x.

These examples and others are also ported to ARM[®] Keil[™] MDK tools. See ARMKeil Application Note 304 at http://www.keil.com/appnotes/docs/apnt_304.asp for further information.

Contents

1	Introduction	1
2	Software examples	2
2.1	Hello World	4
2.2	Hello World + Clocks	6
2.3	Hello World + Interrupts	11
2.4	DMA	16
2.5	Timed I/O (FTM)	22
2.6	ADC - SW Trigger	28
2.7	UART	33
2.8	SPI	38
2.9	CAN 2.0	43
2.10	CAN FD	53
2.11	Additional examples and documentation	64
3	Startup code	65
3.1	S32 Design Studio, S32K14x flash target	65
4	Header files cheat sheet	66
5	Adding projects	67
6	S32K1xx Series Cookbook Repository	67
6.1	Import projects from S32K1xx Series Cookbook Repository	67
7	Revision history	69



2 Software examples

The table below lists the examples in this application note. The three Hello World examples are intended to be base projects that can be copied and code added to create a new project.

Table 1. List of examples

Example	Programs	Summary
Hello World	hello	Simplest project: <ul style="list-style-type: none"> • Configure GPIO • Output to LED follows switch input
Hello World + Clocks	hello_clocks	Perform common initialization for clocks and LPIT: <ul style="list-style-type: none"> • Initialize System Oscillator (SOSC) for 8 MHz crystal • Initialize SPLL with 8 MHz SOSC input to provide 80 MHz clock • Change Normal RUN mode clock from default FIRC to 160 MHz SPLL (before dividers) • Initialize LPIT channel to count 40M clocks (1 second timeout) • Toggle output to LED every LPIT timeout
Hello World + Clocks + Interrupts	hello_clocks_interrupts	The Hello World + Clock example is modified to service the PIT channel timeout with an interrupt service route: <ul style="list-style-type: none"> • Initialize system clock to 80 MHz • Initialize an LPIT channel for 1 second timeout and enable its interrupt • Wait forever • At LPIT timeout interrupt, toggle output to LED
DMA	eDMA	Transfer a string of bytes to a single byte location: <ul style="list-style-type: none"> • Initialize a Transfer Control Descriptor (TCD) • Use software (instead of peripheral DMA requests) to initiate transfers
Timed I/O (FTM)	FTM	Perform common timed I/O functions with FTM: <ul style="list-style-type: none"> • Module counter initialization • Pulse Width Modulation • Output Compare • Input Capture
ADC - SW Trigger	ADC	Perform simple analog to digital conversions using software trigger: <ul style="list-style-type: none"> • Initialize ADC for SW trigger, continuous mode • Loop: <ul style="list-style-type: none"> - Convert channel connected to pot on evaluation board - Scale result to 0 to 5000 mV - Light evaluation board LEDs to reflect voltage level - Convert channel connected to the ADC high reference voltage
UART	UART	Transmit and receive characters: <ul style="list-style-type: none"> • Initialize UART for 9600 baud, 1 stop, no parity • Loop: <ul style="list-style-type: none"> - Transmit string, then a prompt character on new line - When character is received, echo it back
SPI	LPSPi	Transmit and receive a SPI frame: <ul style="list-style-type: none"> • Initialize LPSPi for 1M Baud, PCS3 which is connected to SPC on EVB • Wait for Tx FIFO to have at least one available slot then issue transmit • Wait for Rx FIFO to have at least one received frame then read data

Table 1. List of examples

Example	Programs	Summary
CAN 2.0	FlexCAN	Transmit and receive an eight byte CAN 2.0 message at 500 KHz: <ul style="list-style-type: none"> • Initialize FlexCAN and Message Buffer 4 to receive a message • Transmit one frame using Message Buffer 0 • Loop: <ul style="list-style-type: none"> - If Message Buffer 4 received message flag is set, read message - If Message Buffer 0 transmit done flag is set, transmit another message
CAN FD	FlexCAN_FD	Transmit and receive a 64 byte CAN FD message at 500 KHz and 1 or 2 MHz: <ul style="list-style-type: none"> • Initialize FlexCAN and Message Buffer 4 to receive a message • Transmit one frame using Message Buffer 0 Loop: <ul style="list-style-type: none"> - If Message Buffer 4 received message flag is set, read message - If Message Buffer 0 transmit done flag is set, transmit another message

If using the S32K148EVB, many I/O ports used in the application note examples are different. See Table 2 for a summary.

Table 2. Summary of application note examples I/O port differences for S32K148 EVB

I/O	S32K144 EVB	S32K148 EVB
Blue LED	PTD0	<i>PTE21</i>
Green LED	PTD16	<i>PTE22</i>
Red LED	PTD15	<i>PTE23</i>
BTN 0	PTC12 (SW2)	PTC12 (SW3)
FTM0 Channel 0 ¹	PTD15 (Red LED)	PTD15 (<i>no LED</i>)
FTM0 Channel 1	PTD16 (Green LED)	PTD16 (<i>no LED</i>)
FTM0 Channel 6	PTE8	PTE8
Potentiometer to ADC	PTC14 (ADC Channel 12)	<i>PTC28 (ADC channel 28)</i>
UART1_RX	PTC6	PTC6
UART1_TX	PTC7	PTC7
LPSPI1_SOUT	PTB16	<i>PTA27</i>
LPSPI1_SIN	PTB15	<i>PTA29</i>
LPSPI1_PCSx	PTB17 PCS3 (to UJA1169)	<i>PTA26 PCS0 (to UJA1132)</i>
LPSPI1_SCK	PTB14	<i>PTA28</i>
CAN0_TX	PTE5	PTE5
CAN0_RX	PTE4	PTE4

¹ For LED connections to FTM example with PWM outputs, use FTM4 instead of FTM0.

2.1 Hello World

2.1.1 Description

Summary: This short project is a starting point to learn GPIO. An input is polled to detect a high or low level. An output is set depending on input state. If running code on the S32K14x evaluation board, pressing button 0 lights up the blue LED per the diagram below.

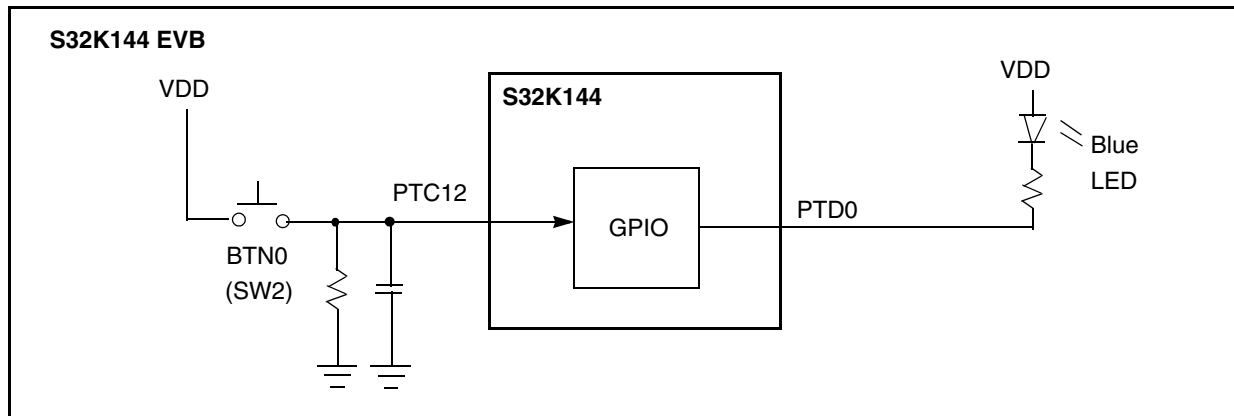


Figure 1. Hello World block diagram

2.1.2 Design

- Initialization before main:
 - Define interrupt addresses (such as Reset_Handler) and flash configuration
 - Initialize stack pointer, registers
 - Disable watchdog if configured
 - Initialize vector table
 - Copy variables from ROM to RAM and zero out data section (.bss)
 - Unmask interrupts
- Disable watchdog
- Enable clocks to GPIO modules and configure GPIO ports:
 - PTC12: GPIO input (goes to BTN 0 on evaluation board)
 - PTD0: GPIO output (goes to blue LED)
- Loop:
 - If BTN0 is pressed (input = 1),
 - Turn LED on (output = 0)
 - else (input = 0)
 - Turn LED off (output = 1)

2.1.3 Code

2.1.3.1 hello.c

```

#include "S32K144.h" /* include peripheral declarations S32K144 */

#define PTD0 0 /* Port PTD0, bit 0: FRDM EVB output to blue LED */
#define PTC12 12 /* Port PTC12, bit 12: FRDM EVB input from BTN0 [SW2] */

void WDOG_disable (void){
    WDOG->CNT=0xD928C520; /*Unlock watchdog*/
    WDOG->TOVAL=0x0000FFFF; /*Maximum timeout value*/
    WDOG->CS = 0x00002100; /*Disable watchdog*/
}

int main(void) {
    int counter = 0;
    WDOG_disable();

    /* Enable clocks to peripherals (PORT modules) */
    PCC-> PCCn[PCC_PORTC_INDEX] = PCC_PCCn_CGC_MASK; /* Enable clock to PORT C */
    PCC-> PCCn[PCC_PORTD_INDEX] = PCC_PCCn_CGC_MASK; /* Enable clock to PORT D */
    /* Configure port C12 as GPIO input (BTN 0 [SW2] on EVB) */
    PTC->PDDR &= ~(1<<PTC12); /* Port C12: Data Direction= input (default) */
    PORTC->PCR[12] = 0x0000110; /* Port C12: MUX = GPIO, input filter enabled */
    /* Configure port D0 as GPIO output (LED on EVB) */
    PTD->PDDR |= 1<<PTD0; /* Port D0: Data Direction= output */
    PORTD->PCR[0] = 0x0000100; /* Port D0: MUX = GPIO */

    for(;;) {
        if (PTC->PDIR & (1<<PTC12)) { /* If Pad Data Input = 1 (BTN0 [SW2] pushed) */
            PTD->PCOR |= 1<<PTD0; /* Clear Output on port D0 (LED on) */
        }
        else { /* If BTN0 was not pushed */
            PTD->PSOR |= 1<<PTD0; /* Set Output on port D0 (LED off) */
        }
        counter++;
    }
}

```

2.2 Hello World + Clocks

2.2.1 Description

Summary: This project provides common initialization for clocks and an LPIT channel counter function. Core clock is set to 80 MHz. LPIT0 channel 0 is configured to count one second of SPLL clocks. Software polls the channel's timeout flag and toggles the GPIO output to the LED when the flag sets.

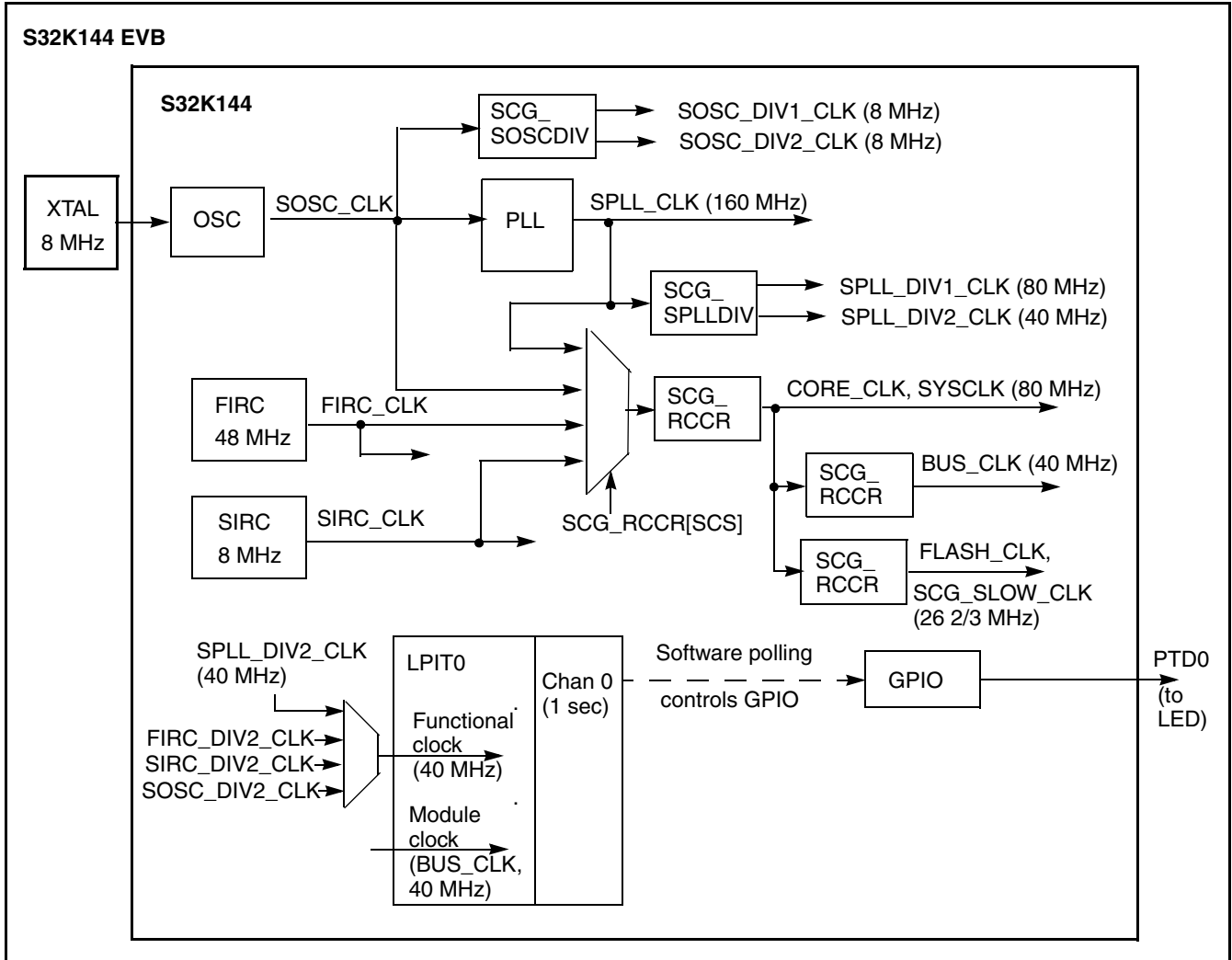


Figure 2. Hello World + Clocks block diagram

Table 3. Clocks, divider requirements and common configurations

Clock	Divider Requirements	Slow RUN (typically with FIRC)	Normal RUN (with SPLL)	High Speed RUN (with SPLL)	Very Low Power RUN, VLPR (with SIRC or SOSC)
CORE_CLK, SYS_CLK	DIVCORE: • \geq BUS_CLK	48 MHz	80 MHz (max)	112 MHz (max)	4 MHz
BUS_CLK	DIVBUS: • CORE_CLK divided by integer	48 MHz	40 MHz (max)	56 MHz (max)	4 MHz
FLASH_CLK, SCG_SLOW_CLK	DIVSLOW: • CORE_CLK divided by integer • CORE_CLK / FLASH_CLK = 8 max.	24 MHz	26 2/3 MHz (max)	28 MHz (max)	1 MHz

Clock frequencies and relationships are summarized above in Table 2. Dividers for CORE_CLK, SYS_CLK, BUS_CLK and FLASH_CLK must be initialized before switching the new clock. Dividers will not have the new values until the clock switch is made.

2.2.2 Design

- Initialize port pins:
 - Enable clock to Port D module
 - PTD0: GPIO output (goes to blue LED)
- Initialize system oscillator (SOSC) for 8 MHz crystal
 - Initialize desired SOSC dividers
 - Configure range, high gain, reference
 - Ensure SOSC Control and Status register is unlocked
 - Enable SOSC in SOSC Control and Status register
 - Wait for SOSC to be valid
- Initialize System PLL (SPLL) to 160 MHz using 8 MHz SOSC
 - Ensure SPLL is disable to allow configuration
 - Initialized desired SPLL dividers
 - Initialize PLL Ref Clk Divider and Sys PLL Multiplier¹
 - $f_{pll} = f_{osc} / \text{PLL Ref Clk Divider} \times \text{Sys PLL Multiplier} / 2 = 8 \text{ MHz} / 1 \times 20 / 2 = 160 \text{ MHz}$
 - Ensure SPLL Control and Status register is unlocked
 - Enable SPLL in SPLL Control and Status register
 - Wait for SPLL to be valid
- Initialize LPIT0 channel 0:
 - Enable clock source of SPLL_DIV2_CLK
 - Enable clock to LPIT0 registers

1. VCO output frequency, has a minimum of 180 MHz and maximum of 320 MHz per S32K1xx Data Sheet rev. 1.0

Software examples

- Enable LPIT0 module
- Initialize channel 0:
 - Timeout = 1 second of clocks
 - Set Mode to 32 bit counter and enable channel 0
- Change Normal RUN mode clock to SPLL
 - Initialize clock dividers for CORE, BUS and FLASH for new target clock frequency
 - Switch system clock input to SPLL (160 MHz before dividers)
- Loop:
 - Wait for LPIT0 channel 0 flag
 - Increment counter, toggle PTD0 GPIO output and clear channel flag

2.2.3 Code

2.2.3.1 hello_clocks.c

```
#include "S32K144.h"           /* include peripheral declarations S32K144 */
#include "clocks_and_modes.h"

int lpit0_ch0_flag_counter = 0; /* LPIT0 timeout counter */

void PORT_init (void) {
    PCC->PCCn[PCC_PORTD_INDEX] = PCC_PCCn_CGC_MASK; /* Enable clock for PORT D */
    PTD->PDDR |= 1<<0;           /* Port D0: Data Direction= output */
    PORTD->PCR[0] = 0x00000100; /* Port D0: MUX = ALT1, GPIO (to blue LED on EVB) */
}

void LPIT0_init (void) {
    PCC->PCCn[PCC_LPIT_INDEX] = PCC_PCCn_PCS(6); /* Clock Src = 6 (SPLL2_DIV2_CLK)*/
    PCC->PCCn[PCC_LPIT_INDEX] |= PCC_PCCn_CGC_MASK; /* Enable clk to LPIT0 regs */
    LPIT0->MCR = 0x00000001; /* DBG_EN=0: Timer chans stop in Debug mode */
                          /* DOZE_EN=0: Timer chans are stopped in DOZE mode */
                          /* SW_RST=0: SW reset does not reset timer chans, regs */
                          /* M_CEN=1: enable module clk (allows writing other LPIT0 regs)*/
    LPIT0->TMR[0].TVAL = 40000000; /* Chan 0 Timeout period: 40M clocks */
    LPIT0->TMR[0].TCTRL = 0x00000001; /* T_EN=1: Timer channel is enabled */
                          /* CHAIN=0: channel chaining is disabled */
                          /* MODE=0: 32 periodic counter mode */
                          /* TSOT=0: Timer decrements immediately based on restart */
                          /* TSOI=0: Timer does not stop after timeout */
                          /* TROT=0 Timer will not reload on trigger */
                          /* TRG_SRC=0: External trigger source */
                          /* TRG_SEL=0: Timer chan 0 trigger source is selected*/
}
}
```



```
void WDOG_disable (void){
    WDOG->CNT=0xD928C520;    /*Unlock watchdog*/
    WDOG->TOVAL=0x0000FFFF; /*Maximum timeout value*/
    WDOG->CS = 0x00002100;   /*Disable watchdog*/
}

int main(void) {
    WDOG_disable();
    PORT_init();           /* Configure ports */
    SOSC_init_8MHz();      /* Initialize system oscillator for 8 MHz xtal */
    SPLL_init_160MHz();    /* Initialize sysclk to 160 MHz with 8 MHz SOSC */
    NormalRUNmode_80MHz(); /* Init clocks: 80 MHz sysclk & core, 40 MHz bus, 20 MHz flash */
    LPIT0_init();         /* Initialize PIT0 for 1 second timeout */

    for (;;) {
        /* Toggle output to LED every LPIT0 timeout */
        while (0 == (LPIT0->MSR & LPIT_MSR_TIF0_MASK)) {} /* Wait for LPIT0 CH0 Flag */
        lpit0_ch0_flag_counter++; /* Increment LPIT0 timeout counter */
        PTD->PTOR |= 1<<0; /* Toggle output on port D0 (blue LED) */
        LPIT0->MSR |= LPIT_MSR_TIF0_MASK; /* Clear LPIT0 timer flag 0 */
    }
}
```

2.2.3.2 clocks_and_modes.c

```

#include "S32K144.h"          /* include peripheral declarations S32K144 */
#include "clocks_and_modes.h"

void SOSC_init_8MHz(void) {
    SCG->SOSCDIV=0x00000101; /* SOSCDIV1 & SOSCDIV2 =1: divide by 1 */
    SCG->SOSCCFG=0x00000024; /* Range=2: Medium freq (SOSC between 1MHz-8MHz)*/
                          /* HGO=0: Config xtal osc for low power */
                          /* EREFS=1: Input is external XTAL */
    while(SCG->SOSCCSR & SCG_SOSCCSR_LK_MASK); /* Ensure SOSCCSR unlocked */
    SCG->SOSCCSR=0x00000001; /* LK=0: SOSC_CSR can be written */
                          /* SOSCCMRE=0: OSC CLK monitor IRQ if enabled */
                          /* SOSCCM=0: OSC CLK monitor disabled */
                          /* SOSCERCLKEN=0: Sys OSC 3V ERCLK output clk disabled */
                          /* SOSCLPEN=0: Sys OSC disabled in VLP modes */
                          /* SOSCSTEN=0: Sys OSC disabled in Stop modes */
                          /* SOSCEEN=1: Enable oscillator */
    while(!(SCG->SOSCCSR & SCG_SOSCCSR_SOSCVLD_MASK)); /* Wait for sys OSC clk valid */
}

void SPLL_init_160MHz(void) {
    while(SCG->SPLLCSR & SCG_SPLLCSR_LK_MASK); /* Ensure SPLLCSR unlocked */
    SCG->SPLLCSR = 0x00000000; /* SPLLEN=0: SPLL is disabled (default) */
    SCG->SPLLDIV = 0x00000302; /* SPLLDIV1 divide by 2; SPLLDIV2 divide by 4 */
    SCG->SPLLCFG = 0x00180000; /* PREDIV=0: Divide SOSC_CLK by 0+1=1 */
                          /* MULT=24: Multiply sys pll by 4+24=40 */
                          /* SPLL_CLK = 8MHz / 1 * 40 / 2 = 160 MHz */
    while(SCG->SPLLCSR & SCG_SPLLCSR_LK_MASK); /* Ensure SPLLCSR unlocked */
    SCG->SPLLCSR = 0x00000001; /* LK=0: SPLL_CSR can be written */
                          /* SPLL_CMR=0: SPLL CLK monitor IRQ if enabled */
                          /* SPLL_CCM=0: SPLL CLK monitor disabled */
                          /* SPLL_STEN=0: SPLL disabled in Stop modes */
                          /* SPLLEN=1: Enable SPLL */
    while(!(SCG->SPLLCSR & SCG_SPLLCSR_SPLLVLD_MASK)); /* Wait for SPLL valid */
}

void NormalRUNmode_80MHz (void) { /* Change to normal RUN mode with 8MHz SOSC, 80 MHz PLL*/
    SCG->RCCR=SCG_RCCR_SCS(6) /* PLL as clock source*/
    |SCG_RCCR_DIVCORE(0b01) /* DIVCORE=1, div. by 2: Core clock = 160/2 MHz = 80 MHz*/
    |SCG_RCCR_DIVBUS(0b01) /* DIVBUS=1, div. by 2: bus clock = 40 MHz*/
    |SCG_RCCR_DIVSLOW(0b10); /* DIVSLOW=2, div. by 3: SCG slow, flash clock= 26 2/3 MHz*/
    while (((SCG->CSR & SCG_CSR_SCS_MASK) >> SCG_CSR_SCS_SHIFT) != 6) {}
                          /* Wait for sys clk src = SPLL */
}

```

2.3 Hello World + Interrupts

2.3.1 Description

Summary: This project is same as the prior one, except an interrupt is implemented to handle the timer flag. Instead of software polling the timer flag, the interrupt handler clears the flag and toggles the output. The timeout is again one second using SPLLDIV2_CLK for the LPIT0 timer clock.

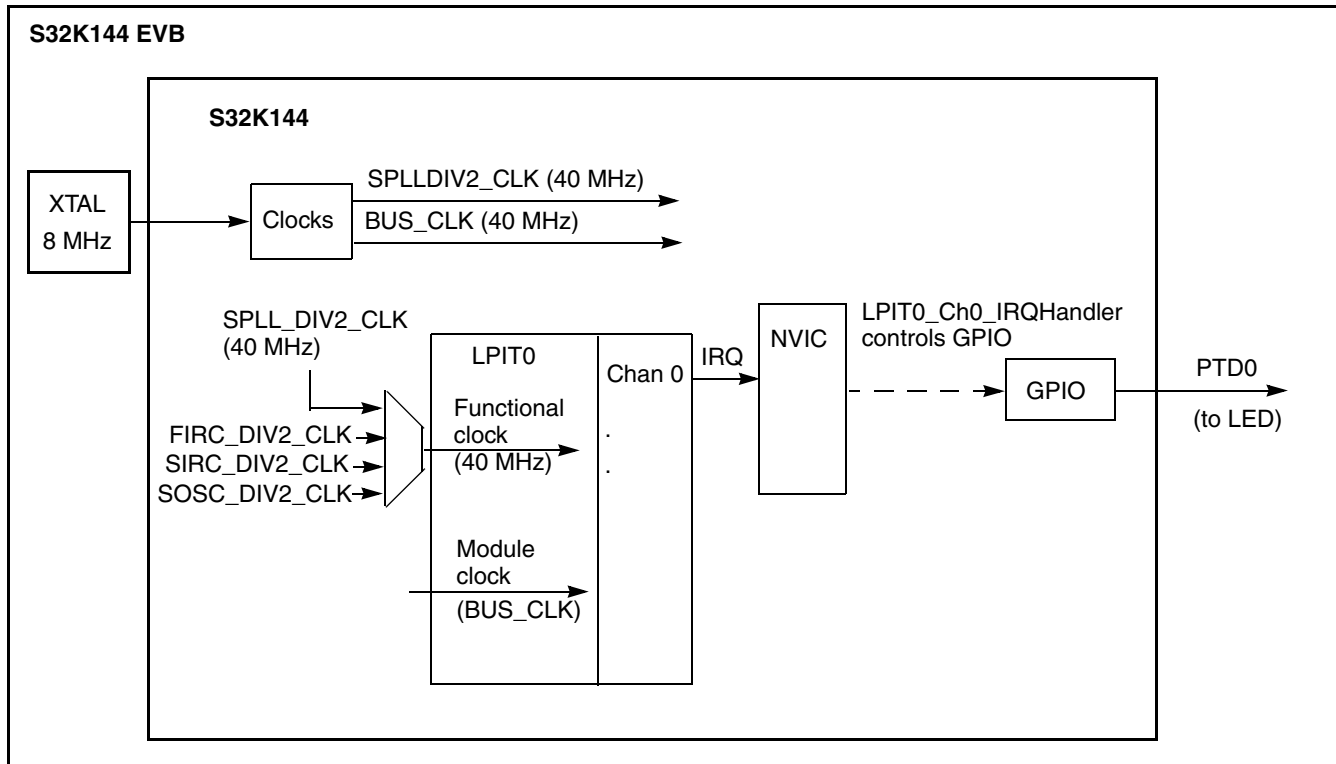


Figure 3. Hello World + Interrupts block diagram

To initialize an interrupt three writes to the NVIC are taken in this example:

- Clear any prior pending interrupt (in case there was one)
 - Write a 1 to the interrupt # bit in Interrupt Clear Pending Register (ICPR)
- Enable the desired interrupt #
 - Write a 1 to the interrupt # bit in the Interrupt Set Enable Register (ISER)
- Set the interrupt's priority
 - Write a priority from 0 to 15 to the appropriate Interrupt Priority register (IP)

Software examples

The following table shows the vectors used by core at reset. Exceptions 1 through 15 are core exceptions. Exception 15 and above are for peripherals, DMA and software interrupts.

Table 4. S32K144 Vector Table (example using S32 Design Studio)

Address	Contents in Big Endian memory view	Contents as Little Endian format addresses ¹	Vector #	IRQ # (NVIC interrupt source)	Symbol in file startup_S32K144.S, section .isr_vector, __isr_vector	Description
0x0000 0000	0070 0020	2000 7000	0		__StackTop	Initial stack pointer
0x0000 0004	1104 0000	0000 4010	1		Reset_Handler	Initial Program Counter
0x0000 0008	4D04 0000	0000 044C	2		NMI_Handler	Non-maskable IRQ (NMI) Vector
0x0000 000C	4D04 0000	0000 044C	3		HardFault_Handler	Hard Fault Vector
0x0000 0010	4D04 0000	0000 044C	4		MemManage_Handler	MemManage Fault Vector
0x0000 0014	4D04 0000	0000 044C	5		BusFault_Handler	Bus Fault Vector
0x0000 0018	4D04 0000	0000 044C	6		UsageFault_Handler	Usage Fault Vector
0x0000 001C	0000 0000	0000 0000	7		0	- Not Used -
0x0000 0020	0000 0000	0000 0000	8		0	- Not Used -
0x0000 0024	0000 0000	0000 0000	9		0	- Not Used -
0x0000 0028	0000 0000	0000 0000	10		0	- Not Used -
0x0000 002C	4D04 0000	0000 044C	11		SVC_Handler	Supervisor call (SVC) Vector
0x0000 0030	4D04 0000	0000 044C	12		DebugMon_Handler	Debug Monitor
0x0000 0034	0000 0000	0000 0000	13		0	- Not Used -
0x0000 0038	4D04 0000	0000 044C	14		PendSV_Handler	Pendable request for system service (PendableSrvReq) Vector
0x0000 003C	4D04 0000	0000 044C	15		SysTick_Handler	Sys tick timer (Sys Tick) Vector
0x0000 0040	4D04 0000	0000 044C	16	0	DMA0_IRQHandler	Interrupt # 0 Vector: DMA Channel 0 transfer complete
0x0000 0044	4D04 0000	0000 044C	17	1	DMA1_IRQHandler	Interrupt # 1 Vector DMA Channel 0 transfer complete
0x0000 0048	4D04 0000	0000 044C	18	2	DMA2_IRQHandler	Interrupt # 2 Vector DMA Channel 0 transfer complete
etc.						
0X0000 0100	5906 0000	0000 0658	64	48	LPIT0_Ch0_IRQHandler	Interrupt #48 Vector: LPIT0 Ch. 0
etc. for the rest of the vectors.						

¹ Big Endian addresses have the least significant bit =1 for ARM™ Thumb architecture. For ease of reading vector addresses, this bit has been set to zero in this column.

2.3.2 Design

- Initialize port pins:
 - Enable clock to Port D module
 - PTD0: GPIO output (goes to blue LED)
- Initialize system oscillator (SOSC) for 8 MHz crystal:
 - Initialize desired SOSC dividers
 - Configure range, high gain, reference
 - Ensure SOSC Control and Status register is unlocked
 - Enable SOSC in SOSC Control and Status register
 - Wait for SOSC to be valid
- Initialize System PLL (SPLL) to 160 MHz using 8 MHz SOSC:
 - Ensure SPLL is disable to allow configuration
 - Initialized desired SPLL dividers
 - Initialize PLL Ref Clk Divider and Sys PLL Multiplier ¹
 - $F_{pll} = F_{osc} / \text{PLL Ref Clk Divider} \times \text{Sys PLL Multiplier} / 2 = 8 \text{ MHz} / 1 \times 40 / 2 = 160 \text{ MHz}$
 - Ensure SPLL Control and Status register is unlocked
 - Enable SPLL in SPLL Control and Status register
 - Wait for SPLL to be valid
- Initialize LPIT0 channel 0:
 - Enable clock source of SPLL_DIV2_CLK
 - Enable clock to LPIT0 registers
 - Enable LPIT0 module
 - Initialize channel 0:
 - Enable channel's interrupt
 - Timeout = 1 second of clocks
 - Set Mode to 32 bit counter and enable channel 0
- Change Normal RUN mode clock to SPLL:
 - Initialize clock dividers for CORE, BUS and FLASH for new target clock frequency
 - Switch system clock input to SPLL (160 MHz before dividers)
- Loop: wait forever
- LPIT_0 Channel 0 Interrupt Handler:
 - Clear channel flag²
 - Increment counter
 - Toggle PTD0 GPIO output

1. VCO output frequency, has a minimum of 180 MHz and maximum of 320 MHz per S32K1xx Data Sheet rev. 1.0

2. To ensure interrupt flag clears before routine exit, perform a memory read-after-write such as `ctr++`. Reference: S32K14x Series Reference Manual, Rev. 1, 08/2016, section 3.4.1 and <http://www.keil.com/support/docs/3928.htm>

2.3.3 Code

2.3.3.1 hello_interrupts.c

```

#include "S32K144.h"          /* include peripheral declarations S32K144 */
#include "clocks_and_modes.h"

int idle_counter = 0;        /* main loop idle counter */
int lpit0_ch0_flag_counter = 0; /* LPIT0 chan 0 timeout counter */

void NVIC_init_IRQs (void) {
    FSL_NVIC->ICPR[1] = 1 << (48 % 32); /* IRQ48-LPIT0 ch0: clr any pending IRQ*/
    FSL_NVIC->ISER[1] = 1 << (48 % 32); /* IRQ48-LPIT0 ch0: enable IRQ */
    FSL_NVIC->IP[48] = 0x0A;           /* IRQ48-LPIT0 ch0: priority 10 of 0-15*/
}

void PORT_init (void) {
    PCC->PCCn[PCC_PORTD_INDEX] = PCC_PCCn_CGC_MASK; /* Enable clock for PORT D */
    PTD->PDDR |= 1<<0; /* Port D0: Data Direction= output */
    PORTD->PCR[0] = 0x00000100; /* Port D0: MUX = ALT1, GPIO (to blue LED on EVB) */
}

void LPIT0_init (void) {
    PCC->PCCn[PCC_LPIT0_INDEX] = PCC_PCCn_PCS(6); /* Clock Src = 6 (SPLL2_DIV2_CLK)*/
    PCC->PCCn[PCC_LPIT0_INDEX] |= PCC_PCCn_CGC_MASK; /* Enable clk to LPIT0 regs */
    LPIT0->MCR = 0x00000001; /* DBG_EN=0: Timer chans stop in Debug mode */
                                /* DOZE_EN=0: Timer chans are stopped in DOZE mode */
                                /* SW_RST=0: SW reset does not reset timer chans, regs */
                                /* M_CEN=1: enable module clk (allow writing other LPIT0 regs) */
    LPIT0->MIER = 0x00000001; /* TIE0=1: Timer Interrupt Enabled fot Chan 0 */
    LPIT0->TVAL0 = 80000000; /* Chan 0 Timeout period: 80M clocks */
    LPIT0->TCTRL0 = 0x00000001; /* T_EN=1: Timer channel is enabled */
                                /* CHAIN=0: channel chaining is disabled */
                                /* MODE=0: 32 periodic counter mode */
                                /* TSOT=0: Timer decrements immediately based on restart */
                                /* TSOI=0: Timer does not stop after timeout */
                                /* TROT=0 Timer will not reload on trigger */
                                /* TRG_SRC=0: External trigger source */
                                /* TRG_SEL=0: Timer chan 0 trigger source is selected*/
}

void WDOG_disable (void){
    WDOG->CNT=0xD928C520; /*Unlock watchdog*/
    WDOG->TOVAL=0x0000FFFF; /*Maximum timeout value*/
    WDOG->CS = 0x00002100; /*Disable watchdog*/
}

```

```

int main(void) {
    WDOG_disable();
    PORT_init();           /* Configure ports */
    SOSC_init_8MHz();      /* Initialize system oscillator for 8 MHz xtal */
    SPLL_init_160MHz();    /* Initialize SPLL to 160 MHz with 8 MHz SOSC */
    NormalRUNmode_80MHz(); /* Init clocks: 80 MHz sysclk & core, 40 MHz bus, 20 MHz flash */
    NVIC_init_IRQs();     /* Enable desired interrupts and priorities */
    LPIT0_init();         /* Initialize PIT0 for 1 second timeout */

    for (;;) {
        idle_counter++;
    }
}

void LPIT0_Ch0_IRQHandler (void) {
    LPIT0->MSR |= LPIT_MSR_TIF0_MASK; /* Clear LPIT0 timer flag 0 */
    /* Perform read-after-write to ensure flag clears before ISR exit */
    lpit0_ch0_flag_counter++;        /* Increment LPIT0 timeout counter */
    PTD->PTOR |= 1<<0;               /* Toggle output on port D0 (blue LED) */
}

```

2.3.3.2 clocks_and_modes.c

See code in [clocks_and_modes.c](#) of the Hello World + Clock example.

2.4 DMA

2.4.1 Description

Summary: Initialize an eDMA channel's Transfer Control Descriptor (TCD) to transfer a string of bytes ("Hello world") from an array in SRAM to a single SRAM byte location. This emulates a common use of DMA, where a string of data or commands is transferred automatically under DMA control to an input register of a peripheral. The intent of this example is to illustrate how to set up a DMA transfer.

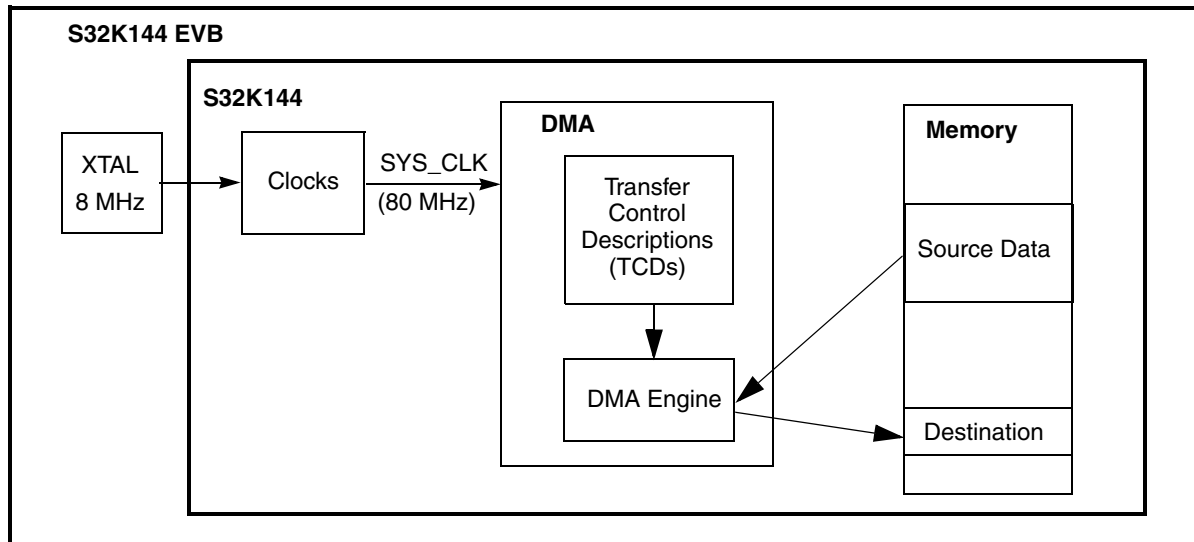


Figure 4. DMA example block diagram

The DMA MUX is required when using DMA with peripherals. Peripheral assignment numbers for mapping to a DMA channel are listed in the reference manual's attached spreadsheet `S32K1xx_DMA_Interrupt_mapping`, `DMA_CH_MUX` tab. For a software triggered transfer as in this example, DMA MUX is not required.

Interrupts, not used in this tutorial level example, are useful when all the desired transfers or half of them are complete. One use case is to have a peripheral like ADC generate a DMA request after a conversion completes. The DMA controller can automatically transfer the conversion result to SRAM. After a desired number of conversions, the DMA controller can generate an interrupt request for that channel.

Channel linking and scatter-gather (SGA) are advanced features that enable a DMA request to allow multiple different transfers on each DMA request, and/or to use a different TCD for each DMA request. These powerful features can be used with peripheral(s) to implement a state machine type sub-system. Example: An input signal generates a DMA request which transfers data to initialize multiple peripherals. Minor loop mapping is normally not used in MCU level applications, but can be powerful for graphics to rotate images in increments of 45 degrees.

Because a peripheral is not involved in this example, automatic DMA handshaking will not occur. Instead, the software handshaking given here must be implemented for each DMA request (minor loop transfer):

- Start DMA service request (set a START bit for desired channel).

- Wait for the minor loop transfer to complete by polling for START and ACTIVE status.
- Repeat above two steps until major loop is complete as indicated by DONE bit

These steps appear “messy” for every transfer, which is only a byte in this example. However, when using actual peripherals, software never has to do these steps; they are done automatically by hardware.

The START bit is normally set with hardware by the peripheral requesting service. Once the DMA processing engine activates the channel, the ACTIVE bit is set. If the DMA engine was busy servicing other channels, one could cancel the transfer by clearing the START bit. The ACTIVE bit would then need to be checked to ensure service did not start on that channel.

As an exercise, the TCD can be modified so the destination is an array instead of a single byte location. (Hint: declare the destination as a string and change DOFF=1.)

2.4.2 Design

2.4.2.1 DMA Transfer Control Descriptor (TCD)

TCDs describe the data to be transferred and how the transfer is controlled. Each TCD occupies eight 32-bit words in a RAM internal to the eDMA structure as summarized in the following figure and table.

Word Offset	0	1	2	3	4	5	6	7	8	9	10	11	12	13	14	15	16	17	18	19	20	21	22	23	24	25	26	27	28	29	30	31
0x1000	SADDR																															
0x1004	SMOD				SSIZE				DMOD				DSIZE				SOFF															
0x1008	NBYTES ¹																															
0x1008	SMLOE ¹	DMLOE ¹	MLOFF or NBYTES ¹																							NBYTES ¹						
0x100C	SLAST																															
0x1010	DADDR																															
0x1014	CITER.E_LINK	CITER or CITER.LINKCH						CITER						DOFF																		
0x1018	DLAST_SGA																															
0x101C	BITER.E_LINK	BITER or BITER.LINKCH						BITER						BWC	MAJOR LINKCH						DONE	ACTIVE	MAJOR.E_LINK	E_SG	D_REQ	INT_HALF	INT_MAJ	START				

¹ The fields implemented in Word 2 depend on whether EDMA_CR[EMLM] bit is set to 0 or 1.

Figure 5. Transfer Control Descriptor

Table 5. TCD initialization with NXP S32K144 header file

TCD Field	Option	Initialization for TCD _n with field value x	
SADDR	—	DMA->TCD[n].SADDR	= DMA_TCD_SADDR_SADDR(x)
SOFF	—	DMA->TCD[n].SOFF	= DMA_TCD_SOFF_SOFF(x)
SMOD SSIZE DMOD DSIZE	—	DMA->TCD[n].ATTR.SMOD DMA->TCD[n].ATTR.SSIZE DMA->TCD[n].ATTR.DMOD DMA->TCD[n].ATTR.DSIZE	= DMA_TCD_ATTR_SMOD(x) = DMA_TCD_ATTR_SSIZE(x) = DMA_TCD_ATTR_DMOD(x) = DMA_TCD_ATTR_DSIZE(x)
SMLOE DMLOE MLOFF NBYTES	Minor Loop mapping disabled	DMA->TCD[n].NBYTES.MLNO	= DMA_TCD_NBYTES_MLNO_NBYTES(x)
	Minor Loop mapping enabled and Offset disabled	DMA->TCD[n].NBYTES.MLOFFNO DMA->TCD[n].NBYTES.MLOFFNO DMA->TCD[n].NBYTES.MLOFFNO	= DMA_TCD_NBYTES_MLOFFNO_SMLOE(x) = DMA_TCD_NBYTES_MLOFFNO_DMLOE(x) = DMA_TCD_NBYTES_MLOFFNO_NBYTES(x)
	Minor Loop mapping enabled and Offset enabled	DMA->TCD[n].NBYTES.MLOFFYES DMA->TCD[n].NBYTES.MLOFFYES DMA->TCD[n].NBYTES.MLOFFYES DMA->TCD[n].NBYTES.MLOFFYES	= DMA_TCD_NBYTES_MLOFFYES_SMLOE(x) = DMA_TCD_NBYTES_MLOFFYES_DMLOE(x) = DMA_TCD_NBYTES_MLOFFYES_MLOFF(x) = DMA_TCD_NBYTES_MLOFFYES_NBYTES(x)
SLAST	—	DMA->TCD[n].SLAST	= DMA_TCD_SLAST_SLAST(x)
DADDR	—	DMA->TCD[n].DADDR	= DMA_TCD_DADDR_DADDR(x)
DOFF	—	DMA->TCD[n].DOFF	= DMA_TCD_DOFF_DOFF(x)
CITER CITER.LINKCH CITER.E.LINK	Channel Linking disabled	DMA->TCD[n].CITER.ELINKNO DMA->TCD[n].CITER.ELINKNO	= DMA_TCD_CITER_ELINKNO_CITER(x) = DMA_TCD_CITER_ELINKNO_ELINK(x)
	Channel Linking enabled	DMA->TCD[n].CITER.ELINKYES DMA->TCD[n].CITER.ELINKYES DMA->TCD[n].CITER.ELINKYES	= DMA_TCD_CITER_ELINKYES_CITER(x) = DMA_TCD_CITER_ELINKYES_LINKCH(x) = DMA_TCD_CITER_ELINKYES_ELINK(x)
DLAST_SGA	—	DMA->TCD[n].DLASTSGA	= DMA_TCD_DLASTSGA_DLASTSGA(x)
START INT_MAJ INT_HALF D_REQ E_SG MAJOR.E.LINK ACTIVE DONE MAJOR.LINKCH BWC	—	DMA->TCD[n].CSR DMA->TCD[n].CSR DMA->TCD[n].CSR DMA->TCD[n].CSR DMA->TCD[n].CSR DMA->TCD[n].CSR DMA->TCD[n].CSR DMA->TCD[n].CSR DMA->TCD[n].CSR DMA->TCD[n].CSR	= DMA_TCD_CSR_START(x) = DMA_TCD_CSR_INTMAJOR(x) = DMA_TCD_CSR_INTHALF(x) = DMA_TCD_CSR_DREQ(x) = DMA_TCD_CSR_ESG(x) = DMA_TCD_CSR_MAJORELINK(x) = DMA_TCD_CSR_ACTIVE(x) = DMA_TCD_CSR_DONE(x) = DMA_TCD_CSR_MAJORLINKCH(x) = DMA_TCD_CSR_BWC(x)
BITER BITER.LINKCH BITER.E_LINK	Channel Linking disabled	DMA->TCD[n].BITER.ELINKNO DMA->TCD[n].BITER.ELINKNO	= DMA_TCD_BITER_ELINKNO_BITER(x) = DMA_TCD_BITER_ELINKNO_ELINK(x)
	Channel Linking enabled	DMA->TCD[n].BITER.ELINKYES DMA->TCD[n].BITER.ELINKYES DMA->TCD[n].BITER.ELINKYES	= DMA_TCD_BITER_ELINKYES_BITER(x) = DMA_TCD_BITER_ELINKYES_LINKCH(x) = DMA_TCD_BITER_ELINKYES_ELINK(x)

2.4.2.2 Design Steps

- Disable watchdog
- System clocks: Initialize SOSC for 8 MHz, sysclk 80 MHz, RUN mode for 80 MHz
- Initialize DMA controller:
 - Enable clock to DMA MUX module (Not required if software initiates DMA with START bit.)
 - Enable desired channels. (Not required if software initiates DMA with START bit.)
- Initialize DMA Transfer Control Descriptors (Only TCD0 is used here):
 - Source
 - Source address (SADDR): Use address of a string “Hello World”
 - Source offset (SOFF): Increment source address by 1 byte for each transfer
 - Source modulo (SMOD): Feature not used here
 - Source size (SSIZE): Read 1 byte at a time
 - Source last address adjustment (SLAST): Decrement source address by 11 after major loop
 - Destination
 - Destination address (DADDR): Use address of a single byte
 - Destination offset (DOFF): Do not add offset to destination address after minor loop
 - Destination modulo (DMOD): Feature not used here
 - Destination size (DSIZE): Write 1 byte at a time
 - Destination last address adjustment (DLAST): Do not adjust address after major loop
 - Number of bytes per DMA request and number of iterations (minor loops)
 - Number of bytes to be transferred per DMA request (NBYTES): One byte
 - Number of iterations/minor loops in major loop (CITER and BITER): 11
 - Channel to channel linking for additional iterations after minor loop (BITER ELINK and CITER ELINK): Disabled
 - Controls and Status
 - Disable channel after major loop completes (DREQ): Disable channel
 - Generate interrupt request half way through major loop (INTHALF): Disabled
 - Generate interrupt request after completing major loop (INTMAJOR): Disabled
 - Enable Scatter-Gather (ESG): Disabled. No other TCDs loaded to channel
 - Enable channel link after major loop (MAJORLINK): Disabled
 - Channel link number after major loop (MAJORLINKCH): Null - feature disabled
 - Band Width Control (BWC): Set to 0 so there are no stalls after R/W
 - Clear initial values of status flags (START, ACTIVE, DONE): Set to zero
- Start first transfer (set START = 1) and wait for transfer to complete (START=0, ACTIVE=0)
- Loop: While the channel’s DONE status is not set:
 - Start next transfer (set START = 1) and wait for transfer to complete (START=0, ACTIVE=0)
- Clear channel’s DONE status bit

2.4.3 Code

2.4.3.1 main.c

```

#include "S32K144.h" /* Include peripheral declarations S32K144 */
#include "dma.h"
#include "clocks_and_modes.h"

void WDOG_disable (void){
    WDOG->CNT=0xD928C520; /* Unlock watchdog */
    WDOG->TOVAL=0x0000FFFF; /* Maximum timeout value */
    WDOG->CS = 0x00002100; /* Disable watchdog */
}

int main(void) {

    WDOG_disable();
    SOSC_init_8MHz(); /* Initialize system oscillator for 8 MHz xtal */
    SPLL_init_160MHz(); /* Initialize SPLL to 160 MHz with 8 MHz SOSC */
    NormalRUNmode_80MHz(); /* Init clocks: 80 MHz SPLL & core, 40 MHz bus, 20 MHz flash */

    DMA_init(); /* Init DMA controller */
    DMA_TCD_init(); /* Init DMA Transfer Control Descriptor(s) */

    DMA->SSRT = 0; /* Set chan 0 START bit to initiate first minor loop */
    while (((DMA->TCD[0].CSR >> DMA_TCD_CSR_START_SHIFT) & 1) | /* Wait for START = 0 */
           ((DMA->TCD[0].CSR >> DMA_TCD_CSR_ACTIVE_SHIFT) & 1)) {} /* and ACTIVE = 0 */
                               /* Now minor loop has completed */

    while (!(DMA->TCD[0].CSR >> DMA_TCD_CSR_DONE_SHIFT) & 1) { /* Loop till DONE = 1 */
        /* Place breakpoint at next instruction & observe expressions TCD0_Source, TCD0_Dest */
        DMA->SSRT = 0; /* Set chan 0 START bit to initiate next minor loop */
        while (((DMA->TCD[0].CSR >> DMA_TCD_CSR_START_SHIFT) & 1) | /* Wait for START = 0 */
               ((DMA->TCD[0].CSR >> DMA_TCD_CSR_ACTIVE_SHIFT) & 1)) {} /* and ACTIVE = 0 */
                               /* Now minor loop has completed */
    }

    DMA->TCD[0].CSR &= ~(DMA_TCD_CSR_DONE_MASK); /* Clear DONE bit */

    while (1) {} /* Wait forever */
}

```

2.4.3.2 DMA.c

```

#include "S32K144.h" /* include peripheral declarations S32K144 */
#include "dma.h"
uint8_t TCD0_Source[] = {"Hello World"}; /* TCD 0 source (11 byte string) */
uint8_t volatile TCD0_Dest = 0; /* TCD 0 destination (1 byte) */
void DMA_init(void) {
    /* This is an initialization place holder for: */
    /* 1. Enabling DMA MUX clock PCC_PCCn[PCC_DMAMUX_INDEX] (not needed when START bit used) */
    /* 2. Enabling desired channels by setting ERQ bit (not needed when START bit used) */
}
void DMA_TCD_init(void) {
    /* TCD0: Transfers string to a single memory location */
    DMA->TCD[0].SADDR = DMA_TCD_SADDR_SADDR((uint32_t volatile) &TCD0_Source); /* Src */
    DMA->TCD[0].SOFF = DMA_TCD_SOFF_SOFF(1); /* Src addr add 1 byte after transfer*/
    DMA->TCD[0].ATTR = DMA_TCD_ATTR_SMOD(0) | /* Src modulo feature not used */
        DMA_TCD_ATTR_SSIZE(0) | /* Src read 2**0 =1 byte per transfer*/
        DMA_TCD_ATTR_DMOD(0) | /* Dest modulo feature not used */
        DMA_TCD_ATTR_DSIZE(0); /* Dest write 2**0 =1 byte per trans.*/
    DMA->TCD[0].NBYTES.MLNO = DMA_TCD_NBYTES_MLNO_NBYTES(1); /* Transfer 1 byte /minor loop*/
    DMA->TCD[0].SLAST = DMA_TCD_SLAST_SLAST(-11); /* Src addr change after major loop*/
    DMA->TCD[0].DADDR = DMA_TCD_DADDR_DADDR((uint32_t volatile) &TCD0_Dest); /* Dest. */
    DMA->TCD[0].DOFF = DMA_TCD_DOFF_DOFF(0); /* No dest adr offset after transfer*/
    DMA->TCD[0].CITER.ELINKNO= DMA_TCD_CITER_ELINKNO_CITER(11) | /* 11 minor loop iterations*/
        DMA_TCD_CITER_ELINKNO_ELINK(0); /* No minor loop chan link */
    DMA->TCD[0].DLASTSGA = DMA_TCD_DLASTSGA_DLASTSGA(0); /* No dest chg after major loop*/
    DMA->TCD[0].CSR = DMA_TCD_CSR_START(0) | /* Clear START status flag */
        DMA_TCD_CSR_INTMAJOR(0) | /* No IRQ after major loop */
        DMA_TCD_CSR_INTHALF(0) | /* No IRQ after 1/2 major loop */
        DMA_TCD_CSR_DREQ(1) | /* Disable chan after major loop*/
        DMA_TCD_CSR_ESG(0) | /* Disable Scatter Gather */
        DMA_TCD_CSR_MAJORELINK(0) | /* No major loop chan link */
        DMA_TCD_CSR_ACTIVE(0) | /* Clear ACTIVE status flag */
        DMA_TCD_CSR_DONE(0) | /* Clear DONE status flag */
        DMA_TCD_CSR_MAJORLINKCH(0) | /* Chan # if major loop ch link */
        DMA_TCD_CSR_BWC(0); /* No eDMA stalls after R/W */
    DMA->TCD[0].BITER.ELINKNO= DMA_TCD_BITER_ELINKNO_BITER(11) | /* Initial iteration count*/
        DMA_TCD_BITER_ELINKNO_ELINK(0); /* No minor loop chan link */
}

```

2.4.3.3 clocks_and_modes.c

See code in [clocks_and_modes.c](#) of the Hello World + Clock example.

2.5 Timed I/O (FTM)

2.5.1 Description

Summary: This example uses the Flex Timer Module (FTM) to perform common digital I/O functions of:

- Edge-Aligned Pulse Width Modulation (EPWM): 1 Hz, low 25%, high 75%
- Output Compare (OC): Toggle output every 100 msec (10 MHz toggle produces 5 MHz frequency)
- Input Capture (IC): Capture input's rising or falling edge times

All channels in the FTM share a common 16-bit counter for the I/O functions.

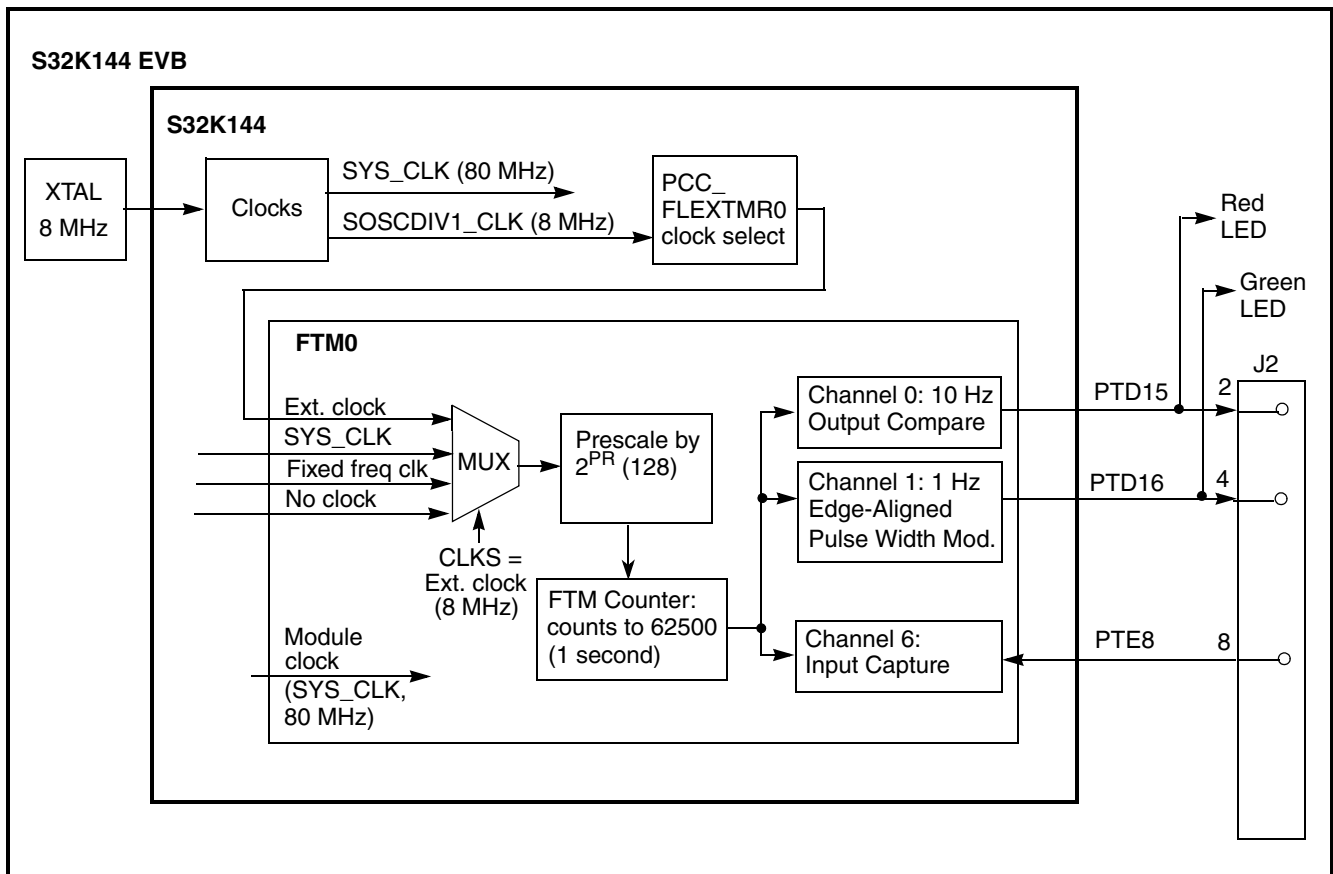


Figure 6. Timed I/O example block diagram.

To measure the Input Capture time, connect a wire from J2 pin 8 to pin 4 or pin 2.

2.5.2 Design

2.5.2.1 Channel Mode Selection

Channel modes are configured by settings in registers for the entire FTM module and individual channel. The following table shows the settings used for channel modes implemented in this example.

Table 6. Timed I/O example required register bit-field settings for FTM channel modes

Module Registers Settings ¹				Channel Registers Settings		Mode	Configuration
SC [CPWMS]	COMBINE [DECAPENx]	COMBINE [MCOMBINEx]	COMBINE [COMBINEx]	CnSC [MSnB:MSnB]	CnSC [ELSnB:ELSnA]		
0	0	0	0	00	11	Input Capture	Capture on rising or falling edge
	0	0	0	01	01	Output Compare	Toggle on output match
	0	0	0	1X	X1	Edge-Aligned PWM	Low-true pulses (set on output match)

¹ "x" in the bitfield is a number that maps to a pair of channels. If x=0, it applies to channels 0, 1; x=2, channels 2, 3; etc.

2.5.2.2 Result output waveforms

The waveforms below show the PWM at 1 Hz with 75% duty cycle and Output Compare at 10 Hz.



Figure 7. FTM example output waveforms

2.5.2.3 Design Steps

- Disable watchdog
- System clocks: Initialize SOSC for 8 MHz, sysclk for 80 MHz, RUN mode for 80 MHz
- Initialize FTM0. Input clock source will be 8 MHz SOSC DIV1_CLK:
 - Disable write protection to FTM0 registers to allow configuration
 - Controls:
 - Prescale clock source by 128 (8 MHz / 128 = 62500 Hz)
 - Enable channels 0, 1 as outputs
 - No filtering or interrupts are used
 - PWM is configured as up count (CPWMS=0)
 - Clock source = none (clock/counter will be started after initializations)
 - Initialize mode, polarity settings: CPWMS, DECAPEN, MCOMBINE, COMBINE, polarity=0
 - Counter count up value = 62500 (1 second period)
- Initialize FTM0 Channel 0 as Output Compare, toggle on match every 100 msec:
 - Configure MSB:MSA, ELSB:ELSA for Output Compare mode
 - Set initial compare value to 6250 (for 100 msec)
 - Set polarity to active high
- Initialize FTM0 Channel 1 as EPWM, 1 Hz, 75% duty Cycle:
 - Configure MSB:MSA, ELSB:ELSA for PWM mode
 - Set initial compare value for 75% duty cycle
- Initialize FTM0 Channel 6 as Input Capture, either edge:
 - Configure MSB:MSA, ELSB:ELSA for Input Capture mode
- Initialize port pins for FTM0:
 - Enable clocks to Port D and Port E modules
 - PTD15: FTM0 CH 0 - output compare - connects to red LED
 - PTD16: FRM0 CH 1- PWM - connects to green LED
 - PTE8: FTM0 CH 6 - input capture
- Start FTM0 counter
- Loop:
 - If output compare match flag is set:
 - output pin toggles (automatically by hardware)
 - update compare value for next 100 msec (6250 added to current count)
 - If input capture flag is set, clear flag and read timer:
 - clear flag
 - store prior capture value
 - read current capture value
 - calculate delta of prior and current capture values

2.5.3 Code

2.5.3.1 main.c

```

#include "S32K144.h"          /* include peripheral declarations S32K144 */
#include "clocks_and_modes.h"
#include "FTM.h"

void PORT_init (void) {
    PCC->PCCn[PCC_PORTD_INDEX ]|=PCC_PCCn_CGC_MASK; /* Enable clock for PORTD */
    PCC->PCCn[PCC_PORTE_INDEX ]|=PCC_PCCn_CGC_MASK; /* Enable clock for PORTE */
    PORTE->PCR[8 ]|=PORT_PCR_MUX(2);                /* Port E8: MUX = ALT2, FTM0CH6 */
    PORTD->PCR[15 ]|=PORT_PCR_MUX(2);               /* Port D15: MUX = ALT2, FTM0CH0 */
    PORTD->PCR[16 ]|=PORT_PCR_MUX(2);               /* Port D16: MUX = ALT2, FTM0CH1 */
}

void WDOG_disable (void) {
    WDOG->CNT=0xD928C520; /* Unlock watchdog */
    WDOG->TOVAL=0x0000FFFF; /* Maximum timeout value */
    WDOG->CS = 0x00002100; /* Disable watchdog */
}

int main(void) {
    WDOG_disable(); /* Disable WDOG*/
    SOSC_init_8MHz(); /* Initialize system oscillator for 8 MHz xtal */
    SPLL_init_160MHz(); /* Initialize SPLL to 160 MHz with 8 MHz SOSC */
    NormalRUNmode_80MHz(); /* Init clocks: 80 MHz SPLL & core, 40 MHz bus, 20 MHz flash */
    FTM0_init(); /* Init FTM0 */
    FTM0_CH0_OC_init(); /* Init FTM0 CH0, red LED */
    FTM0_CH1_PWM_init(); /* Init FTM0 CH1, green LED */
    FTM0_CH6_IC_init(); /* Init FTM0 CH6, j2-8 */
    PORT_init(); /* Configure ports */
    start_FTM0_counter(); /* Start FTM0 counter */
    for(;;) {
        FTM0_CH0_output_compare(); /* If output compare match: */
        /* Pin toggles (automatically by hardware) */
        /* Clear flag 8 */
        /* Reload timer */
        FTM0_CH6_input_capture(); /* If input captured: clear flag, read timer */
    }
}

```

2.5.3.2 FTM.c

```

#include "S32K144.h" /* include peripheral declarations S32K144 */
#include "FTM.h"
uint16_t CurrentCaptureVal = 0;
uint16_t PriorCaptureVal = 0;
uint16_t DeltaCapture = 0;

void FTM0_init(void) {
    PCC->PCCn[PCC_FLEXTMR0_INDEX] &= ~PCC_PCCn_CGC_MASK; /* Ensure clk disabled for config */
    PCC->PCCn[PCC_FLEXTMR0_INDEX] |= PCC_PCCn_PCS(0b001)/* Clock Src=1, 8 MHz SOSCDIV1_CLK */
        | PCC_PCCn_CGC_MASK; /* Enable clock for FTM regs */
    FTM0->MODE |= FTM_MODE_WPDIS_MASK; /* Write protect to registers disabled (default) */
    FTM0->SC = 0x00030007; /* Enable PWM channel 0 output*/
        /* Enable PWM channel 1 output*/
        /* TOIE (Timer Overflow Interrupt Ena) = 0 (default) */
        /* CPWMS (Center aligned PWM Select) = 0 (default, up count) */
        /* CLKS (Clock source) = 0 (default, no clock; FTM disabled) */
        /* PS (Prescaler factor) = 7. Prescaler = 128 */
    FTM0->COMBINE = 0x00000000; /* FTM mode settings used: DECAPENx, MCOMBINEx, COMBINEx=0 */
    FTM0->POL = 0x00000000; /* Polarity for all channels is active high (default) */
    FTM0->MOD = 62500 - 1 ; /* FTM1 counter final value (used for PWM mode) */
        /* FTM1 Period = MOD-CNTIN+0x0001 ~= 62500 ctr clks */
        /* 8MHz /128 = 62.5kHz -> ticks -> 1Hz */
}

void FTM0_CH0_OC_init(void) {
    FTM0->CONTROLS[0].CnSC = 0x00000014; /* FTM0 ch0: Output Compare, toggle output on match */
        /* CHIE (Chan Interrupt Ena)= 0 (default) */
        /* MSB:MSA (chan Mode Select)= 0b01, Output Compare */
        /* ELSB:ELSA (chan Edge or Level Select)= 0b01, toggle*/
    FTM0->CONTROLS[0].CnV = 6250; /* FTM0 ch 0 Compare Value= 6250 clks, 100ms toggle*/
    FTM0->POL &= ~FTM_POL_POL0_MASK; /* FTM0 ch 0 polarity = 0 (Default, active high) */
}

void FTM0_CH1_PWM_init(void) {
    FTM0->CONTROLS[1].CnSC = 0x00000028; /* FTM0 ch1: edge-aligned PWM, low true pulses */
        /* CHIE (Chan Interrupt Ena) = 0 (default) */
        /* MSB:MSA (chan Mode Select)=0b10, Edge Align PWM*/
        /* ELSB:ELSA (chan Edge/Level Select)=0b10, low true */
    FTM0->CONTROLS[1].CnV = 46875; /* FTM0 ch1 compare value (~75% duty cycle) */
}

```

```

void FTM0_CH6_IC_init(void) {
    FTM0->CONTROLS[6].CnSC = 0x0000000C; /* FTM0 ch6: Input Capture rising or falling edge */
                                        /* CHIE (Chan Interrupt Ena) = 0 (default) */
                                        /* MSB:MSA (chan Mode Select)=0b00, Input Capture */
                                        /* ELSB:ELSA (ch Edge/Level Select)=0b11, rise or fall*/
}

void FTM0_CH0_output_compare(void) {
    if (1==((FTM0->CONTROLS[0].CnSC & FTM_CnSC_CHF_MASK)>>FTM_CnSC_CHF_SHIFT)) {
                                                /* If chan flag is set */
        FTM0->CONTROLS[0].CnSC &= ~FTM_CnSC_CHF_MASK; /* Clear flag: read reg then set CHF=0 */
        if( FTM0->CONTROLS[0].CnV==56250) { /* If count at last value before end, */
            FTM0->CONTROLS[0].CnV= 0 ; /* Update compare value: to 0*/
        }
        else {
            FTM0->CONTROLS[0].CnV= FTM0->CONTROLS[0].CnV + 6250 ;
                                                /* Update compare value: add 6250 to current value*/
        }
    }
}

void FTM0_CH6_input_capture(void) {
    if (1==((FTM0->CONTROLS[6].CnSC & FTM_CnSC_CHF_MASK)>>FTM_CnSC_CHF_SHIFT)) {
                                                /* If chan flag is set */
        FTM0->CONTROLS[6].CnSC &= ~FTM_CnSC_CHF_MASK; /* Clear flag: read reg then set CHF=0 */
        PriorCaptureVal = CurrentCaptureVal; /* Record value of prior capture */
        CurrentCaptureVal = FTM0->CONTROLS[6].CnV; /* Record value of current capture */
        DeltaCapture = CurrentCaptureVal - PriorCaptureVal;
                                                /* Will be 6250 clocks (100 msec) if connected to FTM0 CH0 */
    }
}

void start_FTM0_counter (void) {
    FTM0->SC |= FTM_SC_CLKS(3);
                                                /* Start FTM0 counter with clk source = external clock (SOSCDIV1_CLK)*/
}

```

2.5.3.3 clocks_and_modes.c

See code in [clocks_and_modes.c](#) of the Hello World + Clock example.

2.6 ADC - SW Trigger

2.6.1 Description

Summary: The ADC is initialized to convert two channels using software triggers that are configured for one-shot conversions. Each conversion requires its own software trigger. One channel (AD12) connects to a potentiometer on the S32K144 evaluation board the other to V_{REFSH} . The results are scaled 0 to 5000 mV.

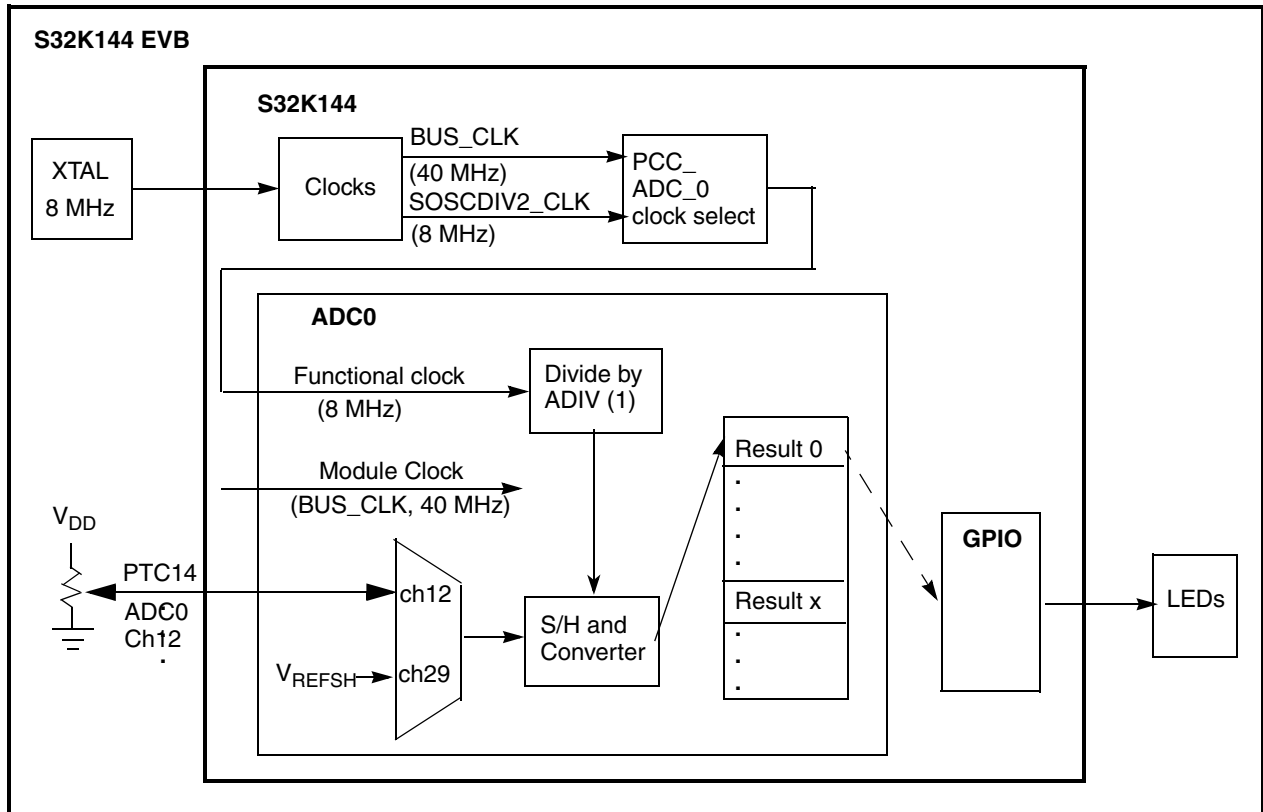


Figure 8. ADC example block diagram

On the evaluation board, three LEDs are used to indicate the conversion result range per the following table.

Table 7. LED colors for ADC example input voltage from potentiometer

Scaled conversion result	LED illuminated
3750 - 5000 mV	Red
2500 - 3750 mV	Green
1250 - 2500 mV	Blue
0 to 1250 mV	None

2.6.2 Design

ADC calibration is not included in this simple example. Hence the results can be lower than the specified accuracy. The steps to initialize the calibration mechanism are found in the Calibration function section of the ADC chapter of the reference manual.

- Disable watchdog
- System clocks: Initialize SOSC for 8 MHz, sysclk for 80 MHz, RUN mode for 80 MHz
- Initialize port pins:
 - Enable clocks to Port D
 - PTD0: GPIO output - connects to blue LED
 - PTD15: GPIO output - connects to red LED
 - PTD16: GPIO output - connects to green LED
 - (Out of reset, no configuration is needed for analog pins.)
- Initialize ADC:
 - Select SOSCDIV2_CLK for functional clock and enable it to module
 - Disable module and disable interrupt requests from module (reset default state)
 - Configure ADC for 12-bit conversions using SOSCDIV2_CLK, divided by 1
 - Configure sample time of 13 ADCK clock cycles (reset default value)
 - Select software trigger for conversions, no compare functions, no DMA and use default voltage reference pins - external pins V_{REFH} and V_{REFL} . (reset default value)
 - Disable continuous conversions (so there is one conversion per software trigger), disable hardware averaging, disable calibration sequence start up
- Loop:
 - Issue ADC conversion command for channel 12, which is connected to the potentiometer on the NXP evaluation board. (Use ADC_SC1[0] for software triggers.)
 - Wait for conversion complete flag. When conversion is complete:
 - Read result and scale to 0 to 5000 mV (Result is in ADC_R[0] for all software triggers.)
 - Illuminate LED per voltage range
 - Issue ADC conversion command to read channel 29, ADC high reference voltage (Use ADC_SC1[0] for software triggers.)
 - Wait for conversion complete flag. When conversion is complete:
 - Read result and scale to 0 to 5000 mV (Result is in ADC_R[0] for all software triggers.)

2.6.3 Code

2.6.3.1 main.c

```

#include "S32K144.h" /* include peripheral declarations S32K144 */
#include "clocks_and_modes.h"
#include "ADC.h"

#define PTD15 15 /* RED LED*/
#define PTD16 16 /* GREEN LED*/
#define PTD0 0 /* BLUE LED */

uint32_t adcResultInMv_pot = 0;
uint32_t adcResultInMv_Vrefsh = 0;

void PORT_init (void) {
    PCC->PCCn[PCC_PORTD_INDEX ]|=PCC_PCCn_CGC_MASK; /* Enable clock for PORTD */
    PORTD->PCR[PTD0] = 0x00000100; /* Port D0: MUX = GPIO */
    PORTD->PCR[PTD15] = 0x00000100; /* Port D15: MUX = GPIO */
    PORTD->PCR[PTD16] = 0x00000100; /* Port D16: MUX = GPIO */

    PTD->PDDR |= 1<<PTD0; /* Port D0: Data Direction= output */
    PTD->PDDR |= 1<<PTD15; /* Port D15: Data Direction= output */
    PTD->PDDR |= 1<<PTD16; /* Port D16: Data Direction= output */
}

void WDOG_disable (void){
    WDOG->CNT=0xD928C520; /* Unlock watchdog */
    WDOG->TOVAL=0x000FFFFF; /* Maximum timeout value */
    WDOG->CS = 0x00002100; /* Disable watchdog */
}

int main(void)
{
    WDOG_disable(); /* Disable WDOG*/
    SOSC_init_8MHz(); /* Initialize system oscillator for 8 MHz xtal */
    SPLL_init_160MHz(); /* Initialize SPLL to 160 MHz with 8 MHz SOSC */
    NormalRUNmode_80MHz(); /* Init clocks: 80 MHz sysclk & core, 40 MHz bus, 20 MHz flash */
    PORT_init(); /* Init port clocks and gpio outputs */
    ADC_init(); /* Init ADC resolution 12 bit*/
}

```

```

for(;;) {
    convertAdcChan(12);                /* Convert Channel AD12 to pot on EVB */
    while(adc_complete()==0){}        /* Wait for conversion complete flag */
    adcResultInMv_pot = read_adc_chx(); /* Get channel's conversion results in mv */

    if (adcResultInMv_pot > 3750) {    /* If result > 3.75V */
        PTD->PSOR |= 1<<PTD0 | 1<<PTD16; /* turn off blue, green LEDs */
        PTD->PCOR |= 1<<PTD15;         /* turn on red LED */
    }
    else if (adcResultInMv_pot > 2500) { /* If result > 3.75V */
        PTD->PSOR |= 1<<PTD0 | 1<<PTD15; /* turn off blue, red LEDs */
        PTD->PCOR |= 1<<PTD16;         /* turn on green LED */
    }
    else if (adcResultInMv_pot >1250) { /* If result > 3.75V */
        PTD->PSOR |= 1<<PTD15 | 1<<PTD16; /* turn off red, green LEDs */
        PTD->PCOR |= 1<<PTD0;         /* turn on blue LED */
    }
    else {
        PTD->PSOR |= 1<<PTD0 | 1<< PTD15 | 1<<PTD16; /* Turn off all LEDs */
    }

    convertAdcChan(29);                /* Convert chan 29, Vrefsh */
    while(adc_complete()==0){}        /* Wait for conversion complete flag */
    adcResultInMv_Vrefsh = read_adc_chx(); /* Get channel's conversion results in mv */
}
}

```

2.6.3.2 ADC.c

```

#include "ADC.h"

void ADC_init(void) {
    PCC->PCCn[PCC_ADC0_INDEX] &=~ PCC_PCCn_CGC_MASK; /* Disable clock to change PCS */
    PCC->PCCn[PCC_ADC0_INDEX] |= PCC_PCCn_PCS(1); /* PCS=1: Select S0SCDIV2 */
    PCC->PCCn[PCC_ADC0_INDEX] |= PCC_PCCn_CGC_MASK; /* Enable bus clock in ADC */

    ADC0->SC1[0] = 0x00001F; /* ADCH=1F: Module is disabled for conversions*/
                                /* AIEN=0: Interrupts are disabled */
    ADC0->CFG1 = 0x00000004; /* ADICLK=0: Input clk=ALTCLK1=S0SCDIV2 */
                                /* ADIV=0: Prescaler=1 */
                                /* MODE=1: 12-bit conversion */
    ADC0->CFG2 = 0x0000000C; /* SMPLTS=12(default): sample time is 13 ADC clks */
    ADC0->SC2 = 0x00000000; /* ADTRG=0: SW trigger */
                                /* ACFE,ACFGT,ACREN=0: Compare func disabled */
                                /* DMAEN=0: DMA disabled */
                                /* REFSEL=0: Voltage reference pins= VREFH, VREEFL */
    ADC0->SC3 = 0x00000000; /* CAL=0: Do not start calibration sequence */
                                /* ADCO=0: One conversion performed */
                                /* AVGE,AVGS=0: HW average function disabled */
}

void convertAdcChan(uint16_t adcChan) { /* For SW trigger mode, SC1[0] is used */
    ADC0->SC1[0]&=~ADC_SC1_ADCH_MASK; /* Clear prior ADCH bits */
    ADC0->SC1[0] = ADC_SC1_ADCH(adcChan); /* Initiate Conversion*/
}

uint8_t adc_complete(void) {
    return ((ADC0->SC1[0] & ADC_SC1_COCO_MASK)>>ADC_SC1_COCO_SHIFT); /* Wait for completion */
}

uint32_t read_adc_chx(void) {
    uint16_t adc_result=0;
    adc_result=ADC0->R[0]; /* For SW trigger mode, R[0] is used */
    return (uint32_t) ((5000*adc_result)/0xFFF); /* Convert result to mv for 0-5V range */
}

```

2.6.3.3 clocks_and_modes.c

See code in [clocks_and_modes.c](#) of the Hello World + Clock example.

2.7 UART

2.7.1 Description

Summary: This example performs a simple UART 9600 baud transfer to a COM port on a PC. FIFOs, interrupts and DMA are not implemented.

The Open SDA interface can be used on the evaluation board, where the UART signals are transferred to a USB interface, which can connect to a PC which has a terminal emulation program such as PUTTY, TeraTerm or other software.

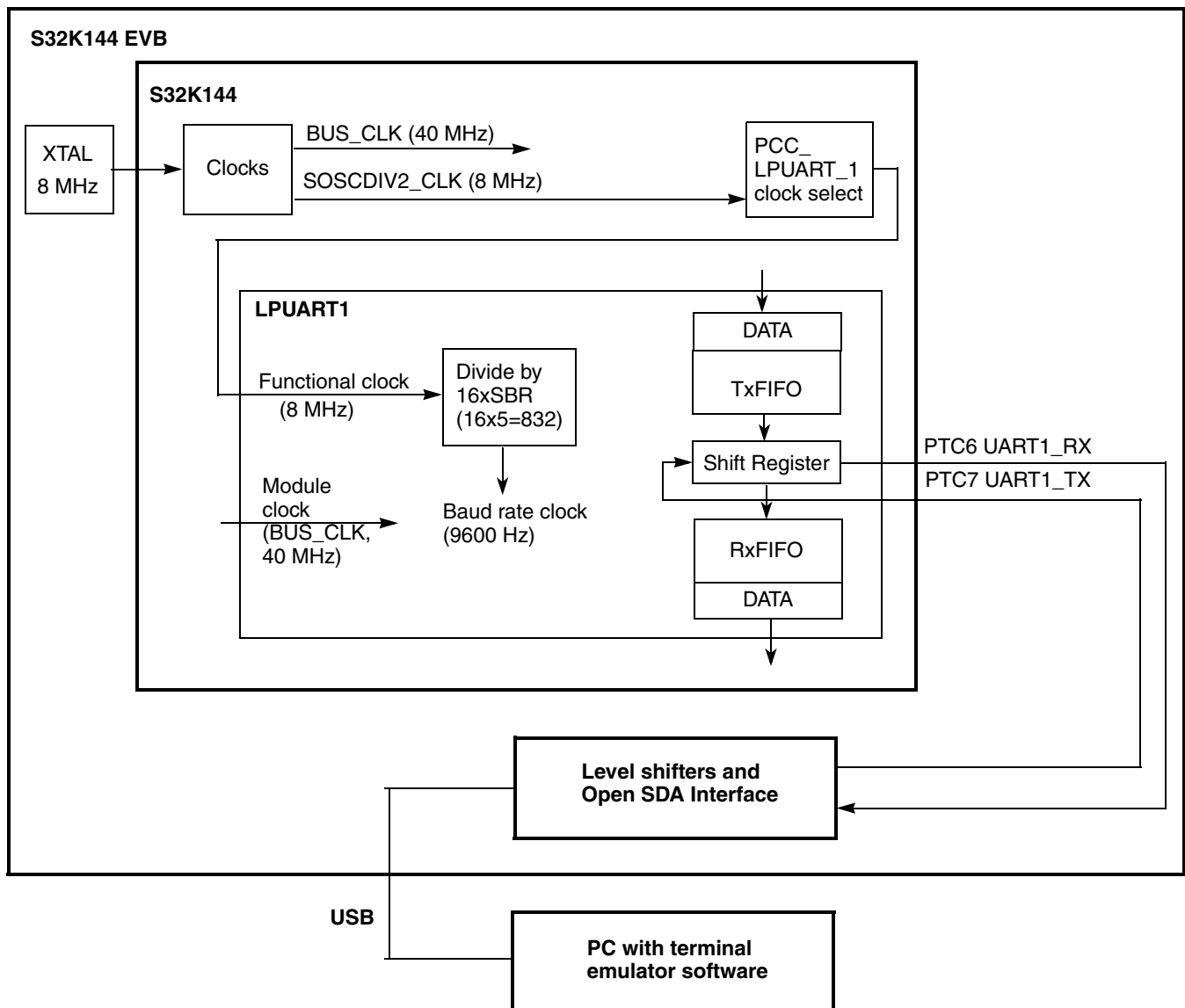


Figure 9. UART example block diagram

A terminal emulator on the PC such as PuTTY can be used. To configure PuTTY:

1. Determine the COM port to use:
 - Open the Windows Device Manager
 - Expand Ports (COM and LPT)
 - Note which COM port is for OpenSDA. (Example: COM3)
2. Start PuTTY.
3. Configure the Session dialog box:
 - Session - Connection type: Click on Serial button
 - Session - Serial line: Type in the COM port (Example: COM3)
 - Session - Speed: Enter desired baud rate (9600 in this example)
4. Expand the Connection group (if not expanded) and select the Serial dialog box:
 - Connection - Serial: Verify the COM port number is correct
 - Connection - Serial: Set Speed (baud): 9600 in this example
 - Connection - Serial: As needed, set number of data bits, parity, stop bits, flow control
5. Click on “Open” button to open the serial window.

2.7.2 Design

Overflow handling is not included in this basic example. Hence, if data is received faster than software can handle it, some data will be lost. If that is a concern, overflow handling logic can be added to the application.

- Disable watchdog
- System clocks: Initialize SOSC for 8 MHz, sysclk for 80 MHz, RUN mode for 80 MHz
- Initialize port pins:
 - Enable clock to Port C module
 - PTC6, PTC7: Configure for LPUART1_RX, LPUART1_TX
- Initialize LPUART1:
 - Enable clock source of SOSC_DIV2_CLK
 - Configure baud rate: 9600 baud, one stop bit, 8 bit characters
 - No interrupts, DMA or match features enabled
 - Configure LPUART1 control: Enable transmitter, receiver, no parity, 8 bit characters
- Transmit two character strings:
 - Loop for each character to be sent: If transmit data ready status bit is set, write character to the DATA register
- Loop to echo received characters:
 - Transmit prompt character (>)
 - Wait for RDRF flag to be set then read character
 - Transmit read character back

2.7.3 Code

2.7.3.1 main.c

```

#include "S32K144.h" /* include peripheral declarations S32K144 */
#include "clocks_and_modes.h"
#include "LPUART.h"

char data=0;
void PORT_init (void) {
    PCC->PCCn[PCC_PORTC_INDEX ]|=PCC_PCCn_CGC_MASK; /* Enable clock for PORTC */
    PORTC->PCR[6]|=PORT_PCR_MUX(2);                /* Port C6: MUX = ALT2,UART1 TX */
    PORTC->PCR[7]|=PORT_PCR_MUX(2);                /* Port C7: MUX = ALT2,UART1 RX */
}

void WDOG_disable (void){
    WDOG->CNT=0xD928C520;    /* Unlock watchdog */
    WDOG->TOVAL=0x0000FFFF;  /* Maximum timeout value */
    WDOG->CS = 0x00002100;   /* Disable watchdog */
}

int main(void)
{
    WDOG_disable();        /* Disable WDG0*/
    SOSC_init_8MHz();      /* Initialize system oscillator for 8 MHz xtal */
    SPLL_init_160MHz();    /* Initialize SPLL to 160 MHz with 8 MHz SOSC */
    RUNmode_80MHz();       /* Init clocks: 80 MHz SPLL & core, 40 MHz bus, 20 MHz flash */
    PORT_init();           /* Configure ports */

    LPUART1_init();        /* Initialize LPUART @ 9600*/
    LPUART1_transmit_string("Running LPUART example\n\r"); /* Transmit char string */
    LPUART1_transmit_string("Input character to echo...\n\r"); /* Transmit char string */

    for(;;) {
        LPUART1_transmit_char('>'); /* Transmit prompt character*/
        LPUART1_receive_and_echo_char();/* Wait for input char, receive & echo it*/
    }
}

```

2.7.3.2 LPUART.c

```

#include "S32K144.h" /* include peripheral declarations S32K144 */
#include "LPUART.h"

void LPUART1_init(void) /* Init. summary: 9600 baud, 1 stop bit, 8 bit format, no parity */
{
    PCC->PCCn[PCC_LPUART1_INDEX] &= ~PCC_PCCn_CGC_MASK; /* Ensure clk disabled for config */
    PCC->PCCn[PCC_LPUART1_INDEX] |= PCC_PCCn_PCS(0b001) /* Clock Src= 1 (SOSCDIV2_CLK) */
    | PCC_PCCn_CGC_MASK; /* Enable clock for LPUART1 regs */

    LPUART1->BAUD = 0x0F000034; /* Initialize for 9600 baud, 1 stop: */
    /* SBR=52 (0x34): baud divisor = 8M/9600/16 = ~52 */
    /* OSR=15: Over sampling ratio = 15+1=16 */
    /* SBNS=0: One stop bit */
    /* BOTHEDGE=0: receiver samples only on rising edge */
    /* M10=0: Rx and Tx use 7 to 9 bit data characters */
    /* RESYNCDIS=0: Resync during rec'd data word supported */
    /* LBKDIE, RXEDGIE=0: interrupts disable */
    /* TDMAE, RDMAE, TDMAE=0: DMA requests disabled */
    /* MAEN1, MAEN2, MATCFG=0: Match disabled */

    LPUART1->CTRL=0x000C0000; /* Enable transmitter & receiver, no parity, 8 bit char: */
    /* RE=1: Receiver enabled */
    /* TE=1: Transmitter enabled */
    /* PE,PT=0: No hw parity generation or checking */
    /* M7,M,R8T9,R9T8=0: 8-bit data characters*/
    /* DOZEEN=0: LPUART enabled in Doze mode */
    /* ORIE,NEIE,FEIE,PEIE,TIE,TCIE,RIE,ILIE,MA1IE,MA2IE=0: no IRQ*/
    /* TxDIR=0: Tx pin is input if in single-wire mode */
    /* TXINV=0: TRansmit data not inverted */
    /* RWU,WAKE=0: normal operation; rcvr not in statndby */
    /* IDLCFG=0: one idle character */
    /* ILT=0: Idle char bit count starts after start bit */
    /* SBK=0: Normal transmitter operation - no break char */
    /* LOOPS,RSRC=0: no loop back */
}

```

```

void LPUART1_transmit_char(char send) { /* Function to Transmit single Char */
    while((LPUART1->STAT & LPUART_STAT_TDRE_MASK)>>LPUART_STAT_TDRE_SHIFT==0);
        /* Wait for transmit buffer to be empty */
    LPUART1->DATA=send; /* Send data */
}

void LPUART1_transmit_string(char data_string[]) { /* Function to Transmit whole string */
    uint32_t i=0;
    while(data_string[i] != '\0') { /* Send chars one at a time */
        LPUART1_transmit_char(data_string[i]);
        i++;
    }
}

char LPUART1_receive_char(void) { /* Function to Receive single Char */
    char receive;
    while((LPUART1->STAT & LPUART_STAT_RDRF_MASK)>>LPUART_STAT_RDRF_SHIFT==0);
        /* Wait for received buffer to be full */
    receive= LPUART1->DATA; /* Read received data*/
    return receive;
}

void LPUART1_receive_and_echo_char(void) { /* Function to echo received char back */
    char send = LPUART1_receive_char(); /* Receive Char */
    LPUART1_transmit_char(send); /* Transmit same char back to the sender */
    LPUART1_transmit_char('\n'); /* New line */
}

```

2.7.3.3 clocks_and_modes.c

See code in [clocks_and_modes.c](#) of the Hello World + Clock example.

2.8 SPI

2.8.1 Description

Summary: A simple LPSPI transfer is performed using FIFOs which can improve throughput. After initialization, a 16 bit frame is transmitted at 1 Mbps. Software will poll flags rather than using interrupts and/or DMA. The SBC's status register is read to variable LPSPI1_16bits_read. For UJA1169 the value normally read will be 0xFDEF.

S32K144 EVB Note: The example uses LPSPI1 with Peripheral Chip Select 3, which connects to transceiver UGA1169TK/F¹. To power the SBC, connect an external 12V supply to the EVB and connect pins 1-2 on jumper J107. A USB cable can still be connected to the EVB to allow debug to continue. If the SBC is not powered, the LPSPI data in will be all zeros.

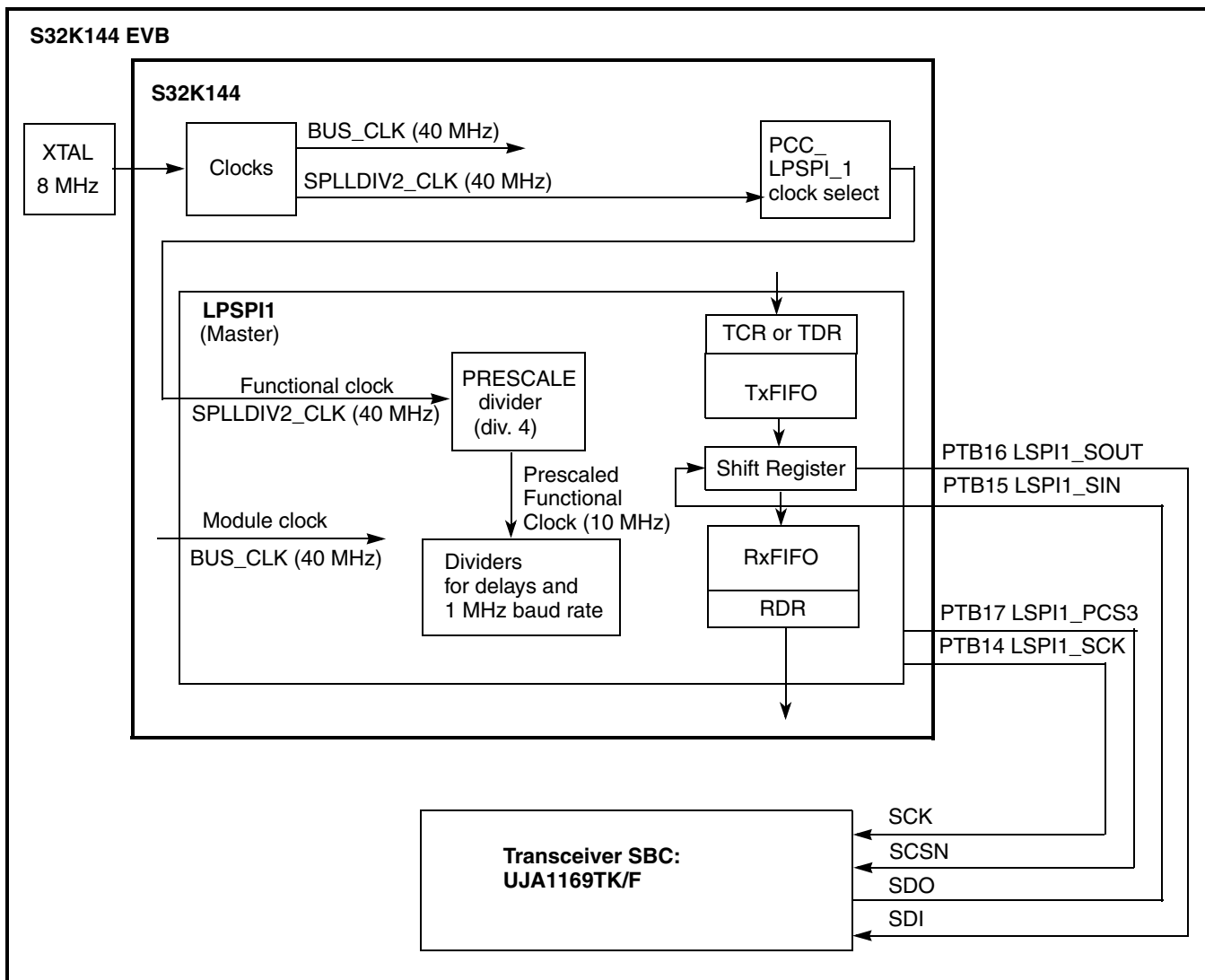


Figure 10. LPSPI Example Block Diagram

1. Initial S32K144 EVBs, currently obsolete, use MC33903 transceiver, have different SPI commands.

2.8.2 Design

- Disable watchdog
- System clocks: Initialize SOSC for 8 MHz, sysclk for 80 MHz, RUN mode for 80 MHz
- Initialize LPSPI1:
 - Module control:
 - Disable module to allow configuration
 - Configure LPSPI as master
 - Initialize clock desired configurations for a 10 MHz prescaled functional clock (100 usec period):
 - Prescaled functional clock frequency = Functional clock / PRESCALE = 40 MHz / 4 = 10 MHz
 - SCK baud rate = (Functional clock / PRESCALE) / (SCKDIV+2)
= (40 MHz / 4) / (8 + 2) = 10 MHz / 10 = 1 MHz
 - SCK to PCS delay = 5 prescaled functional clocks = 50 nsec
 - PCS to CSK delay = 10 prescaled functional clocks = 1 usec
 - Delay between transfers = 10 prescaled functional clocks = 1 usec.
 - FIFO Control:
 - RxFIFO: Receive Data Flag (RDF) set when # words in FIFO > 0
 - TxFIFO: Transmit Data Flag (TDF) set when # words in FIFO ≤ 3
 - Configure Transmit Commands (other configurations could be applied later, for example, for data that uses a different chip select and frame size):
 - Prescale functional clock by 8 (80 MHz / 8 = 10 MHz prescaled functional clock)
 - Frame size = 16 bits
 - PCS3 used for peripheral chip select
 - SCK polarity active low
 - Phase: Data changed on SCK leading edge, captured on SCK trailing edge
 - MSB first, byte swap disabled, continuous transfer disabled
 - Single bit width for transfer
 - Normal FIFO use: Rx data stored in Rx FIFO, Tx data loaded from Tx FIFO
 - Module Control:
 - Enable module, including in debug and doze modes
- Initialize port pins for LPSPI1
- Loop:
 - Wait for Transmit Data Flag (TDF) to be set (indicates Transmit FIFO availability), then write one SPI frame to Transmit FIFO and clear flag
 - Wait for Receive Data Flag (RDF) to set (indicates Receive FIFO has data to read), then read received SPI frame and clear flag. Expected data: 0xFDEF from UJA1169TK/F
 - Increase counter

2.8.3 Code

2.8.3.1 main.c

```

#include "S32K144.h"           /* include peripheral declarations S32K144 */
#include "LPSPI.h"
#include "clocks_and_modes.h"

uint16_t tx_16bits = 0xFD00; /* SBC UJA1169: read Dev ID Reg @ 0x7E (expect non-zero)*/
                               /* Note: Obsolete EVB with MC33903 example used 0c2580 */
                               /*           to read SAFE reg flags (expect nonzero result).*/
uint16_t LPSPI1_16bits_read; /* Returned data in to SPI */

void WDOG_disable (void){
    WDOG->CNT=0xD928C520;      /*Unlock watchdog*/
    WDOG->TOVAL=0x0000FFFF;    /*Maximum timeout value*/
    WDOG->CS = 0x00002100;     /*Disable watchdog*/
}

void PORT_init (void) {
    PCC->PCCn[PCC_PORTB_INDEX ]|=PCC_PCCn_CGC_MASK; /* Enable clock for PORTB */
    PORTB->PCR[14]|=PORT_PCR_MUX(3); /* Port B14: MUX = ALT3, LPSPI1_SCK */
    PORTB->PCR[15]|=PORT_PCR_MUX(3); /* Port B15: MUX = ALT3, LPSPI1_SIN */
    PORTB->PCR[16]|=PORT_PCR_MUX(3); /* Port B16: MUX = ALT3, LPSPI1_SOUT */
    PORTB->PCR[17]|=PORT_PCR_MUX(3); /* Port B17: MUX = ALT3, LPSPI1_PCS3 */
}

int main(void) {
    uint32_t counter = 0;
    WDOG_disable();
    SOSC_init_8MHz();         /* Initialize system oscillator for 8 MHz xtal */
    SPLL_init_160MHz();      /* Initialize SPLL to 160 MHz with 8 MHz SOSC */
    NormalRUNmode_80MHz();   /* Init clocks: 80 MHz sysclk & core, 40 MHz bus, 20 MHz flash */
    LPSPI1_init_master();    /* Initialize LPSPI 1 as master */
    PORT_init();             /* Configure ports */
    for(;;) {
        LPSPI1_transmit_16bits(tx_16bits); /* Transmit half word (16 bits) on LPSPI1 */
        LPSPI1_16bits_read = LPSPI1_receive_16bits(); /* Receive half word on LSPI1 */
        counter++;
    }
}

```


2.8.3.2 LPSPI.c

```

#include "S32K144.h" /* include peripheral declarations S32K144 */
#include "LPSPI.h"
void LPSPI1_init_master(void) {
    PCC->PCCn[PCC_LPSP11_INDEX] = 0;          /* Disable clocks to modify PCS ( default) */
    PCC->PCCn[PCC_LPSP11_INDEX] = 0xC6000000; /* Enable PCS=SPLL_DIV2 (40 MHz func'l clock) */
    LPSPI1->CR = 0x00000000; /* Disable module for configuration */
    LPSPI1->IER = 0x00000000; /* Interrupts not used */
    LPSPI1->DER = 0x00000000; /* DMA not used */
    LPSPI1->CFGR0 = 0x00000000; /* Defaults: */
                                /* RDM0=0: rec'd data to FIFO as normal */
                                /* CIRFIFO=0; Circular FIFO is disabled */
                                /* HRSEL, HRPOL, HREN=0: Host request disabled */
    LPSPI1->CFGR1 = 0x00000001; /* Configurations: master mode*/
                                /* PCSCFG=0: PCS[3:2] are enabled */
                                /* OUTCFG=0: Output data retains last value when CS negated */
                                /* PINCFG=0: SIN is input, SOUT is output */
                                /* MATCFG=0: Match disabled */
                                /* PCSPOL=0: PCS is active low */
                                /* NOSTALL=0: Stall if Tx FIFO empty or Rx FIFO full */
                                /* AUTOPCS=0: does not apply for master mode */
                                /* SAMPLE=0: input data sampled on SCK edge */
                                /* MASTER=1: Master mode */
    LPSPI1->TCR = 0x5300000F; /* Transmit cmd: PCS3, 16bits, prescale func'l clk by 4. */
                                /* CPOL=0: SCK inactive state is low */
                                /* CPHA=1: Change data on SCK lead'g, capture on trail'g edge*/
                                /* PRESCALE=2: Functional clock divided by 2*2 = 4 */
                                /* PCS=3: Transfer using PCS3 */
                                /* LSBF=0: Data is transferred MSB first */
                                /* BYSW=0: Byte swap disabled */
                                /* CONT, CONTC=0: Continuous transfer disabled */
                                /* RXMSK=0: Normal transfer: rx data stored in rx FIFO */
                                /* TXMSK=0: Normal transfer: data loaded from tx FIFO */
                                /* WIDTH=0: Single bit transfer */
                                /* FRAMESZ=15: # bits in frame = 15+1=16 */
    LPSPI1->CCR = 0x04090808; /* Clk dividers based on prescaled func'l clk of 100 nsec */
                                /* SCKPCS=4: SCK to PCS delay = 4+1 = 5 (500 nsec) */
                                /* PCSSCK=4: PCS to SCK delay = 9+1 = 10 (1 usec) */
                                /* DBT=8: Delay between Transfers = 8+2 = 10 (1 usec) */
                                /* SCKDIV=8: SCK divider =8+2 = 10 (1 usec: 1 MHz baud rate) */
    LPSPI1->FCR = 0x00000003; /* RXWATER=0: Rx flags set when Rx FIFO >0 */
                                /* TXWATER=3: Tx flags set when Tx FIFO <= 3 */
}

```

Software examples

```
LPSPi1->CR    = 0x00000009; /* Enable module for operation */
                                   /* DBGEN=1: module enabled in debug mode */
                                   /* DOZEN=0: module enabled in Doze mode */
                                   /* RST=0: Master logic not reset */
                                   /* MEN=1: Module is enabled */
}

void LPSPi1_transmit_16bits (uint16_t send) {
    while((LPSPi1->SR & LPSPi_SR_TDF_MASK)>>LPSPi_SR_TDF_SHIFT==0);
                                   /* Wait for Tx FIFO available */
    LPSPi1->TDR = send;           /* Transmit data */
    LPSPi1->SR |= LPSPi_SR_TDF_MASK; /* Clear TDF flag */
}

uint16_t LPSPi1_receive_16bits (void) {
    uint16_t receive = 0;
    while((LPSPi1->SR & LPSPi_SR_RDF_MASK)>>LPSPi_SR_RDF_SHIFT==0);
                                   /* Wait at least one RxFIFO entry */
    receive= LPSPi1->RDR;         /* Read received data */
    LPSPi1->SR |= LPSPi_SR_RDF_MASK; /* Clear RDF flag */
    return receive;              /* Return received data */
}
```

2.8.3.3 clocks_and_modes.c

See code in [clocks_and_modes.c](#) of the Hello World + Clock example.

2.9 CAN 2.0

2.9.1 Description

Summary: A FlexCAN module is initialized for 500 KHz (2 usec period) bit time based on an 8 MHz crystal. Message buffer 0 transmits 8 byte messages and message buffer 4 can receive 8 byte messages.

This example is intended for two EVBs to be connected together, “Node A” and “Node B”. After Node A is initialized it transmits an initial message. Node A then loops: wait to receive a message from Node B then transmit one back. After Node B is initialized it loops waits to receive a message from Node A then transmits one back.

Initial EVBs, now obsolete, used transceiver MC33903. Code and SBC operation for it is included for reference in the design section.

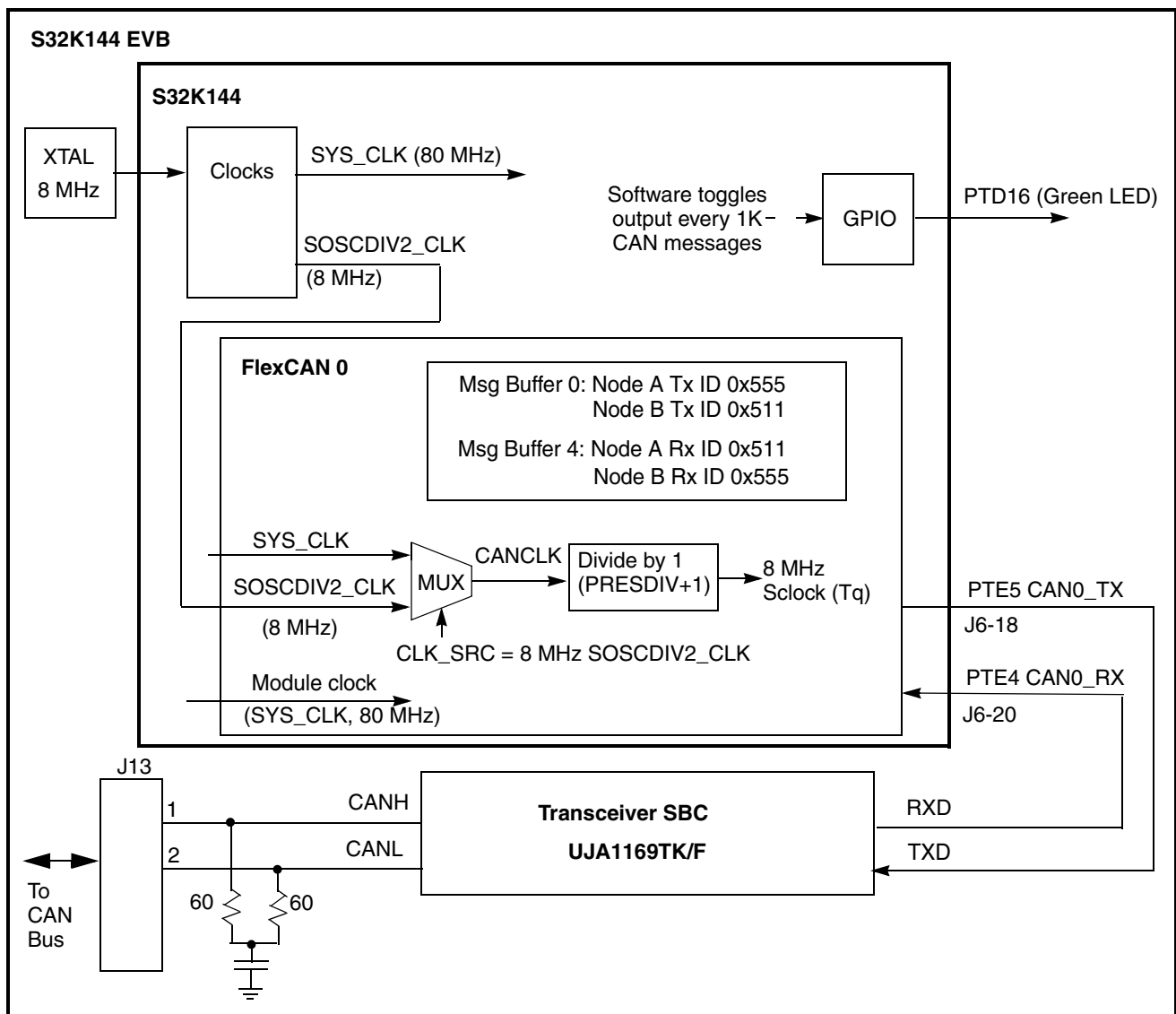


Figure 11. CAN example block diagram. If using two boards, Node A and B transmit / receive different IDs.

2.9.2 Design

2.9.2.1 CAN 2.0 timing calculations

These common guidelines are used in CAN 2.0 example for a desired bit rate of 500 KHz:

- CAN bit rate period is typically subdivided into 12–20 time quanta¹.
- The sample point is normally chosen around 75%–80% through the bit rate period.
- The remaining 20–25% will be the value for Phase_Seg2.
- The value of Phase_Seg1 will be the same as Phase_Seg2.
- The Sync_Seg is 1 time quantum.
- Resync Jump Width (RJW+1) = Phase_Seg2 (if Phase_Seg2 < 4; otherwise (RJW +1) = 4).

For this example and within the above guidelines, these are the values selected for the CAN module:

- Number of time quanta per bit rate period = 16
- Sample point = 75%, which is 12 time quanta into the 16 time quantum period

Hence,

$$\text{Phase_Seg2} = (100\% - 75\%) \times 16 \text{ time quanta} = 25\% \times 16 \text{ time quanta} = 4 \text{ time quanta}; \text{PSEG2} = 3$$

$$\text{Phase_Seg1} = \text{Phase_Seg2} = 4 \text{ time quanta}; \text{PSEG1} = 3$$

$$\text{Prop_Seg} = 16 - \text{Phase_Seg1} - \text{Phase_Seg2} - \text{SYNCSEG} = 16 - 4 - 4 - 1 = 7; \text{PROPSEG} = 6$$

$$\text{Resync Jump Width (RJW + 1)} = 4$$

Also for this example, the following applies for an 8 MHz crystal.

$$f_{\text{CANCLK}} = 8 \text{ MHz (EVB oscillator)}$$

Hence,

$$f_{\text{Sclck}} \text{ (time quantum freq.)} = (16 \text{ time quanta/bit rate period}) \times (500 \text{ K bit rate periods/sec}) = 8 \text{ MHz}$$

$$\text{Prescaler Value (PRES DIV + 1)} = f_{\text{CANCLK}} / f_{\text{Sclck}} = 8 \text{ MHz} / 8 \text{ MHz} = 1$$

$$\text{PRES DIV} = 1 - 1 = 0$$

Table 8. CAN 2FD example timing segments summary. Sclck = 8 MHz and bit rate = 500 KHz.

	SYNCSEG Time Quanta	PROP_SEG Time Quanta	PHASE_SEG1 Time Quanta	PHASE_SEG2 Time Quanta	Number of Time Quanta per bit time
CAN 2.0 Time Quanta	1	7	4	4	16
CAN_CTRL1 register bit fields	–	PROPSEG = 6	PSEG1 = 3	PSEG 2 = 3	-

1. “quantum” is the singular term; “quanta” is the plural term.

2.9.2.2 CAN 2.0 message buffer structure

Below is the CAN 2.0 message buffer. The NXP FlexCAN header file implements a structure of words instead of bytes, where a word is four bytes.

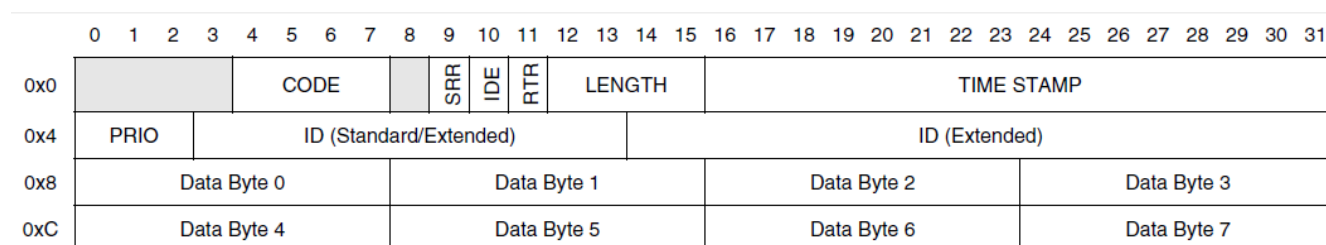


Figure 12. CAN 2.0 message buffer structure (Version 2.0 Part B)

2.9.2.3 Design steps

- Disable watchdog
- Initialize SOSC for 8 MHz, sysclk for 80 MHz and switch Normal RUN mode clock to SPLL
- Initialize FlexCAN 0:
 - Enable clock to module
 - Select OSC for clock source
 - Configure bit timing for 500 KHz transmit/receive
 - Invalidate all message buffers
 - Set incoming mask and global mask bits to check all ID bits of received messages
 - Configure Message Buffer 4 for receive, ID 0x556, Standard ID
 - Negate module halt state for 32 Message Buffers
- Initialize port pins:
 - Enable clock to PORT E
 - PTE4, PTE5: Configure as CAN0_RX, CAN0_TX
 - If SBC is MC33903, enable clock to Port B and configure port pins PTB14 :PTB17 for LSPI1
- If transceiver SBC is MC33903, initialize LPSPI and SBC for CAN transceiver operation
- Node A only: Transmit one message with Message Buffer 0, standard ID 0x555

NOTE

If the CAN transceiver is not powered or needs initialization, transmitted CAN frames will not be seen because the CAN_RX will not see CAN_TX signal. If not using the transceiver, CAN0_TX and CAN0_RX can be jumpered together. Without a response, the node keeps transmitting.

- Loop:
 - If Message Buffer 4 receive message flag is set, read message
 - If Message Buffer 0 transmit done flag is set, send another message

2.9.2.4 Screenshots

The screen shots below show the start of the CAN transmit frame using ID = 0x555 as follows:

- Before cursors: 1 sync bit (0), 11 standard ID bits (0x555 = 0b101 0101 0101), RTR, IDE, r0 (3 0's)
- Between cursors (8 usec = 4 bit times of 2 usec each): Data Length Control: (0x8 or 0b1000)
- After second cursor: Data (0xA, or 0xb1010.... and so on.)

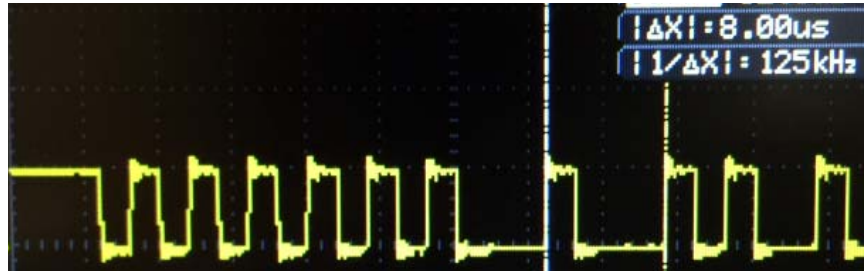


Figure 13. TxD pin at start of CAN 2.0 transmit frame with standard ID 0x555



Figure 14. CANH, CANL at start of CAN 2.0 transmit frame with standard ID 0x555

The following screenshot displays the result CAN frames between two EVB nodes using the Vehicle Spy CAN tool from Intrepid Control Systems.

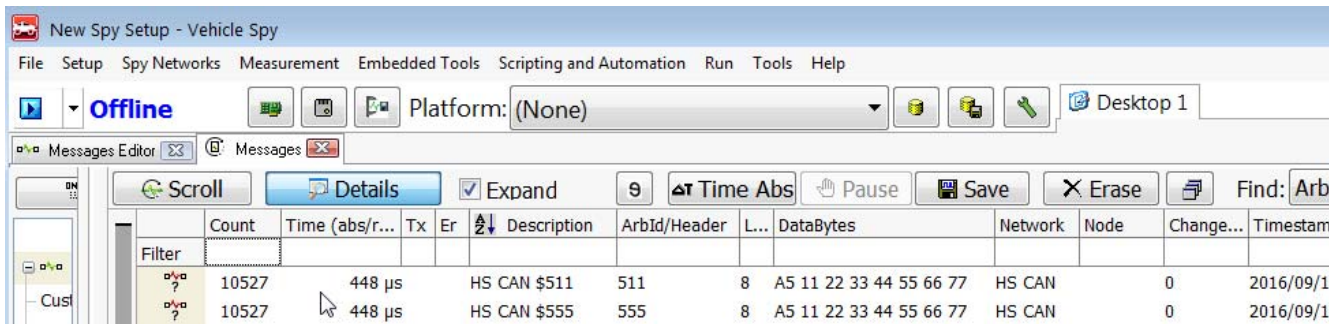


Figure 15. CAN frames transmitted and received

2.9.2.5 Example operation

To run the example with two boards perform the following steps:

1. Connect CAN High, CAN Low and ground between the two boards with a cable as shown
2. Connect 12 V power supply to both boards
3. Move power supply selection jumper to use external 12 V (away from CAN connector per arrows below).

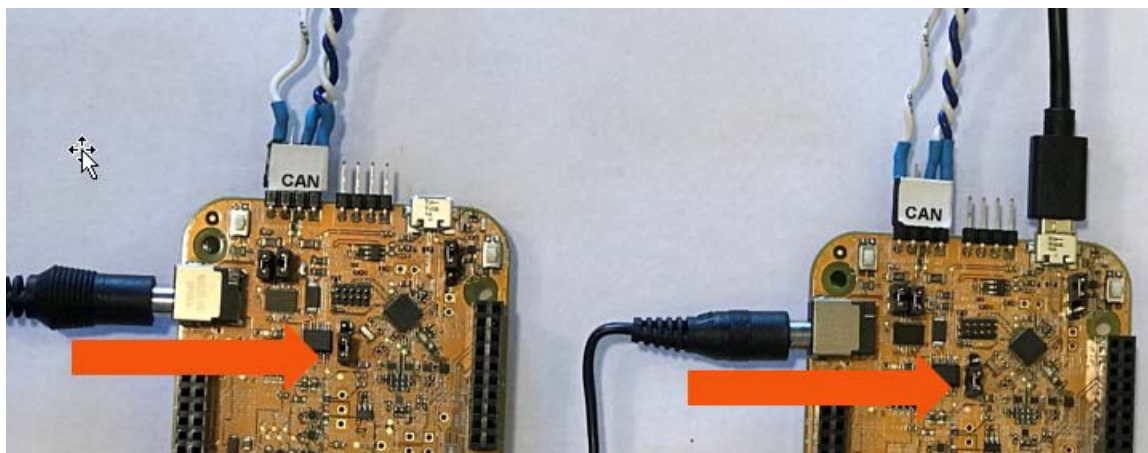


Figure 16. Connections and jumper setting for CAN examples

4. Configure code for Node B by commenting out the line in FlexCAN.h as shown below:

```
///define Node A
```
5. Build the program
6. Flash program to the “Node B” EVB
7. Configure code for Node A by un-commenting out the line in FlexCAN.h as shown below:

```
#define Node A
```
8. Build the program
9. Flash program to the “Node A” EVB
10. With both boards powered, start the program on Node A which starts the transmission sequence.

The green LEDs on the boards will toggle flashing every 1000 CAN transmitted and received messages.

2.9.2.6 Reference: MC33903 SBC

The initial evaluation board (schematic SCH-28810 label on back of board) uses SBC MC33903 which requires configuring CAN and LIN interfaces over SPI. The following minimal simple sequence can be used.

Table 9. SBC MC33903C transmitted commands and expected received status over SPI

Step	Transmit Command	Transmitted Description	Expected Receive Status	Received Description
Verify SPI communication (by reading device ID ¹)	0x2580	Read SAFE register: <ul style="list-style-type: none"> Lower 5 bits of returned data <i>Reference: p. 85 & 90, MC33903_4_5 Data Sheet, Rev 12.0, 8/2016</i>	Non zero. (Example: 0x00F4)	Read command returned flags: <ul style="list-style-type: none"> Upper byte (Fixed status): Lower byte (Register status): <ul style="list-style-type: none"> bit 7 (0b1):Vdd is 5 V bits 6:5 (0b11): part # bits 4:0 (0b10100):device ID
Read possible reset causes	0xDF80	Read REG H (Regulator High) register to read upper 8 status bits <ul style="list-style-type: none"> Assume BATFAIL is high, so device requires initialization Reading register clears flags <i>Reference: p. 85, MC33903_4_5 Data Sheet, Rev 12.0, 8/2016</i>	0x0000	Read command returned flags: <ul style="list-style-type: none"> Upper byte (Fixed status): Lower byte (Upper 8 bits of register status): (If bit BATFAIL is low, then the previous initialization would still be intact.)
Enable configuring CAN and LIN (by transitioning to normal mode)	0x5A00	Write to Watchdog Refresh register: <ul style="list-style-type: none"> Transitions from init to normal mode (Note: EVB HW disables SBC watchdog) <i>Reference: p. 75, MC33903_4_5 Data Sheet, Rev 12.0, 8/2016</i>	0x0000	Write command returned flags: <ul style="list-style-type: none"> Upper byte (Fixed status): Lower byte (Extended status):
Enable CAN voltage regulator	0x5E10	Write to REG (Regulator) register: <ul style="list-style-type: none"> Turn on 5 V-CAN regulator <i>Reference: p. 79, MC33903_4_5 Data Sheet, Rev 12.0, 8/2016</i>	0x0000	Write command returned flags: <ul style="list-style-type: none"> Upper byte (Fixed status): Lower byte (Extended status):
Enable CAN Tx & Rx	0x60C0	Write to CAN register: <ul style="list-style-type: none"> Enable Tx & Rx modes, Fast CAN slew rate 3 dominant pulses wake up, INT generation after 5 dominant pulses <i>Reference: p80. , MC33903_4_5 Data Sheet, Rev 12.0, 8/2016</i>	0x0000	Write command returned flags: <ul style="list-style-type: none"> Upper byte (Fixed status): Lower byte (Extended status):
Enable LIN for Tx & Rx	0x66C4	Write to LIN/1 register <ul style="list-style-type: none"> Tx/Rx mode Slew rate for 20 Kbits/s Termination on Recessive when Vsup2 type < 6 V <i>Reference: p. 83, MC33903_4_5 Data Sheet, Rev 12.0, 8/2016</i>	0x0000	Write command returned flags: <ul style="list-style-type: none"> Upper byte (Fixed status): Lower byte (Extended status):

¹ NOTE: If the received status is 0x0000, then likely the device is not powered. Ensure 12 V is connected to the EVB and the power source selection jumper J107 has pins 1-2 connected (default is 2-3).

2.9.3 Code

2.9.3.1 main.c

```

#include "S32K144.h" /* include peripheral declarations S32K144 */
#include "FlexCAN.h"
#include "clocks_and_modes.h"
void WDOG_disable (void){
    WDOG->CNT=0xD928C520; /* Unlock watchdog */
    WDOG->TOVAL=0x0000FFFF; /* Maximum timeout value */
    WDOG->CS = 0x00002100; /* Disable watchdog */
}
void PORT_init (void) {
    PCC->PCCn[PCC_PORTE_INDEX] |= PCC_PCCn_CGC_MASK; /* Enable clock for PORTE */
    PORTE->PCR[4] |= PORT_PCR_MUX(5); /* Port E4: MUX = ALT5, CAN0_RX */
    PORTE->PCR[5] |= PORT_PCR_MUX(5); /* Port E5: MUX = ALT5, CAN0_TX */
    PCC->PCCn[PCC_PORTD_INDEX] |= PCC_PCCn_CGC_MASK; /* Enable clock for PORTD */
    PORTD->PCR[16] = 0x00000100; /* Port D16: MUX = GPIO (to green LED) */
    PTD->PDDR |= 1<<16; /* Port D16: Data direction = output */
}
int main(void) {
    uint32_t rx_msg_count = 0;
    WDOG_disable();
    SOSC_init_8MHz(); /* Initialize system oscillator for 8 MHz xtal */
    SPLL_init_80MHz(); /* Initialize SPLL to 80 MHz with 8 MHz SOSC */
    NormalRUNmode_80MHz(); /* Init clocks: 80 MHz SPLL & core, 40 MHz bus, 20 MHz flash */
    FLEXCAN0_init(); /* Init FlexCAN0 */
    PORT_init(); /* Configure ports */
#ifdef NODE_A /* Node A transmits first; Node B transmits after reception */
    FLEXCAN0_transmit_msg(); /* Transmit initial message from Node A to Node B */
#endif
    for (;;) { /* Loop: if a msg is received, transmit a msg */
        if ((CAN0->IFLAG1 >> 4) & 1) { /* If CAN 0 MB 4 flag is set (received msg), read MB4 */
            FLEXCAN0_receive_msg (); /* Read message */
            rx_msg_count++; /* Increment receive msg counter */
            if (rx_msg_count == 1000) { /* If 1000 messages have been received, */
                PTD->PTOR |= 1<<16; /* toggle output port D16 (Green LED) */
                rx_msg_count = 0; /* and reset message counter */
            }
            FLEXCAN0_transmit_msg (); /* Transmit message using MB0 */
        }
    }
}

```

2.9.3.2 FlexCAN.c

```

#include "S32K144.h" /* include peripheral declarations S32K144 */
#include "FlexCAN.h"
uint32_t RxCODE;          /* Received message buffer code */
uint32_t RxID;            /* Received message ID */
uint32_t RxLENGTH;        /* Received message number of data bytes */
uint32_t RxDATA[2];       /* Received message data (2 words) */
uint32_t RxTIMESTAMP;     /* Received message time */

void FLEXCAN0_init(void) {
#define MSG_BUF_SIZE 4 /* Msg Buffer Size. (CAN 2.0AB: 2 hdr + 2 data= 4 words) */
    uint32_t i=0;
    PCC->PCCn[PCC_FLEXCAN0_INDEX] |= PCC_PCCn_CGC_MASK; /* CGC=1: enable clock to FlexCAN0 */
    CAN0->MCR |= CAN_MCR_MDIS_MASK; /* MDIS=1: Disable module before selecting clock */
    CAN0->CTRL1 &= ~CAN_CTRL1_CLKSRC_MASK; /* CLKSRC=0: Clock Source = oscillator (8 MHz) */
    CAN0->MCR &= ~CAN_MCR_MDIS_MASK; /* MDIS=0; Enable module config. (Sets FRZ, HALT)*/
    while (!((CAN0->MCR & CAN_MCR_FRZACK_MASK) >> CAN_MCR_FRZACK_SHIFT)) {}
        /* Good practice: wait for FRZACK=1 on freeze mode entry/exit */
    CAN0->CTRL1 = 0x00DB0006; /* Configure for 500 KHz bit time */
        /* Time quanta freq = 16 time quanta x 500 KHz bit time= 8MHz */
        /* PRESDIV+1 = Fclksrc/Ftq = 8 MHz/8 MHz = 1 */
        /* so PRESDIV = 0 */
        /* PSEG2 = Phase_Seg2 - 1 = 4 - 1 = 3 */
        /* PSEG1 = PSEG2 = 3 */
        /* PROPSEG= Prop_Seg - 1 = 7 - 1 = 6 */
        /* RJW: since Phase_Seg2 >=4, RJW+1=4 so RJW=3. */
        /* SMP = 1: use 3 bits per CAN sample */
        /* CLKSRC=0 (unchanged): Fcanclk= Fosc= 8 MHz */
    for(i=0; i<128; i++ ) { /* CAN0: clear 32 msg bufs x 4 words/msg buf = 128 words*/
        CAN0->RAMn[i] = 0; /* Clear msg buf word */
    }
    for(i=0; i<16; i++ ) { /* In FRZ mode, init CAN0 16 msg buf filters */
        CAN0->RXIMR[i] = 0xFFFFFFFF; /* Check all ID bits for incoming messages */
    }
    CAN0->RXMGMASK = 0x1FFFFFFF; /* Global acceptance mask: check all ID bits */
    CAN0->RAMn[ 4*MSG_BUF_SIZE + 0] = 0x04000000; /* Msg Buf 4, word 0: Enable for reception */
        /* EDL,BRS,ESI=0: CANFD not used */
        /* CODE=4: MB set to RX inactive */
        /* IDE=0: Standard ID */
        /* SRR, RTR, TIME STAMP = 0: not applicable */
#ifdef NODE_A
        /* Node A receives msg with std ID 0x511 */
    CAN0->RAMn[ 4*MSG_BUF_SIZE + 1] = 0x14440000; /* Msg Buf 4, word 1: Standard ID = 0x111 */
#endif
}

```

```

#else                                     /* Node B to receive msg with std ID 0x555 */
    CAN0->RAMn[ 4*MSG_BUF_SIZE + 1] = 0x15540000; /* Msg Buf 4, word 1: Standard ID = 0x555 */
#endif

                                     /* PRIO = 0: CANFD not used */
CAN0->MCR = 0x0000001F; /* Negate FlexCAN 1 halt state for 32 MBs */
while ((CAN0->MCR && CAN_MCR_FRZACK_MASK) >> CAN_MCR_FRZACK_SHIFT) {}
    /* Good practice: wait for FRZACK to clear (not in freeze mode) */
while ((CAN0->MCR && CAN_MCR_NOTRDY_MASK) >> CAN_MCR_NOTRDY_SHIFT) {}
    /* Good practice: wait for NOTRDY to clear (module ready) */
}

void FLEXCAN0_transmit_msg(void) { /* Assumption: Message buffer CODE is INACTIVE */
    CAN0->IFLAG1 = 0x00000001; /* Clear CAN 0 MB 0 flag without clearing others*/
    CAN0->RAMn[ 0*MSG_BUF_SIZE + 2] = 0xA5112233; /* MB0 word 2: data word 0 */
    CAN0->RAMn[ 0*MSG_BUF_SIZE + 3] = 0x44556677; /* MB0 word 3: data word 1 */
#ifdef NODE_A
    CAN0->RAMn[ 0*MSG_BUF_SIZE + 1] = 0x15540000; /* MB0 word 1: Tx msg with STD ID 0x555 */
#else
    CAN0->RAMn[ 0*MSG_BUF_SIZE + 1] = 0x14440000; /* MB0 word 1: Tx msg with STD ID 0x511 */
#endif
    CAN0->RAMn[ 0*MSG_BUF_SIZE + 0] = 0x0C400000 | 8 <<CAN_WMBn_CS_DLC_SHIFT; /* MB0 word 0: */
                                     /* EDL,BRS,ESI=0: CANFD not used */
                                     /* CODE=0xC: Activate msg buf to transmit */
                                     /* IDE=0: Standard ID */
                                     /* SRR=1 Tx frame (not req'd for std ID) */
                                     /* RTR = 0: data, not remote tx request frame*/
                                     /* DLC = 8 bytes */
}

void FLEXCAN0_receive_msg(void) { /* Receive msg from ID 0x556 using msg buffer 4 */
    uint8_t j;
    uint32_t dummy;

    RxCODE = (CAN0->RAMn[ 4*MSG_BUF_SIZE + 0] & 0x07000000) >> 24; /* Read CODE field */
    RxID = (CAN0->RAMn[ 4*MSG_BUF_SIZE + 1] & CAN_WMBn_ID_ID_MASK) >>CAN_WMBn_ID_ID_SHIFT ;
    RxLENGTH =(CAN0->RAMn[ 4*MSG_BUF_SIZE + 0] & CAN_WMBn_CS_DLC_MASK)>>CAN_WMBn_CS_DLC_SHIFT;
    for (j=0; j<2; j++) { /* Read two words of data (8 bytes) */
        RxDATA[j] = CAN0->RAMn[ 4*MSG_BUF_SIZE + 2 + j];
    }
    RxTIMESTAMP = (CAN0->RAMn[ 0*MSG_BUF_SIZE + 0] & 0x000FFFF);
    dummy = CAN0->TIMER; /* Read TIMER to unlock message buffers */
    CAN0->IFLAG1 = 0x00000010; /* Clear CAN 0 MB 4 flag without clearing others*/
}

```

2.9.3.3 FlexCAN.h (Partial listing)

```
#define NODE_A          /* If using 2 boards as 2 nodes, NODE A & B use different CAN IDs */
```

2.9.3.4 clocks_and_modes.c

See code in [clocks_and_modes.c](#) of the Hello World + Clock example.

2.9.3.5 Reference: MC33903 code for obsolete EVB (not included in project)

LPSP11 initialization, transmit and receiver functions: See code for functions in SPI example.

Port pin initialization:

```
#ifndef SBC_MC33903 /* If board has MC33904, SPI pin config. is required */
    PCC->PCCn[PCC_PORTB_INDEX] |= PCC_PCCn_CGC_MASK; /* Enable clock for PORTB */
    PORTB->PCR[14] |= PORT_PCR_MUX(3); /* Port B14: MUX = ALT3, LPSP11_SCK */
    PORTB->PCR[15] |= PORT_PCR_MUX(3); /* Port B15: MUX = ALT3, LPSP11_SIN */
    PORTB->PCR[16] |= PORT_PCR_MUX(3); /* Port B16: MUX = ALT3, LPSP11_SOUT */
    PORTB->PCR[17] |= PORT_PCR_MUX(3); /* Port B17: MUX = ALT3, LPSP11_PCS3 */
#endif
```

MC33903 initialization using LPSP11:

```
void LPSP11_init_MC33903(void) {
    uint32_t i = 0; /* Loop counter */
    uint16_t MC33903_spi_init[] = { /* SPI commands and data to initialize MC33903C */
        0x2580, /* Read SAFE register flags: bits 4:0 contain nonzero ID */
        0xDF80, /* Read Vreg High flags: */
        0x5A00, /* Write Watchdog reg.: Enter NORMAL mode*/
        0x5E10, /* Write Regulator reg.: Enable 5V CAN regulator */
        0x60C0, /* Write CAN reg.: CAN in Tx & Rx modes, fast slew */
        0x66C4}; /* Write LIN/1 reg.: Tx/Rx mode, 20 Kbps slew, term. on */
    uint16_t spi_result = 0; /* Result received SPI data from SBC */
    /* Note: MC33904 DBG input on EVB is tied to 9V nominal, */
    /* which puts device in a debug state */
    /* which disables the SBC's watchdog. */
    for (i=0; i< sizeof (MC33903_spi_init)/2; i++) {
        LPSP11_transmit_16bits (MC33903_spi_init[i]); /* Transmit to MC33904 */
        spi_result = LPSP11_receive_16bits(); /* Read result */
        /* Note: It is good practice to verify SPI configuration by */
        /* reading appropriate flags/registers, especially */
        /* fault flags, after configuration routines. */
    }
}
```

2.10 CAN FD

2.10.1 Description

Summary: This example ports the prior Classic CAN example to CAN FD with increased data payload and at a CAN FD data phase bit time of 2 MHz¹. Message size is increased to 64 bytes

This example is intended for two EVBs to be connected together, “Node A” and “Node B”. After Node A is initialized it transmits an initial message. Node A then loops: wait to receive a message from Node B then transmit one back. After Node B is initialized it loops waits to receive a message from Node A then transmits one back.

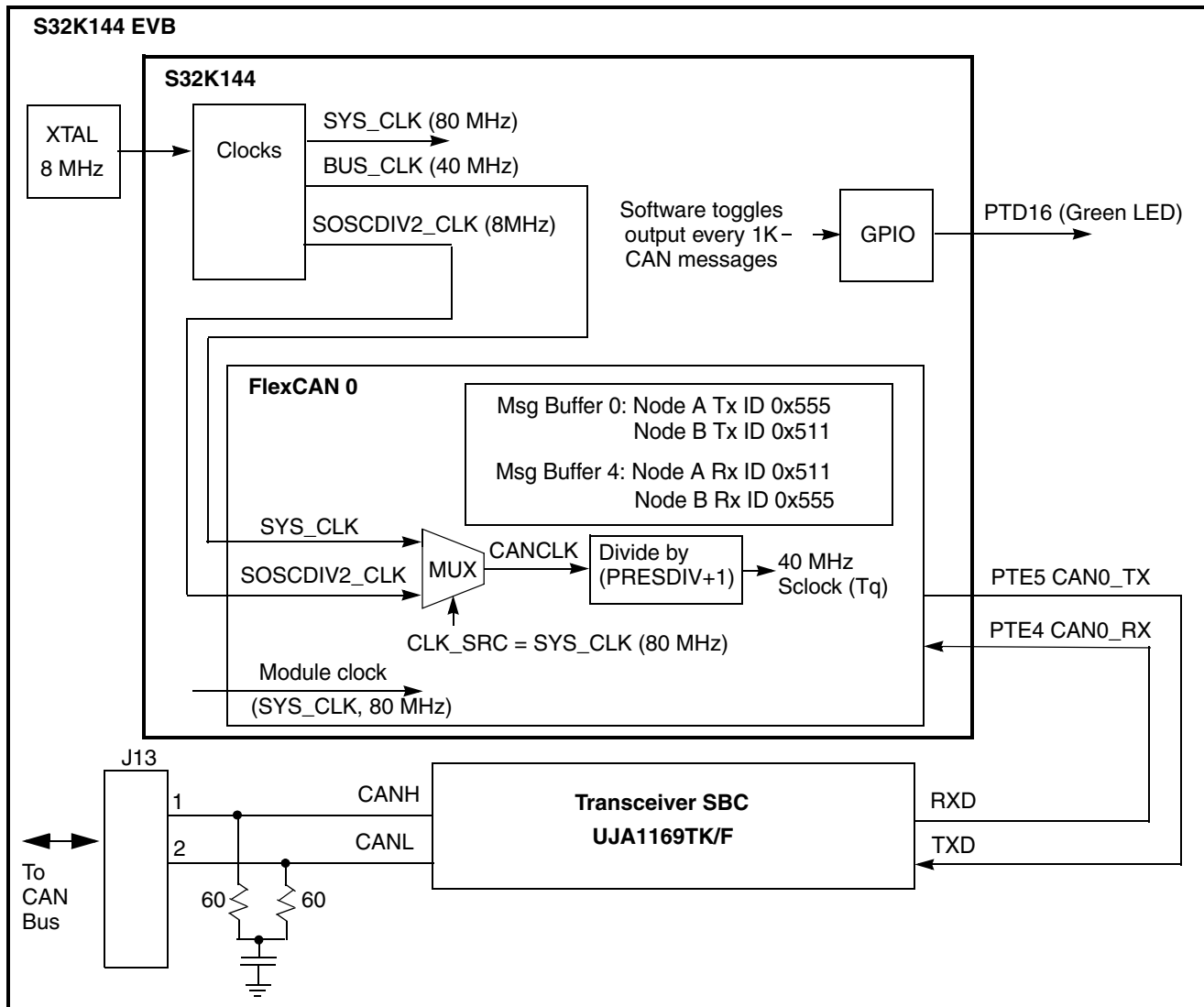


Figure 17. CAN FD example block diagram. Nodes A and B transmit / receive different IDs

1. Initial S32K144 EVBs use MC33903C transceiver, which is not rated for High Speed CAN bit times, not the faster CAN FD bit times. If using this transceiver, data phase timing is limited to 1 MHz. See code in Design section for reference.

2.10.2 Design

2.10.2.1 CAN 2.0 vs. CAN FD initialization summary

Below is a brief comparison of FlexCAN module initializations used for these examples. At a quick glance, the differences are different bit timing and additions of controls for transceiver delay compensation, payload size, CAN FD and CAN FD ISO fix.

Table 10. FlexCAN module initialization summary of classic CAN vs CAN FD examples

Initialization	Classic CAN registers, memory	CAN FD registers, memory
Clock source selection	CAN_CTRL1, CAN_MCR	CAN_CTRL1, CAN_MCR
CAN bit timing	CAN_CTRL1	Nominal phase: CAN_CBT Data phase: CAN_FDCBT
Transceiver Delay Compensation	—	CAN_FDCTRL
Payload (message buffer data) size	—	CAN_FDCTRL
Message buffers inactivation	RAMn	RAMn (optional larger sizes)
Tx and Rx message buffer configuration	RAMn	RAMn (optional larger sizes)
Enable ISO version CAN FD (CRC fix)	—	CAN_CTRL2 [STFCNTEN]
Enable CAN FD	—	CAN_MCR
Negate halt state	CAN_MCR	CAN_MCR

2.10.2.2 CAN FD bit timing

When CAN FD is enabled ($CAN_MDR[FDEN] = 1$), extended bit timing variables in CAN_CBT must be used as a replacement for the bit timing variables in CAN_CTRL1 . This example configures the extended bit timing variables (in nominal phase) for a 500 KHz Nominal Bit Time rate.

If the CAN FD Bit Rate Switch (BPS) feature will be used to increase the bit rate in the Data Phase, fast bit timing variables in CAN_FDCBT must also be used. This example configures the fast timing variables (data phase) for a 2 MHz Data Bit Time rate..

Clock source selection:

- CAN bit rate period is subdivided into units called time quanta¹
- The minimum number of time quanta per CAN bit rate is 8
- CANCLK source: For 2 Mhz bit time, the minimum f_{CANCLK} is $8 \times 2 \text{ Mhz} = 16 \text{ MHz}$
— $CAN_CTRL1[CLKSRC] = SYS_CLK$ (because SOSC is only 8 MHz)

Prescalers for nominal and data phases:

- The prescaler value used will be 2:
— $S_{clock} = CAN_CLK / \text{prescaler} = 80 \text{ MHz} / 2 = 40 \text{ MHz}$
— $CAN_CBT[EPRESDIV] = CAN_FDCBT[FDPRESDIV] = \text{prescaler} - 1 = 1$

1. “quantum” is the singular term; “quanta” is the plural term.

Table 11. CAN FD example timing segments summary. Sclock = 40 MHz and prescaler = divide by 1.

Phase and Applicable Register	Bit Rate	Time Quanta per bit time (Sclock / Bit Rate)	SYNCSEG Time Quanta	PROP_SEG Time Quanta	PHASE_SEG1 Time Quanta	PHASE_SEG2 Time Quanta	Resync Jump Width Time Quanta
Nominal Phase CAN_CBT	500 KHz	40MHz / 500KHz = 80 tq	1	47	16	16	16
		—	—	EPROPSEG = 46	EPSEG1 = 15	EPSEG2 = 15	ERJW = 15
Data Phase CAN_FDCBT	2 MHz	40 Mhz / 2 MHz = 20 tq	1	7	8	4	4
		—	—	FPROPSEG = 7	FPSEG1 = 7	FPSEG 2 = 3	FRJW = 3

2.10.2.3 Transceiver Delay Compensation (TDC)

Transmitted bits are checked for errors by verifying the transmitted bits are “heard” on the CAN receive pin of the transmitting module. The received state is sampled during the transmit bit time using a sample point that allows for normal delay in the transceiver of “looping” the transmit bit back to the receive input.

With a higher bit rate during the data phase of a CAN FD frame, the actual bit time could be shorter than the transceivers loop time, causing an unintended error being detected. To compensate for this, a secondary sample point can be used instead of the normal one by enabling FDCTRL[TDCEN]. This new sample point is the sum of the loop delay measured by hardware and a software defined offset time defined in FDCTRL[TDCOFF].

For example, one could choose the sample point at about 50% of the bit time. An estimate of the loop time can be derived from the transceiver data sheet. TDC is based on the number of CANCLKs which in this example is 25 nsec for 40 MHz CANCLK (125 nsec if CANCLK is 8 MHz OSC).

The TDC offset is determined for this example as follows based on MC33903:

$$\begin{aligned}
 50\% \text{ bit time} &= \text{estimate of measured loop delay in transceiver} + \text{software defined offset} \\
 &= \text{MC33903 } t_{\text{LDR}} \text{ (typ. propagation loop delay, fast slew)} + \text{TDCOFF} \\
 &= 120 \text{ ns} + \text{TDCOFF}
 \end{aligned}$$

For 1 MHz data phase, the offset is:

$$\begin{aligned}
 \text{TDCOFF} &= (50\% \times 1000 \text{ nsec}) - 120 \text{ nsec} = 500 \text{ nsec} - 120 \text{ nsec} = 380 \text{ nsec} \\
 &\sim 15 \text{ CANCLKs (@25 nsec per CANCLK)}
 \end{aligned}$$

For 2 MHz data phase, the offset is:

$$\begin{aligned}
 \text{TDCOFF} &= (50\% \times 500 \text{ nsec}) - 120 \text{ nsec} = 250 \text{ nsec} - 120 \text{ nsec} = 130 \text{ nsec} \\
 &\sim 5 \text{ CANCLKs (@25 nsec per CANCLK)}
 \end{aligned}$$

2.10.2.4 CAN FD message buffer structure

CAN FD frames have additional controls and optionally additional data. These additions are reflected in the CAN FD message buffer structure per below.

	31	30	29	28	27	24	23	22	21	20	19	18	17	16	15	8	7	0	
0x0	EDL	BRS	ESI		CODE		SRR	IDE	RTR		DLC				TIME STAMP				
0x4	PRIO			ID (Standard/Extended)								ID (Extended)							
0x8	Data Byte 0				Data Byte 1				Data Byte 2				Data Byte 3						
0xC	Data Byte 4				Data Byte 5				Data Byte 6				Data Byte 7						
0x10	Data Byte 8				Data Byte 9				Data Byte 10				Data Byte 11						
0x14	Data Byte 12				Data Byte 13				Data Byte 14				Data Byte 15						
0x18	Data Byte 16				Data Byte 17				Data Byte 18				Data Byte 19						
0x1C	Data Byte 20				Data Byte 21				Data Byte 22				Data Byte 23						
0x20	Data Byte 24				Data Byte 25				Data Byte 26				Data Byte 27						
0x24	Data Byte 28				Data Byte 29				Data Byte 30				Data Byte 31						
0x28	Data Byte 32				Data Byte 33				Data Byte 34				Data Byte 35						
0x2C	Data Byte 36				Data Byte 37				Data Byte 38				Data Byte 39						
0x30	Data Byte 40				Data Byte 41				Data Byte 42				Data Byte 43						
0x34	Data Byte 44				Data Byte 45				Data Byte 46				Data Byte 47						
0x38	Data Byte 48				Data Byte 49				Data Byte 50				Data Byte 51						

Figure 18. CAN FD message buffer structure (partial list for 64 byte payload)

2.10.2.5 Accessing message buffers

S32K14x FlexCAN message buffers are implemented in a RAM arrays. For CAN FD, RAM array's index to the start of a message buffer depends on the size of the message buffer's data size, as configured in register CAN_FDCTRL [MBDSRx] bitfield.

Header files provided by NXP define the message buffer RAM as an array of 4-byte words. The following tables illustrate indexes to the start of message buffers for various data payload sizes and the maximum number of message buffers for that payload for S32K144 FlexCAN 0.

Table 12. S32K144 FlexCAN0: RAMn word index to start of Message Buffer (MB).

RAM Index (words, 4B each)	8 Bytes Data (MSBDRx = 0)		16 Bytes Data (MSBDRx = 1)		32 Bytes Data (MSBDRx = 2)		64 Bytes Data (MSBDRx = 3)	
	MB # (32 max.)	Frame	MB # (20 max.)	Frame	MB # (11 max.)	Frame	MB # (6 max.)	Frame
0x0	MB0	8B Hdr.	MB0	8B Hdr.	MB0	8B Hdr.	MB0	8B Hdr.
0x2		8B Data		16B Data				
0x4	MB1	8B Hdr.	MB1	8B Hdr.	MB0	32B Data	MB0	64B Data
0x8		8B Data						
0xA	MB2	8B Hdr.	MB1	8B Hdr.	MB1	8B Hdr.	MB0	64B Data
0xC		8B Data						
0xE	MB3	8B Hdr.	MB2	8B Hdr.	MB1	32B Data	MB0	64B Data
0x10		8B Data						
0x12	MB4	8B Hdr.	MB4	8B Hdr.	MB2	8B Hdr.	MB1	8B Hdr.
0x14		8B Data						
0x16	MB5	8B Hdr.	MB4	8B Hdr.	MB2	32B Data	MB1	64B Data
0x18		8B Data						
0x1A	MB6	8B Hdr.	MB5	8B Hdr.	MB2	32B Data	MB1	64B Data
0x1C		8B Data						
etc.								

Table 13. S32K144 FlexCAN 0: CAN FD maximum number of message buffers

8 Bytes Data (MSBDRx = 0)	16 Bytes Data (MSBDRx = 1)	32 Bytes Data (MSBDRx = 2)	64 Bytes Data (MSBDRx = 3)
32 Message Buffers	21 Message Buffers	12 Message Buffers	7 Message Buffers

To access a word in a message buffer, add the index of the start of the message buffer plus an index of the word number in the message buffer:

```
CANx->RAMn[(index of start of message buffer) + (index of word inside message buffer)]
```

Example: For 64-byte payload, initialize message buffer 2's second data word (index value of 3 since header words are indexes 0, 1 and data word is index 2):

```
CANx->RAMn[(0x24 + 0x3)] = 0x12345678; /* MB2, 2nd data word */
```

Code can be generalized to access a message buffer's word using the MBDSRx bitfield. Example

```
#define MBDSR0 3 /* Msg Buffer Data Size for Region 0: 3 (64 bytes or 16 words) */
uint32_t msg_buf_size_r0; /* Message Buffer size, region 0, in words */

msg_buf_size_r0 = 2 + exp2(MBDSR0+1); /* Msg Buf Size Reg 0 = 2 hdr + 2**4 data words */

CAN0->RAMn[4*msg_buf_size_r0 + 0] |= 1<<31; /* MB4 word 0: set bit 31, EDL = 1 */
```

2.10.2.6 Design steps

- Disable watchdog
- Initialize SOSC for 8 MHz, sysclk for 80 MHz and switch Normal RUN mode clock to SPLL
- Initialize FlexCAN 0:
 - Enable clock to module
 - Select SYS_CLK (80 MHz) for clock source
 - Configure bit timing for bit rates of 500 KHz nominal phase and 2 MHz data phase
 - Configure transceiver delay compensation
 - Configure payload size
 - Inactivate all message buffers
 - Set up desired transmit and receive buffers
 - Enable CRC fix for ISO CAN FD
 - Enable CAN FD and negate module halt state for 32 Message Buffers
- Initialize port pins:
 - Enable clock to PORT E and configure PTE4, PTE5 as CAN0_RX, CAN0_TX
 - If SBC is MC33903, enable clock to Port B and configure port pins PTB14:PTB17 for LSP11
- If transceiver SBC is MC33903, initialize LPSPI and SBC for CAN transceiver operation
- Node A only: Transmit one message with Message Buffer 0, standard ID 0x555
- Loop:
 - If Message Buffer 4 receive message flag is set, read message
 - If Message Buffer 0 transmit done flag is set, send another message

2.10.2.7 Screen shot

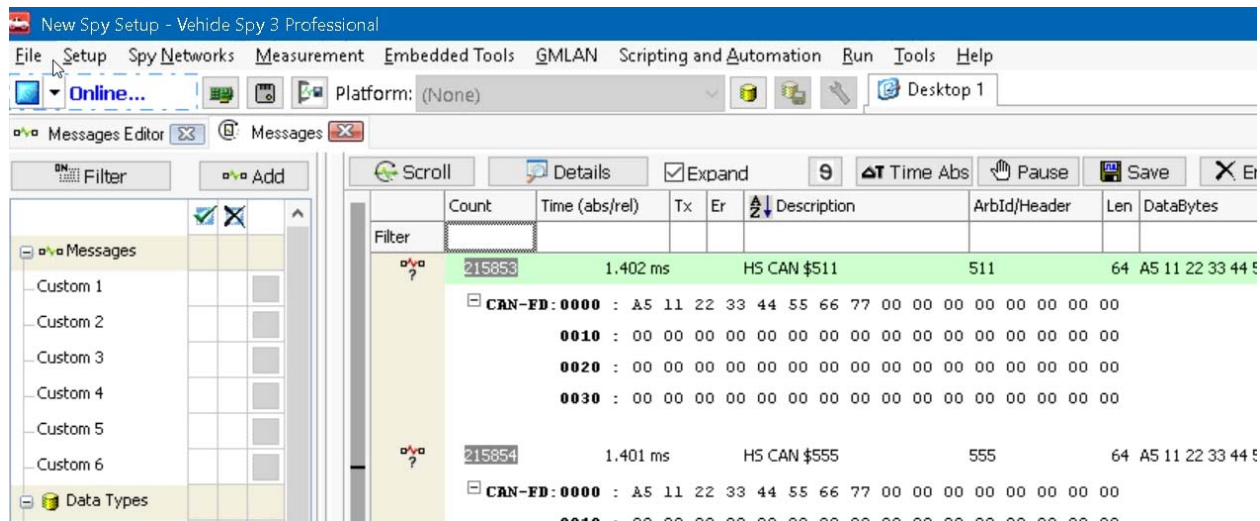


Figure 19. CAN FD frames transmitted and received (partial screenshot showing two messages)

2.10.2.8 Example operation

To run the example with two boards perform the following steps:

1. Connect CAN High, CAN Low and ground between the two boards with a cable as shown
2. Connect 12V power supply to both boards
3. Move power supply selection jumper to use external 12V (away from CAN connector per arrows below)

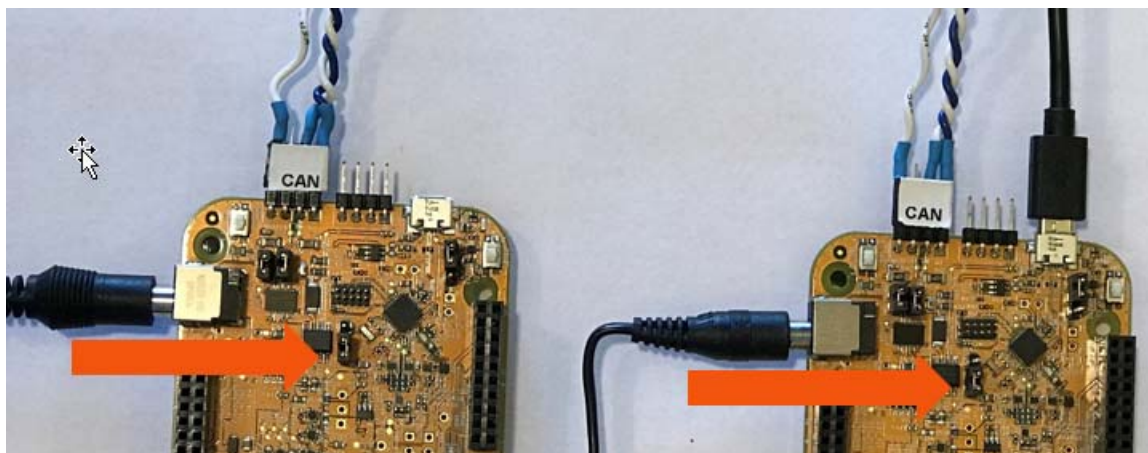


Figure 20. Connections and jumper setting for CAN examples

4. Configure code for Node B by commenting out the line in FlexCAN.h as shown below:

```
///define Node A
```
5. Build the program
6. Flash program to the “Node B” EVB
7. Configure code for Node A by un-commenting out the line in FlexCAN.h as shown below:

```
define Node A
```
8. Build the program
9. Flash program to the “Node A” EVB
10. With both boards powered, start the program on Node A which starts the transmission sequence.

The green LEDs on the boards will toggle flashing every 1000 CAN transmitted and received messages.

2.10.3 Code

2.10.3.1 main.c

```

#include "S32K144.h" /* include peripheral declarations S32K144 */
#include "FlexCAN_FD.h"
#include "clocks_and_modes.h"
void WDOG_disable (void){
    WDOG->CNT=0xD928C520; /* Unlock watchdog */
    WDOG->TOVAL=0x0000FFFF; /* Maximum timeout value */
    WDOG->CS = 0x00002100; /* Disable watchdog */
}
void PORT_init (void) {
    PCC->PCCn[PCC_PORTE_INDEX] |= PCC_PCCn_CGC_MASK; /* Enable clock for PORTE */
    PORTE->PCR[4] |= PORT_PCR_MUX(5); /* Port E4: MUX = ALT5, CAN0_RX */
    PORTE->PCR[5] |= PORT_PCR_MUX(5); /* Port E5: MUX = ALT5, CAN0_TX */
    PCC->PCCn[PCC_PORTD_INDEX] |= PCC_PCCn_CGC_MASK; /* Enable clock for PORTD */
    PORTD->PCR[16] = 0x00000100; /* Port D16: MUX = GPIO (to green LED) */
    PTD->PDDR |= 1<<16; /* Port D16: Data direction = output */
}
int main(void) {
    uint32_t rx_msg_count = 0;
    uint32_t i = 0; /* dummy delay variable */
    WDOG_disable();
    SOSC_init_8MHz(); /* Initialize system oscillator for 8 MHz xtal */
    SPLL_init_160MHz(); /* Initialize SPLL to 160 MHz with 8 MHz SOSC */
    NormalRUNmode_80MHz(); /* Init clocks: 80 MHz sysclk & core, 40 MHz bus, 20 MHz flash */
    FLEXCAN0_init(); /* Init FlexCAN0 */
    PORT_init(); /* Configure ports */
#ifdef NODE_A /* Node A transmits first; Node B transmits after reception */
    FLEXCAN0_transmit_msg(); /* Transmit initial message from Node A to Node B */
#endif
    for (;;) { /* Loop: if a msg is received, transmit a msg */
        if ((CAN0->IFLAG1 >> 4) & 1) { /* If CAN 0 MB 4 flag is set (received msg), read MB4 */
            FLEXCAN0_receive_msg (); /* Read message */
            rx_msg_count++; /* Increment receive msg counter */
            if (rx_msg_count == 1000) { /* If 1000 messages have been received, */
                PTD->PTOR |= 1<<16; /* toggle output port D16 (Green LED) */
                rx_msg_count = 0; /* and reset message counter */
            }
            FLEXCAN0_transmit_msg (); /* Transmit message using MB0 */
        }
    }
}

```

```
}

```

2.10.3.2 FlexCAN_FD.c

```
#include "S32K144.h" /* include peripheral declarations S32K144 */
#include "FlexCAN_FD.h"

uint32_t RxCODE;          /* Received message buffer code */
uint32_t RxID;           /* Received message ID */
uint32_t RxLENGTH;      /* Received message number of data bytes */
uint32_t RxDATA[2];     /* Received message data (2 words) */
uint32_t RxTIMESTAMP;   /* Received message time */

void FLEXCAN0_init(void) {
#define MSG_BUF_SIZE 18 /* Msg Buffer Size. (2 words hdr + 16 words data = 18 words) */
    uint32_t i=0;

    PCC->PCCn[PCC_FLEXCAN0_INDEX] |= PCC_PCCn_CGC_MASK; /* CGC=1: enable clock to FlexCAN0 */
    CAN0->MCR |= CAN_MCR_MDIS_MASK; /* MDIS=1: Disable module before selecting clock */
    CAN0->CTRL1 |= CAN_CTRL1_CLKSRC_MASK; /* CLKSRC=1: Clock Source = BUSCLK (40 MHz) */
    CAN0->MCR &= ~CAN_MCR_MDIS_MASK; /* MDIS=0; Enable module config. (Sets FRZ, HALT)*/
    while (!((CAN0->MCR & CAN_MCR_FRZACK_MASK) >> CAN_MCR_FRZACK_SHIFT)) {}
        /* Good practice: wait for FRZACK=1 on freeze mode entry/exit */
    CAN0->CBT = 0x802FB9EF; /* Configure nominal phase: 500 KHz bit time, 40 MHz Sclock */
        /* Prescaler = CANCLK / Sclock = 80 MHz / 40 MHz = 2 */
        /* EPRESDIV = Prescaler - 1 = 2 - 1 = 1 */
        /* EPSEG2 = 15 */
        /* EPSEG1 = 15 */
        /* EPROPSEG = 46 */
        /* ERJW = 15 */
    /* BITRATEn = Fcanclk / ( [(1 + (EPSEG1+1) + (EPSEG2+1) + (EPROPSEG + 1)) x (EPRESDIV+1)] ) */
    /*           = 80 MHz / ( [(1 + ( 15 +1) + ( 15 +1) + ( 46 + 1)) x ( 1 +1)] ) */
    /*           = 80 MHz / ( [1+16+16+47] x 2) = 80 MHz / (80x2) = 500 Kz */

    CAN0->FDCBT = 0x00131CE3; /* Configure data phase: 2 MHz bit time, 40 MHz Sclock */
        /* Prescaler = CANCLK / Sclock = 80 MHz / 40 MHz = 2 */
        /* FPRESDIV = Prescaler - 1 = = 2 - 1 = 1 */
        /* FPSEG2 = 3 */
        /* FPSEG1 = 7 */
        /* FPROPSEG = 7 */
        /* FRJW = 3 */
    /* BITRATEf = Fcanclk / ( [(1 + (FPSEG1+1) + (FPSEG2+1) + (FPROPSEG)) x (FPRESDIV+!)] ) */
    /*           = 80 MHz / ( [(1 + ( 7 +1) + ( 3 +1) + ( 7 )) x ( 1 +1)] ) */

```

Software examples

```
/*          = 80 MHz / ( [1+8+4+7] x 2) = 80 MHz / (20x2) = 80 MHz / 40 = 2 MHz */
CAN0->FDCTRL = 0x80038500; /* Configure bit rate switch, data size, transcv'r delay */
/* BRS=1: enable Bit Rate Swtich in frame's header */
/* MBDSR1: Not applicable */
/* MBDSR0=3: Region 0 has 64 bytes data in frame's payload */
/* TDCEN=1: enable Transceiver Delay Compensation */
/* TDCOFF=5: 5 CAN clocks (300us) offset used */
for(i=0; i<128; i++ ) { /* CAN0: clear 128 words RAM in FlexCAN 0 */
    CAN0->RAMn[i] = 0; /* Clear msg buf words. All buffers CODE=0 (inactive) */
}
for(i=0; i<16; i++ ) { /* In FRZ mode, init CAN0 16 msg buf filters */
    CAN0->RXIMR[i] = 0xFFFFFFFF; /* Check all ID bits for incoming messages */
}
CAN0->RXMGMASK = 0x1FFFFFFF; /* Global acceptance mask: check all ID bits */
/* Message Buffer 4 - receive setup: */
CAN0->RAMn[ 4*MSG_BUF_SIZE + 0] = 0xC4000000; /* Msg Buf 4, word 0: Enable for reception */
/* EDL=1: Extended Data Length for CAN FD */
/* BRS = 1: Bit Rate Switch enabled */
/* ESI = 0: Error state */
/* CODE=4: MB set to RX inactive */
/* IDE=0: Standard ID */
/* SRR, RTR, TIME STAMP = 0: not applicable */
#ifdef NODE_A /* Node A receives msg with std ID 0x511 */
    CAN0->RAMn[ 4*MSG_BUF_SIZE + 1] = 0x14440000; /* Msg Buf 4, word 1: Standard ID = 0x111 */
#else /* Node B to receive msg with std ID 0x555 */
    CAN0->RAMn[ 4*MSG_BUF_SIZE + 1] = 0x15540000; /* Msg Buf 4, word 1: Standard ID = 0x555 */
#endif
/* PRI0 = 0: CANFD not used */
CAN0->CTRL2 |= CAN_CTRL2_STFCNTEN_MASK; /* Enable CRC fix for ISO CAN FD */
CAN0->MCR = 0x0000081F; /* Negate FlexCAN 1 halt state & enable CAN FD for 32 MBs */
while ((CAN0->MCR && CAN_MCR_FRZACK_MASK) >> CAN_MCR_FRZACK_SHIFT) {}
/* Good practice: wait for FRZACK to clear (not in freeze mode) */
while ((CAN0->MCR && CAN_MCR_NOTRDY_MASK) >> CAN_MCR_NOTRDY_SHIFT) {}
/* Good practice: wait for NOTRDY to clear (module ready) */
}
```

```

void FLEXCAN0_transmit_msg(void) { /* Assumption: Message buffer CODE is INACTIVE */
    CAN0->IFLAG1 = 0x0000001;      /* Clear CAN 0 MB 0 flag without clearing others*/
    CAN0->RAMn[ 0*MSG_BUF_SIZE + 2] = 0xA5112233; /* MB0 word 2: data word 0 */
    CAN0->RAMn[ 0*MSG_BUF_SIZE + 3] = 0x44556677; /* MB0 word 3: data word 1 */
#ifdef NODE_A
    CAN0->RAMn[ 0*MSG_BUF_SIZE + 1] = 0x15540000; /* MB0 word 1: Tx msg with STD ID 0x555 */
#else
    CAN0->RAMn[ 0*MSG_BUF_SIZE + 1] = 0x14440000; /* MB0 word 1: Tx msg with STD ID 0x511 */
#endif
    CAN0->RAMn[ 0*MSG_BUF_SIZE + 0] = 0xCC4F0000 | 8 <<CAN_WMBn_CS_DLC_SHIFT; /* MB0 word 0: */
                                                    /* EDL=1 CAN FD format frame*/
                                                    /* BRS=1: Bit rate is switched inside msg */
                                                    /* ESI=0: ??? */
                                                    /* CODE=0xC: Activate msg buf to transmit */
                                                    /* IDE=0: Standard ID */
                                                    /* SRR=1 Tx frame (not req'd for std ID) */
                                                    /* RTR = 0: data, not remote tx request frame*/
                                                    /* DLC=15; 64 bytes */
}

void FLEXCAN0_receive_msg(void) { /* Receive msg from ID 0x556 using msg buffer 4 */
    uint8_t j;
    uint32_t dummy;

    RxCODE    = (CAN0->RAMn[ 4*MSG_BUF_SIZE + 0] & 0x07000000) >> 24; /* Read CODE field */
    RxID      = (CAN0->RAMn[ 4*MSG_BUF_SIZE + 1] & CAN_WMBn_ID_ID_MASK) >>CAN_WMBn_ID_ID_SHIFT ;
    RxLENGTH  =(CAN0->RAMn[ 4*MSG_BUF_SIZE + 0] & CAN_WMBn_CS_DLC_MASK)>>CAN_WMBn_CS_DLC_SHIFT;
    for (j=0; j<2; j++) { /* Read two words of data (8 bytes) */
        RxDATA[j] = CAN0->RAMn[ 4*MSG_BUF_SIZE + 2 + j];
    }
    RxTIMESTAMP = (CAN0->RAMn[ 0*MSG_BUF_SIZE + 0] & 0x000FFFF);
    dummy = CAN0->TIMER; /* Read TIMER to unlock message buffers */
    CAN0->IFLAG1 = 0x00000010; /* Clear CAN 0 MB 4 flag without clearing others*/
}

```

2.10.3.3 FlexCAN_FD.h (Partial listing)

```

#define NODE_A /* If using 2 boards as 2 nodes, NODE A & B use different CAN IDs */

```

2.10.3.4 clocks_and_modes.c

See code in [clocks_and_modes.c](#) of the Hello World + Clock example.

2.10.3.5 Reference: MC33903 code for obsolete EVB (not included in project)

LPSP11 initialization, transmit and receiver functions: See code for functions in SPI example.

Port pin and MC33803 initialization: See code for functions in CAN 2.0 example.

CAN initialization for 1 MHz data phase (MC33903 limit):

```

/* Use 1 MHz data phase bit rate for MC33903:*/
CAN0->FDCBT = 0x00135CE7; /* Configure data phase: 1 MHz bit time, 40 MHz Sclock */
/* Prescaler = CANCLK / Sclock = 80 MHz / 40 MHz = 2 */
/* FPRESDIV = Prescaler - 1 = 2 - 1 = 1 */
/* FPSEG2 = 7 */
/* FPSEG1 = 7 */
/* FPROPSEG = 23 */
/* FRJW = 3 */

/* BITRATEf = Fcanclk / ( [(1 + (FPSEG1+1) + (FPSEG2+1) + (FPROPSEG))] x (FPRESDIV+!)) */
/*          = 80 MHz / ( [(1 + ( 7 +1) + ( 7 +1) + ( 23 ))] x ( 1 +1)) */
/*          = 80 MHz / ( [1+8+8+23] x 2) = 80 MHz / (40x2) = 80 MHz / 80 = 1 MHz */
CAN0->FDCTRL = 0x8003F300; /* Configure bit rate switch, data size, transcv'r delay */
/* BRS=1: enable Bit Rate Swtich in frame's header */
/* MBDSR1: Not applicable */
/* MBDSR0=3: Region 0 has 64 bytes data in frame's payload */
/* TDCEN=1: enable Transceiver Delay Compensation */
/* TDCOFF=15: 15 CAN clocks (375us) offset used */

```

2.11 Additional examples and documentation

For more examples please refer to the associated file in nxp.com, there are two folders in the file: “doc” and “Examples”. Inside the examples folder are the source codes for every cookbook project for every S32K14x EVB including the examples already mentioned in this AN and examples for some of the peripherals that weren’t covered in this AN.

The “doc” folder has the necessary documentation for all the examples that are inside in the Examples folder. Double click the shortcut called “start_here” to read the documentation.

3 Startup code

3.1 S32 Design Studio, S32K14x flash target

Compiler normally have wizards or sample startup code which include initializations such as listed below. In general, this code should be considered as a starting point. Users should review the initializations to see if any are missing or if changes are desired.

Table 14. Start up code summary for S32 Design Studio v1.2, S32K144, flash target.

Step	startup_S32K144.s	system_S32K144.h	system_S32K144.c	startup.c
1	__isr_vector table, per link file starts at 0x0, defines: - 0x0 __StackTop address, - 0x4 Reset_Handler address, - other exception addresses, - interrupt vector addresses			
2	Reset_Handler: - Masks interrupts - Initializes regs, SP, - SystemInit			
3		DISABLE_WDOG = 1	SystemInit: - disable watchdog	
4	init_data_bss			
5				init_data_bss: - Init vector table - Init data pointers, .data etc. - Copy init data ROM to RAM - Init .bss
6	Branch to main			

Other common startup functions include:

- Cache
 - S32K144 has a 4 KB instruction cache, 2-way set associative, four word lines
 - Software can configure the MPU to define cachable and non cachable areas of flash.
 - Software must invalidate and enable cache. Example¹:
- Flash Controller
 - Prefetch buffers perform speculative reads to increase performance for sequential accesses
 - Software must enable prefetch buffers. Example²:

```
LMEM->PCCCR = 0x85000001; /* Invalidate cache & enable write buffer, cache */
```

```
MSCM->OCMDR0 = 0x00000020; /* Bit 5 = 1: Enable program flash prefetch buffer */
MSCM->OCMDR1 = 0x00000020; /* Bit 5 = 1: Enable data flash prefetch buffer */
```

1.S32K1xx Series Reference Manual, Rev 11, 06,2019, section 33.4.4.1 Cache set commands.

2.S32K1xx Series Reference Manual, Rev 11, 06,2019, section 35.5.2 Speculative reads.

4 Header files cheat sheet

Table 15. Header files cheat sheet

Action	Family	Syntax	Examples
Initialize Register	S12	MODULEREG = value;	CPMUPOSTDIV = 0;
	MPC5xxx	MODULE.REG.R = value;	SIUL.PCR[40].R = 0x1234;
	KEA	MODULE_REG = value;	FTM2_C0SC = 0x68;
	S32K	MODULE->REG = value;	PORTD->PCR[10] = 0x0000200;
Initialize Bit Field	S12	MODULEREG_FIELD = value;	CPMUPLL_FM = 2;
	MPC5xxx	MODULE.REG.B.FIELD = value;	SIUL.PCR[4].B.PA = 3;
	KEA	MODULE n _REG &= ~MOD_REG_FIELD_MASK; and MODULE n _REG = MOD_REG_FIELD(value);	ADC_SC1 &= ~ADC_SC1_ADCH_MASK; // clear field ADC_SC1 = ADC_SC1_ADCH(6); // initialize field
	S32K	MODULE n ->REG &= MODULE_REG_FIELD_MASK; MODULE n ->REG = MODULE_REG_FIELD(value);	PORTE->PCR[4] &= ~PORT_PCR_MUX_MASK; PORTE->PCR[4] = PORT_PCR_MUX(0b010);
Set Bit	S12	MODULEREG_FIELD = 1;	CPMURTI_RTDEC = 1;
	MPC5xxx	MODULE[n].REG.B.FIELD = 1;	SIUL.PCR[40].B.OBE = 1;
	KEA	MODULE n _REG = MODULE_REG_FIELD_MASK; or MODULE n _REG = 1<<CONSTANT;	SIM_SCGC = SIM_SCGC_FM2_MASK; #define PTC0 9; GPIOA_PDDR = 1<<PTC0;
	S32K	MODULE n ->REG = MODULE_REG_FIELD_MASK; or MODULE n ->REG = 1<<CONSTANT;	LPIT0->MCR = LPIT_MCR_CEN_MASK; PTD->PDDR = 1<<10;
Clear Bit	S12	MODULEREG_FIELD = 0;	CPMURTI_RTDEC = 0;
	MPC5xxx	MODULE.REG.B.FIELD = 0;	SIUL.PCR[40].B.OBE = 0;
	KEA	MODULE n _REG &= ~MODULE_REG_FIELD_MASK; or MODULE n _REG &= ~(1<<CONSTANT);	I2C_C1 &= ~I2C_C1_TX_MASK; GPIOA_PDDR &= ~(1<<12);
	S32K	MODULE n ->REG &= ~MODULE_REG_FIELD_MASK; or MODULE n ->REG &= ~(1<<CONSTANT);	PTC->PDDR &= ~(1<<12);
Read Bit	S12	x = MODULEREG_FIELD;	x = CPMURTI_RTDEC;
	MPC5xxx	x = MODULE.REG.B.FIELD;	x = SIUL.PCR[5].B.OBE;
	KEA	x = (MODULE n _REG >> CONSTANT) & 1;	x = (GPIOA_PIDR >> PTD0) & 1;
	S32K	x = (MODULE n ->REG >> CONSTANT) & 1;	x = (LPSP1->SR & LPSP1_SR_TDF_MASK) >> LPSP1_SR_TDF_SHIFT
Read Bit Field	S12	x = MODULEREG_FIELD;	x = CPMUSYNR_SYNDIV;
	MPC5xxx	x = MODULE.REG.B.FIELD;	x = SIUL.PCR[5].B.PA;
	KEA	x = (MODULE n _REG & MODULE_REG_FIELD_MASK) >> MODULE_REG_FIELD_SHIFT;	x = (I2C_A1 & I2C_A1_AD_MASK) >> I2C_A1_AD_MASK;
	S32K	x = (MODULE n ->REG & MODULE_REG_FIELD_MASK) >> MODULE_REG_FIELD_SHIFT;	x = (LPSP1->SR & LPSP1_SR_TDF_MASK) >> LPSP1_SR_TDF_SHIFT

5 Adding projects

The example projects are implemented with S32 Design Studio for ARM version 1.1. A simple way to create your own project is to start with an existing one. Example steps are listed in the following table.

Table 16. Example steps to create a new S32 Design Studio project

	Step	Description
1	Start application	<ul style="list-style-type: none"> Start S32 Design Studio with desired workspace
2	Add blank project	<ul style="list-style-type: none"> File - New - New S32DS Project Enter project name. Example: FTM Select processor. Example: S32K144 Click Next Review cores and parameters and change if desired Click Finish
3	Add a new empty source file to project	<ul style="list-style-type: none"> Right click on "src" folder Select New - File If needed, change parent folder Enter File name. Example: FTM.c Click Finish <p><u>Note:</u> if the file name already exists in the folder, an error message is displayed but the file still is added to the project.</p>
4.	Copy an existing source file from a different project in the workspace	<ul style="list-style-type: none"> Select file(s) from src folder of other project in workspace With the selected files highlighted: right click - Copy Select new project src folder Right click - Paste
5	Make any file name adjustments	<ul style="list-style-type: none"> Right click, and rename Change #include if needed
6	Build project, edit as needed and rebuild	<ul style="list-style-type: none"> Build by clicking on the hammer icon (any files added or deleted in the project's src folder will be included/deleted in the build.and then appear in an updated list in the src folder)
7	Tip: Close unrelated projects	<ul style="list-style-type: none"> In the Project Explorer window, right click on the project name Select "Close unrelated projects" <p>(Can speed up debug, etc.)</p>

6 6S32K1xx Series Cookbook Repository

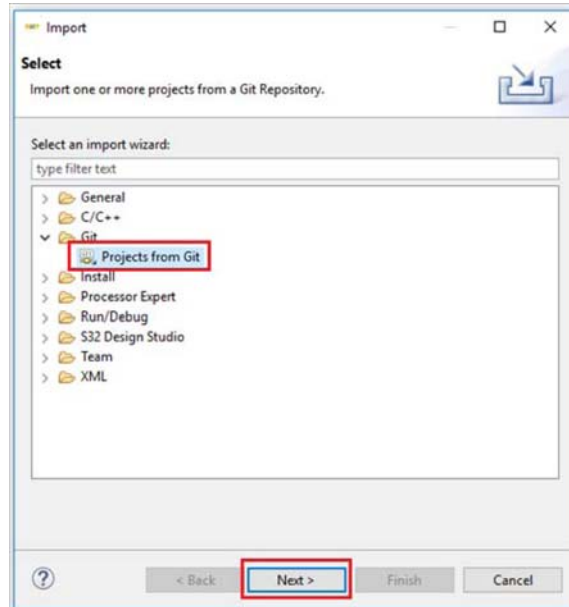
In addition to the projects mentioned in this application note, there is an available repository where you can find more initialization examples for S32K1xx peripherals. See the following steps to import those projects into your S32DS workspace.

6.1 Import projects from S32K1xx Series Cookbook Repository

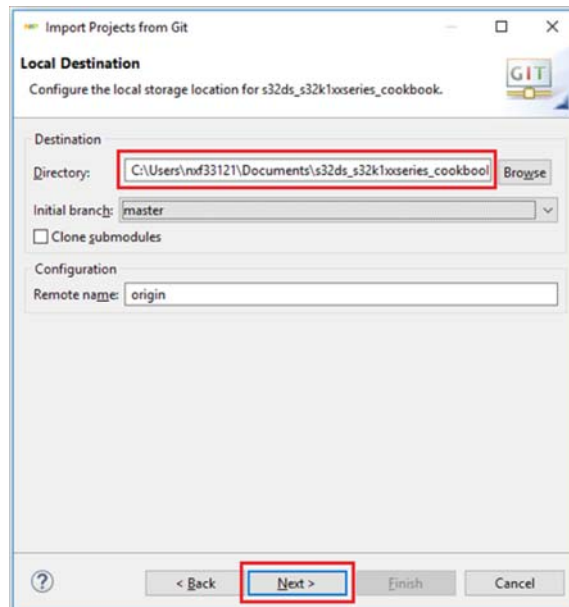
- Prerequisites: Install and configure gits
 - <https://git-scm.com/book/en/v2/Getting-Started-Installing-Git>
 - <https://git-scm.com/book/en/v2/Getting-Started-First-Time-Git-Setup>
- Start S32DS for ARM with desired workspace
- Clone repository and import for the first time

6 S32K1xx Series Cookbook Repository

- Go to: File ? Import...
- Select: Git ? Projects from Git, and click Next.



- Select: Clone URL, and click Next.
- In URL field, paste: https://source.codeaurora.org/external/s32support/S32K1xx_cookbook/ and click Next.
- Check master branch, and click Next.
- In Destination Directory, enter the local path where you want to clone the repository and click Next.



- Select: Working Tree - directory, and click Next.

- Check the projects you want to import, , and click Finish.
- 4. Import projects from existing repository
 - Go to: File Import...
 - Select: Git Projects from Git, and click Next.
 - Select: Existing local repository, and click Next.
 - Select: s32ds_s32k1xxseries_cookbook, and click Next.
 - Select: Working Tree directory, and click Next.
 - Check the projects you want to import, and click Finish.
- 5. Build and debug
- 6. S32K1xx Series Cookbook Documentation
 - Go to the local directory where you just cloned the repository.
 - Open "doc" folder
 - Double click on "start_here".

7 Revision history

Table 17.

Rev. No.	Date	Substantive Change(s)
0	03/2017	Initial release
1	07/2017	<ul style="list-style-type: none"> • Code clarifications/improvements made to Hello+Interrupts, ADC, UART, SPI, • CAN 2.0 and CAN FD examples. See text at start of source code files for details. • Code for obsolete S32K144 EVB board with MC33903 CAN PHY removed from • Section 2.8, Section 2.9 and Section 2.10 projects and put in application note text. • Added Example Operation to Section 2.9 and Section 2.10 examples • Other minor modifications • Editorial updates
2	08/2018	<ul style="list-style-type: none"> • Added Section 2.11
3	01/2019	<ul style="list-style-type: none"> • Added Section 6
4	09/2019	<ul style="list-style-type: none"> • Updated footnotes in Section 3.1.

How to Reach Us:

Home Page:
nxp.com

Web Support:
nxp.com/support

Information in this document is provided solely to enable system and software implementers to use NXP products. There are no express or implied copyright licenses granted hereunder to design or fabricate any integrated circuits based on the information in this document. NXP reserves the right to make changes without further notice to any products herein.

NXP makes no warranty, representation, or guarantee regarding the suitability of its products for any particular purpose, nor does NXP assume any liability arising out of the application or use of any product or circuit, and specifically disclaims any and all liability, including without limitation consequential or incidental damages. "Typical" parameters that may be provided in NXP data sheets and/or specifications can and do vary in different applications, and actual performance may vary over time. All operating parameters, including "typicals," must be validated for each customer application by customers technical experts. NXP does not convey any license under its patent rights nor the rights of others. NXP sells products pursuant to standard terms and conditions of sale, which can be found at the following address: nxp.com/SalesTermsandConditions.

While NXP has implemented advanced security features, all products may be subject to unidentified vulnerabilities. Customers are responsible for the design and operation of their applications and products to reduce the effect of these vulnerabilities on customer's applications and products, and NXP accepts no liability for any vulnerability that is discovered. Customers should implement appropriate design and operating safeguards to minimize the risks associated with their applications and products.

NXP, the NXP logo, NXP SECURE CONNECTIONS FOR A SMARTER WORLD, COOLFLUX, EMBRACE, GREENCHIP, HITAG, I2C BUS, ICODE, JCOP, LIFE VIBES, MIFARE, MIFARE CLASSIC, MIFARE DESFire, MIFARE PLUS, MIFARE FLEX, MANTIS, MIFARE ULTRALIGHT, MIFARE4MOBILE, MIGLO, NTAG, ROADLINK, SMARTLX, SMARTMX, STARPLUG, TOPFET, TRENCHMOS, UCODE, Freescale, the Freescale logo, Altivec, C-5, CodeTest, CodeWarrior, ColdFire, ColdFire+, C-Ware, the Energy Efficient Solutions logo, Kinetis, Layerscape, MagniV, mobileGT, PEG, PowerQUICC, Processor Expert, QorIQ, QorIQ Qonverge, Ready Play, SafeAssure, the SafeAssure logo, StarCore, Symphony, VortiQa, Vybrid, Airfast, BeeKit, BeeStack, CoreNet, Flexis, MXC, Platform in a Package, QUICC Engine, SMARTMOS, Tower, TurboLink, and UMEMS are trademarks of NXP B.V. All other product or service names are the property of their respective owners. Arm, AMBA, Arm Powered, Artisan, Cortex, Jazelle, Keil, SecurCore, Thumb, TrustZone, and iVision are registered trademarks of Arm Limited (or its subsidiaries) in the EU and/or elsewhere. Arm7, Arm9, Arm11, big.LITTLE, CoreLink, CoreSight, DesignStart, Mali, Mbed, NEON, POP, Sensinode, Socrates, ULINK and Versatile are trademarks of Arm Limited (or its subsidiaries) in the EU and/or elsewhere. All rights reserved. Oracle and Java are registered trademarks of Oracle and/or its affiliates. The Power Architecture and Power.org word marks and the Power and Power.org logos and related marks are trademarks and service marks licensed by Power.org.

© 2019 NXP B.V.

Document Number: AN5413
Rev. 4
09/2019

