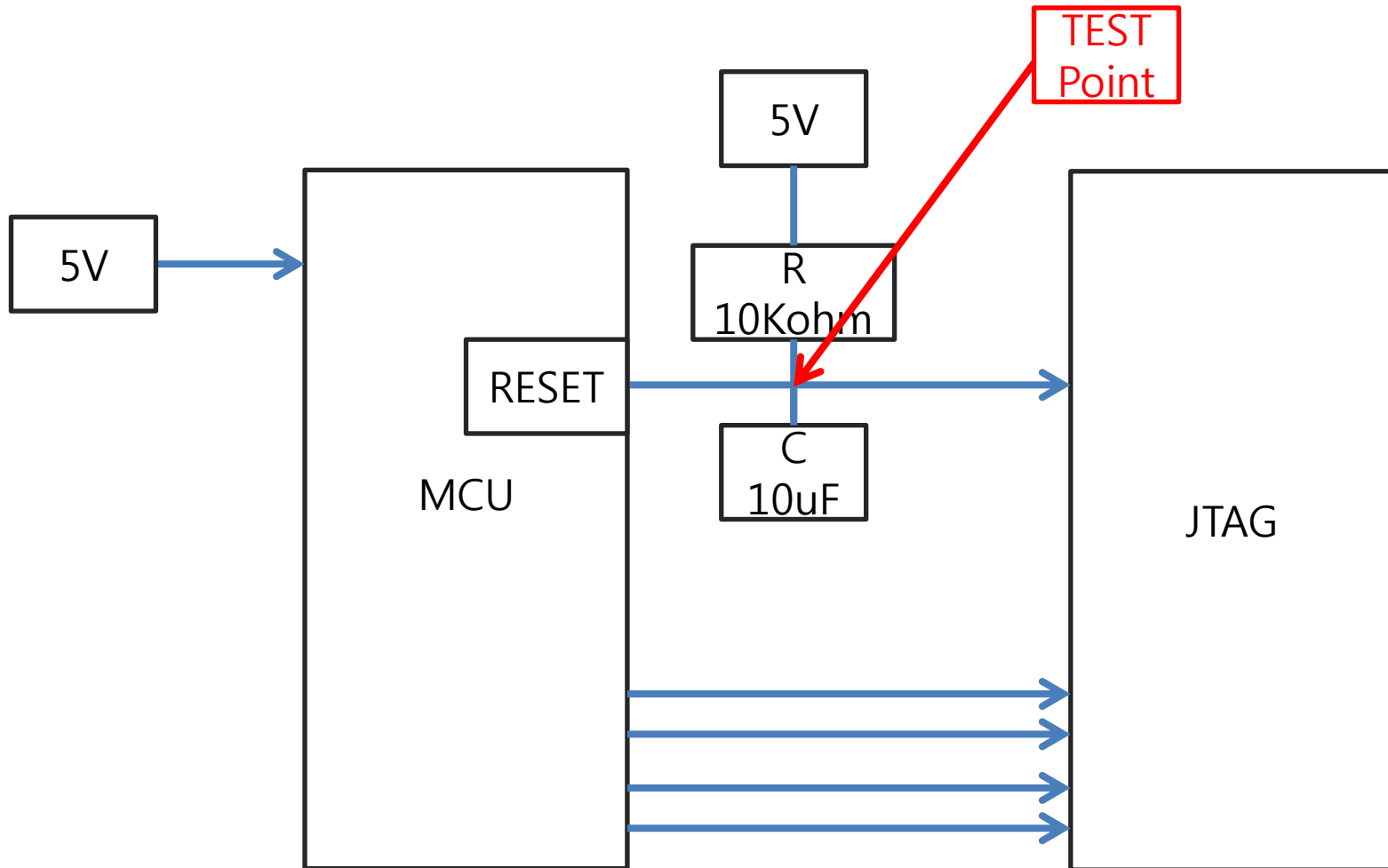
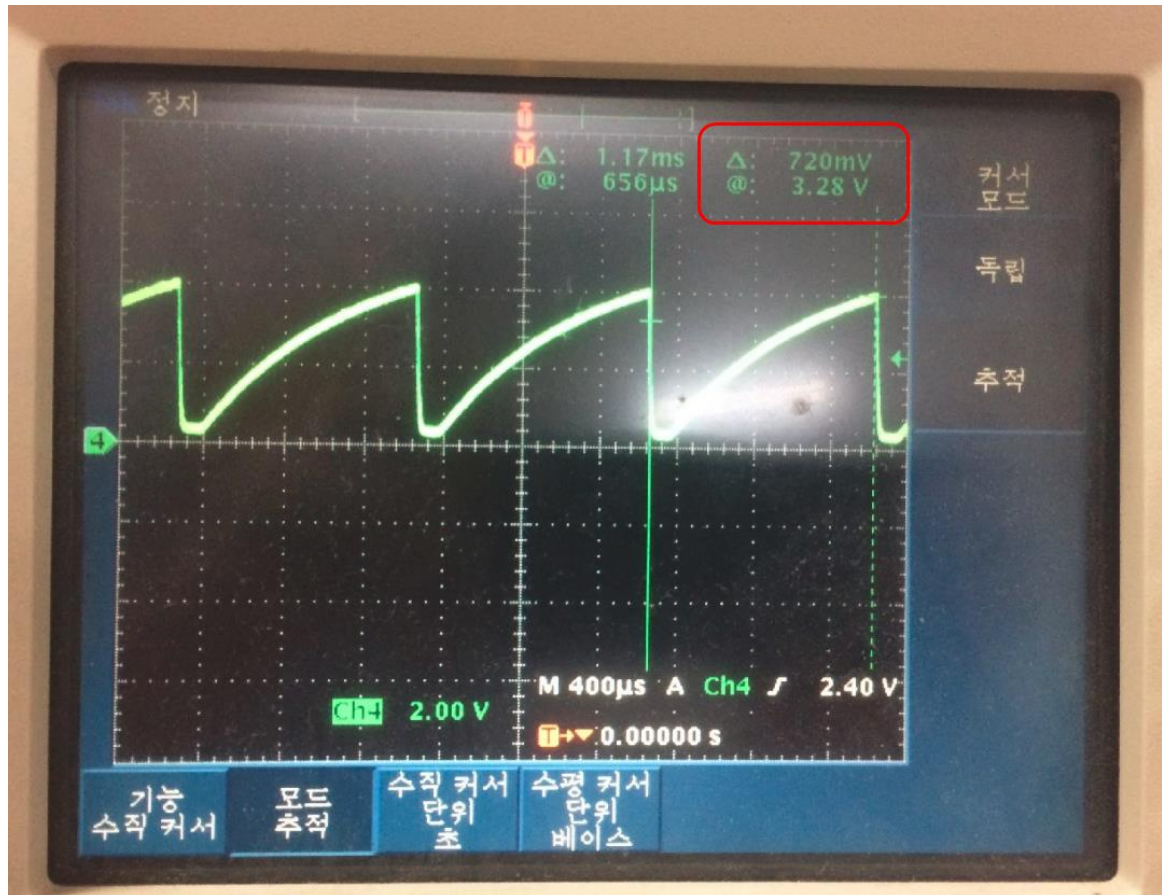


RESET issue



Insert R and C



Remove R and C

