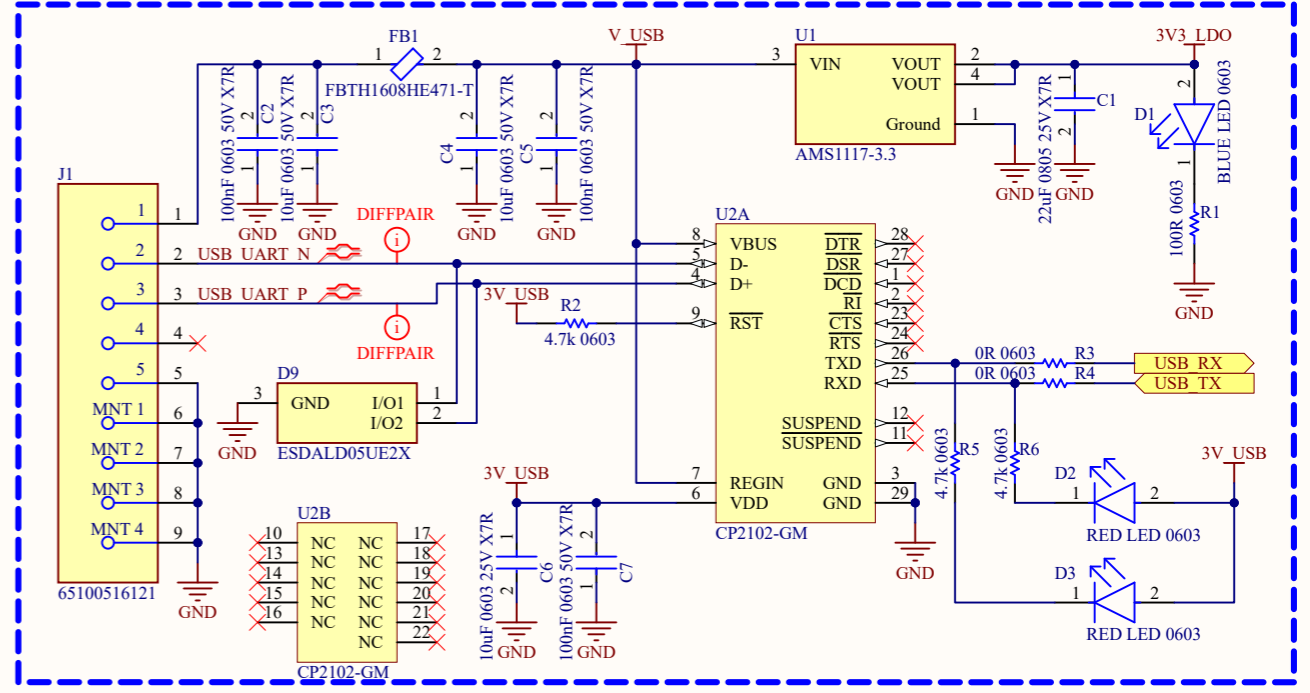
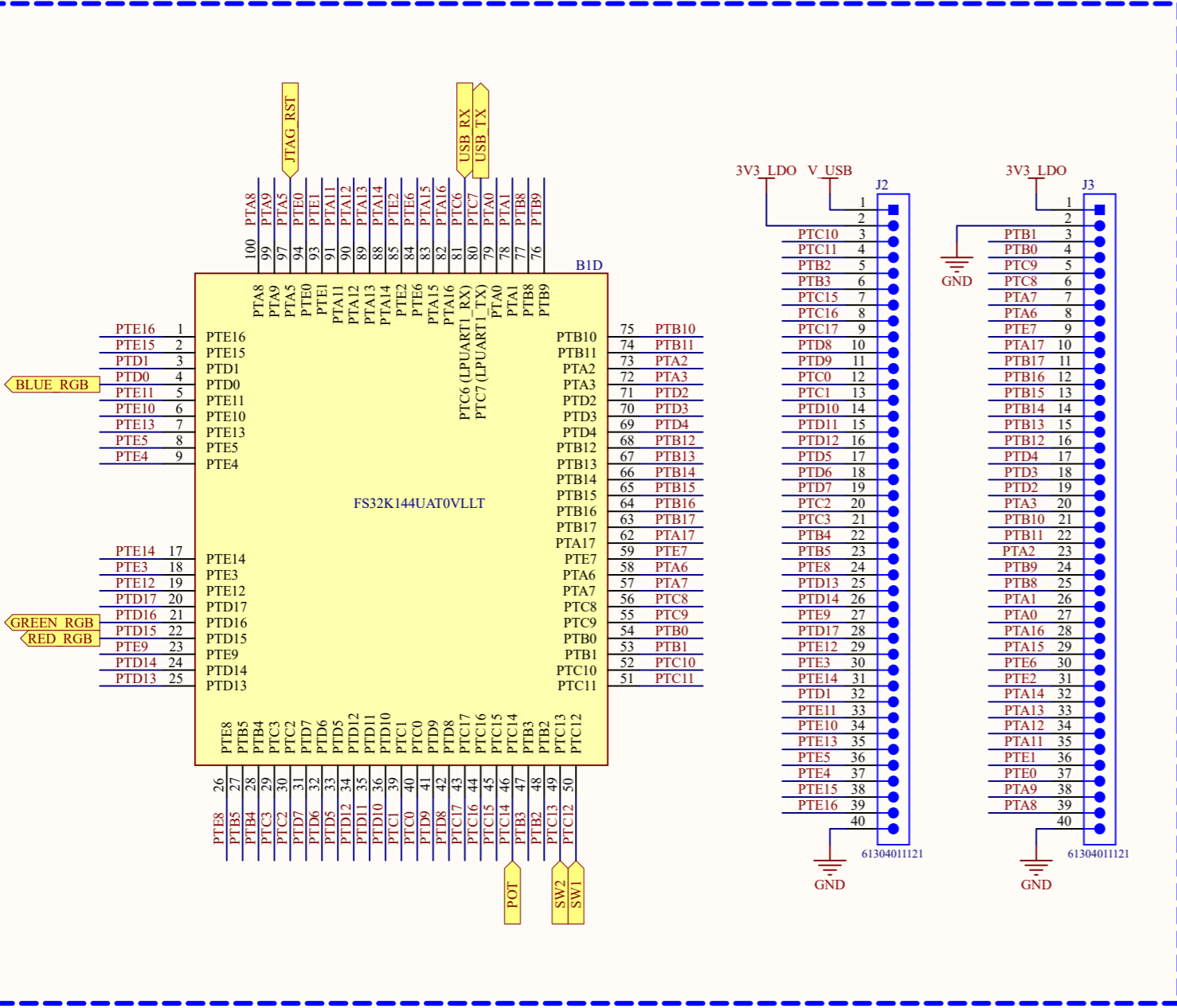
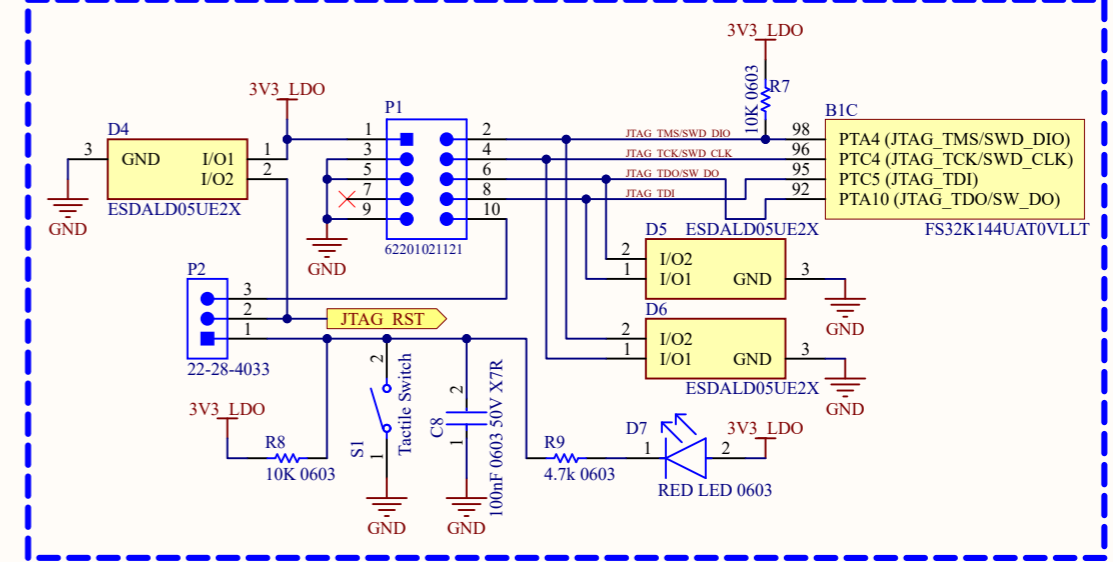


S32K144 MICROCONTROLLER IO

USB TO UART CONVERTER AND LDO



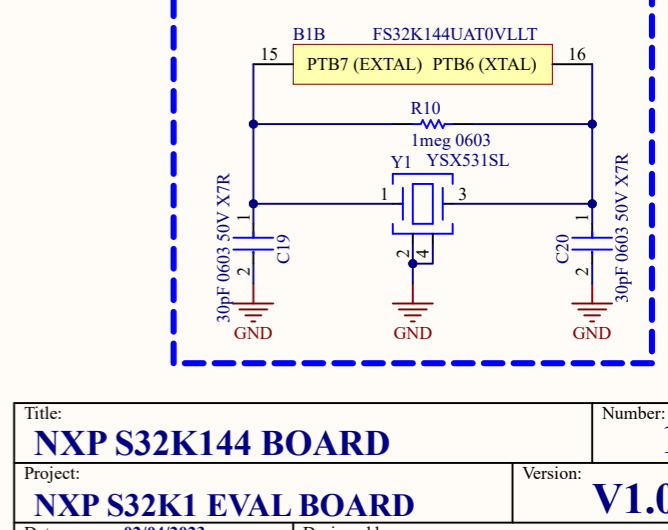
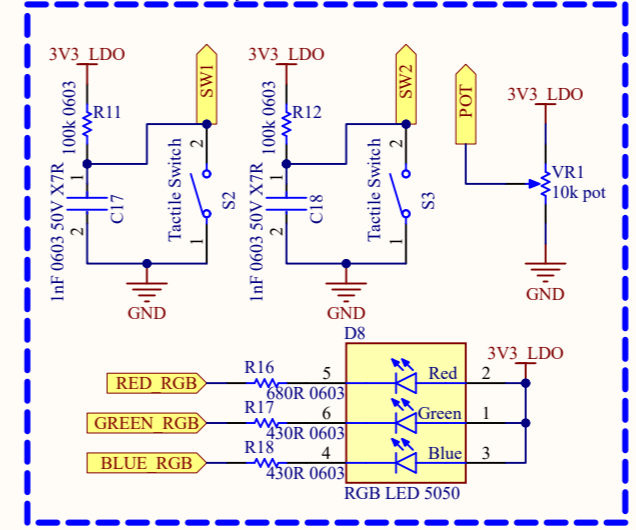
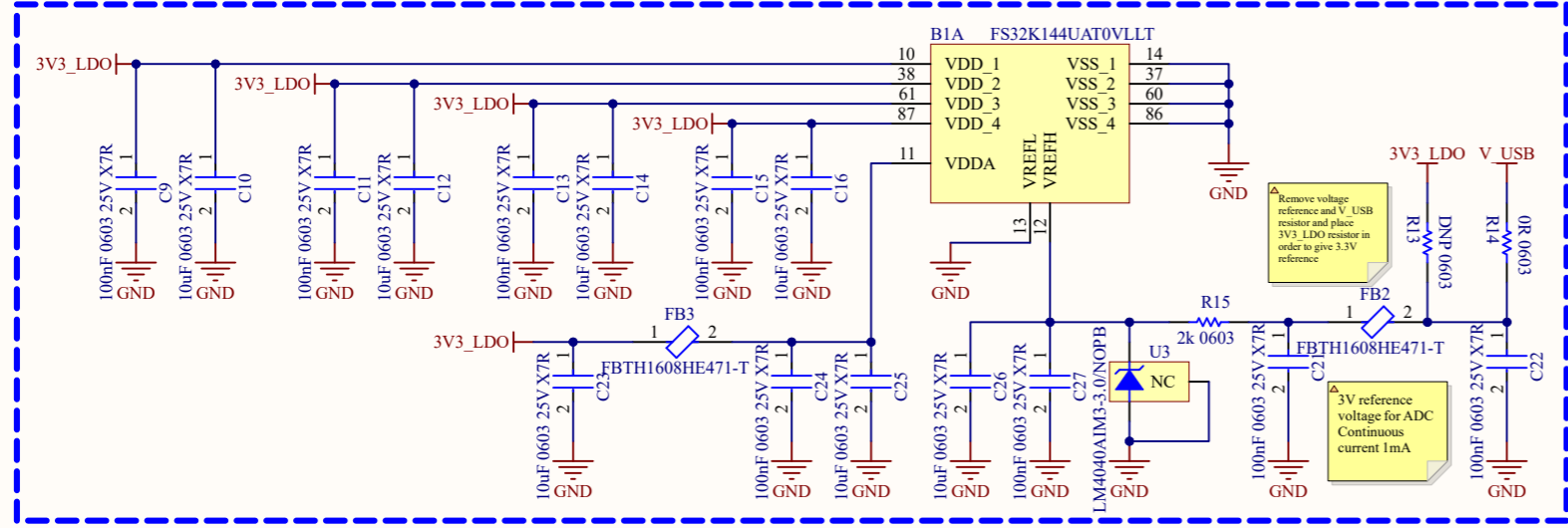
OPEN SDA INTERFACE



S32K144 POWER SECTION

SWITCHES, POT & RGB LED

8MHz XTAL



Title:	NXP S32K144 BOARD	Number:	1
Project:	NXP S32K1 EVAL BOARD	Version:	V1.0
Date:	02/04/2023	Designed by:	PRANAY SHARMA
Size:	A3		