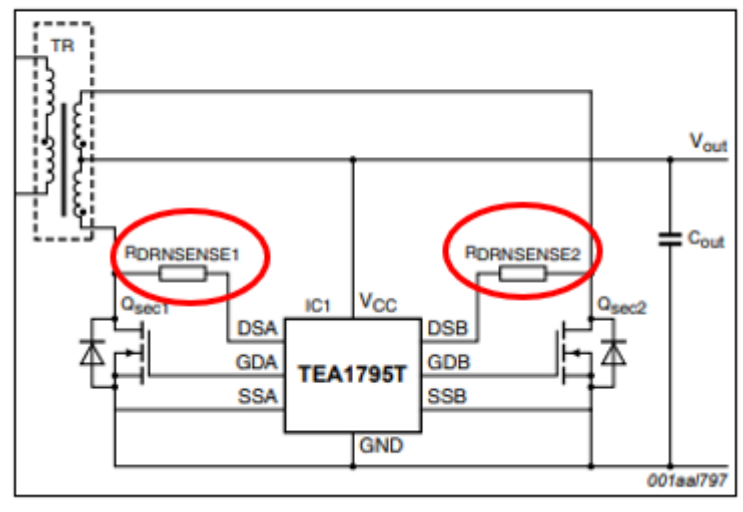
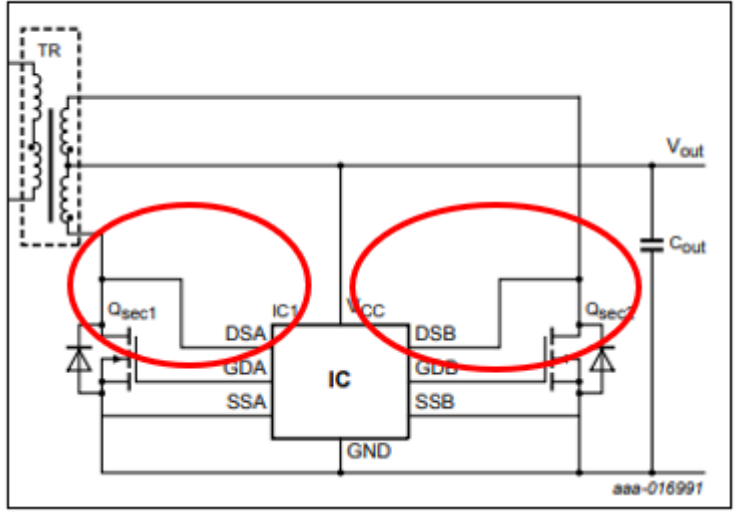
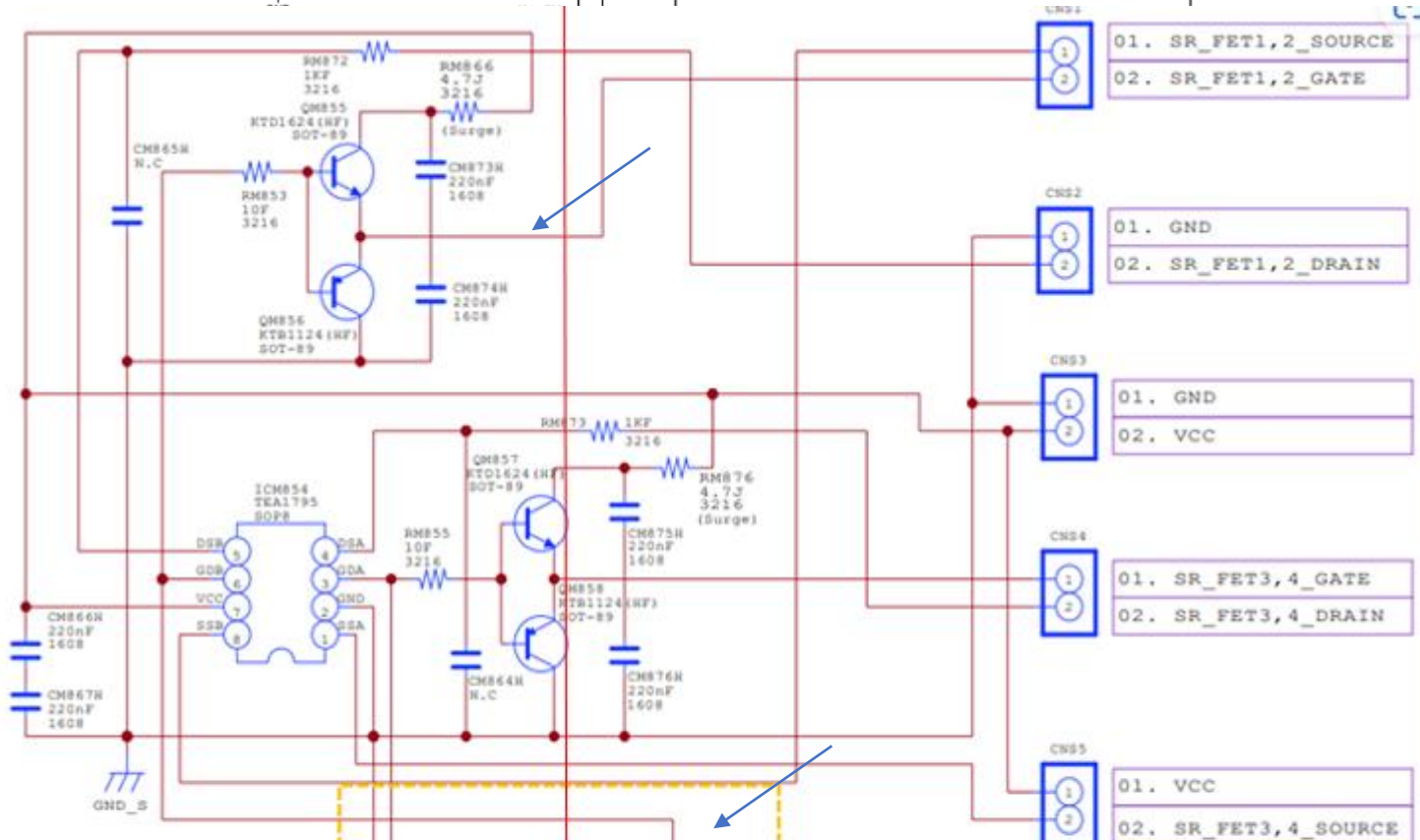
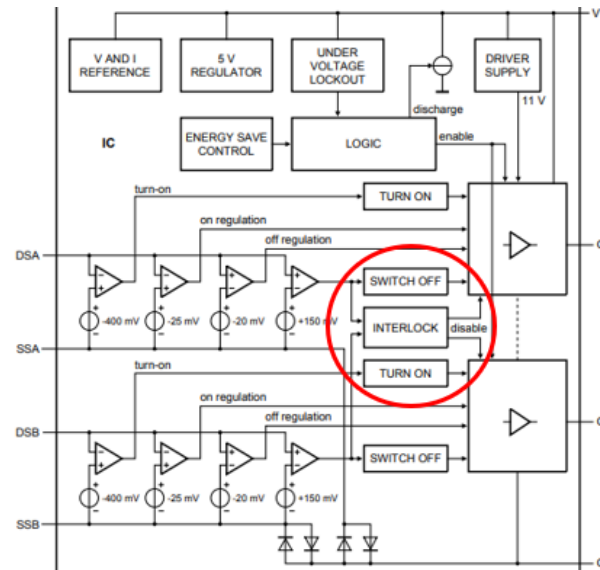
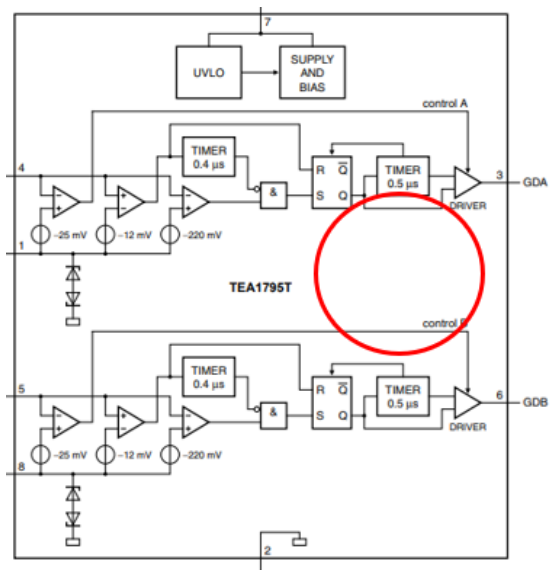


TEA1795T



TEA2095T





01. SR_FET1,2_SOURCE
02. SR_FET1,2_GATE

01. GND
02. SR_FET1,2_DRAIN

01. GND
02. VCC

01. SR_FET3,4_GATE
02. SR_FET3,4_DRAIN

01. VCC
02. SR_FET3,4_SOURCE