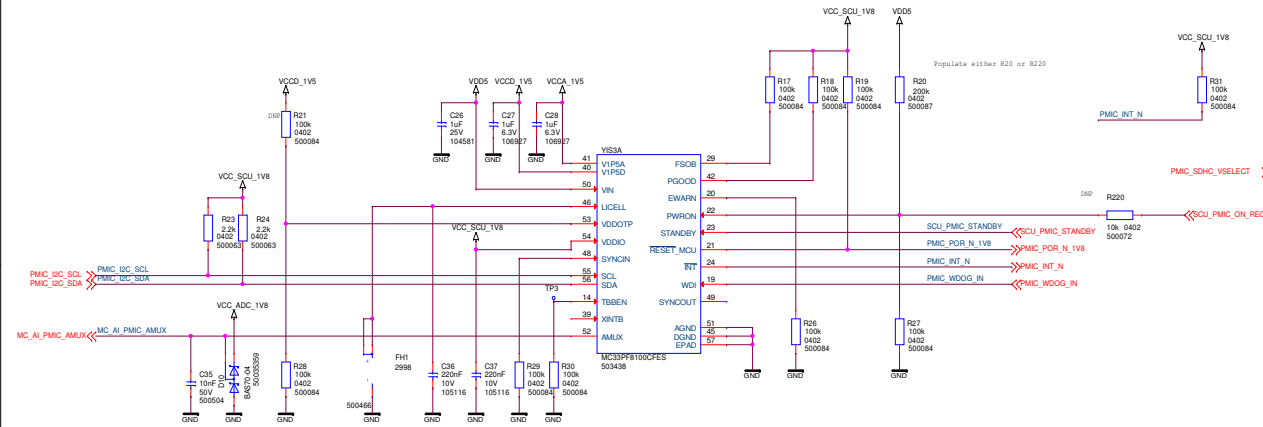
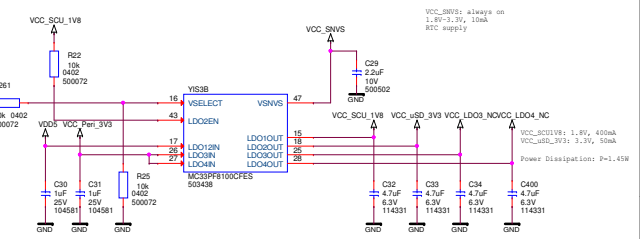


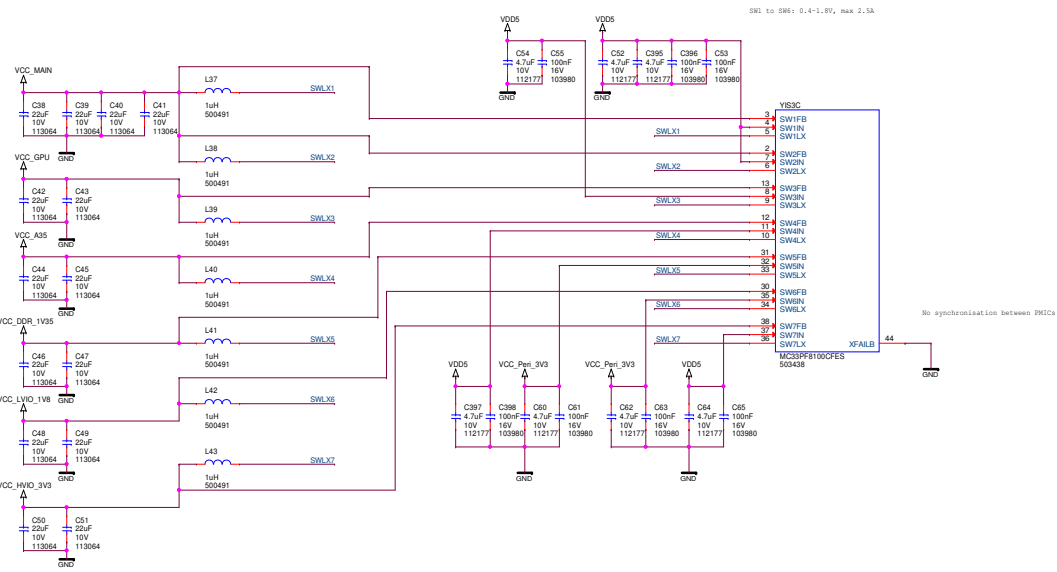
PMIC SCU Interface



PMIC LDOs



PMIC Buck Converters



3 Simplified application diagram

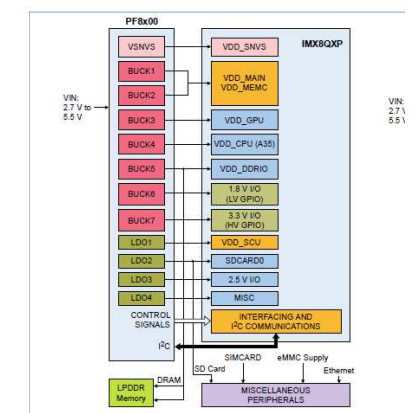


Figure 1. Simplified application diagram

Source: PFB100 Datasheet (IXP Semiconductors 2021b)

Designed by:	T. Wille	Date:	25.03.2022	Checked by:	F. Seeburger	Approved by Date:	29.03.2022
 MRS MRS Electronic GmbH & Co. KG Klaus-Gutsch-Str. 7 78639 Rothwald Germany	Project Name:	Telematics	Version:	<Variant Name>			
	Project Number:	FDI22002	Major Revision:	A			
	Size:	A2	Wednesday, June 15, 2022	Sheet:	3 of 19		