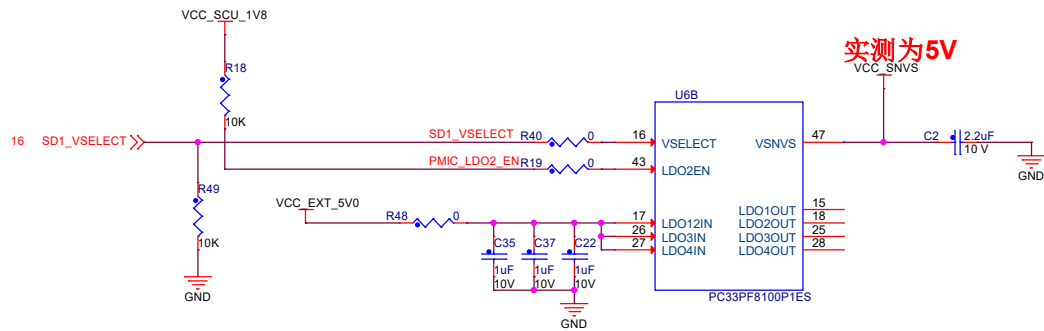
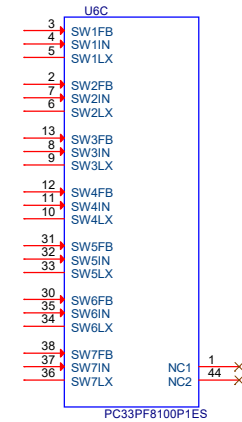
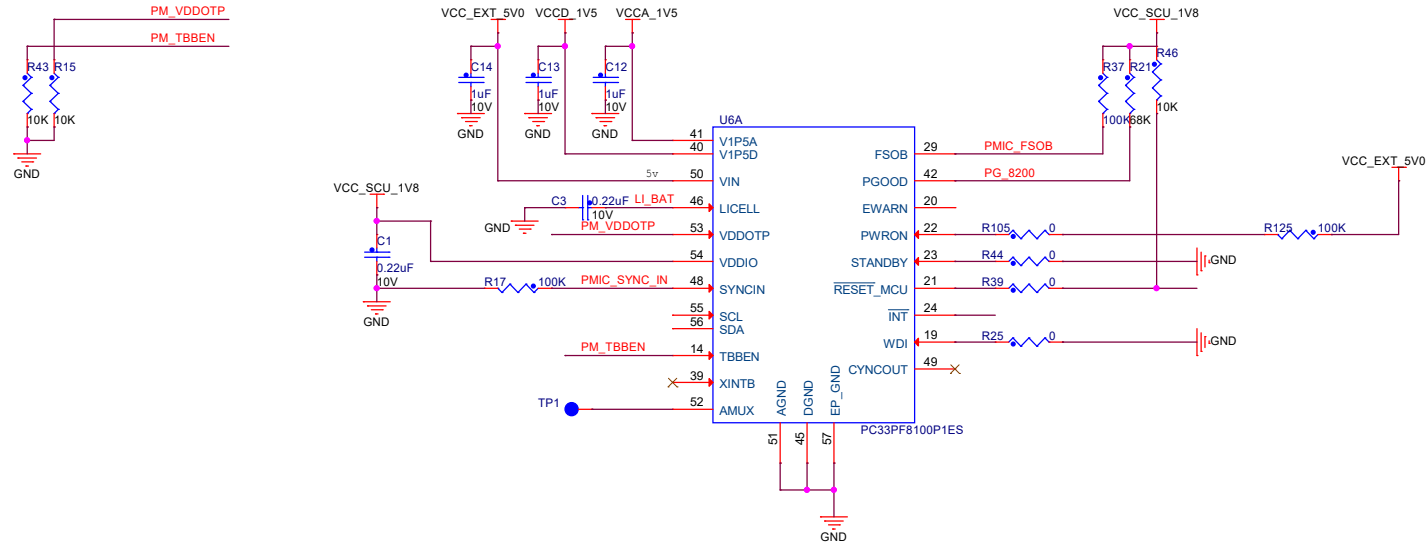


PMIC POWER SUPPLY



ICAP Classification: CP: <FCP> IUO: X PUBI:			
Drawing Title: i.MX 8QXP CPU CARD			
Page Title: POWER SUPPLY			
Size A3	Document Number	SOURCE: SCH-29683-B PDF:SPF-29683-B	Rev B1
Date: Friday, November 30, 2018	Sheet 8	of 27	