


Table of Contents

2	Notes and Block Diagram
3	S32K144 MCU
4	OpenSDA interface
5	Power Supply/SWD
6	I/O Headers

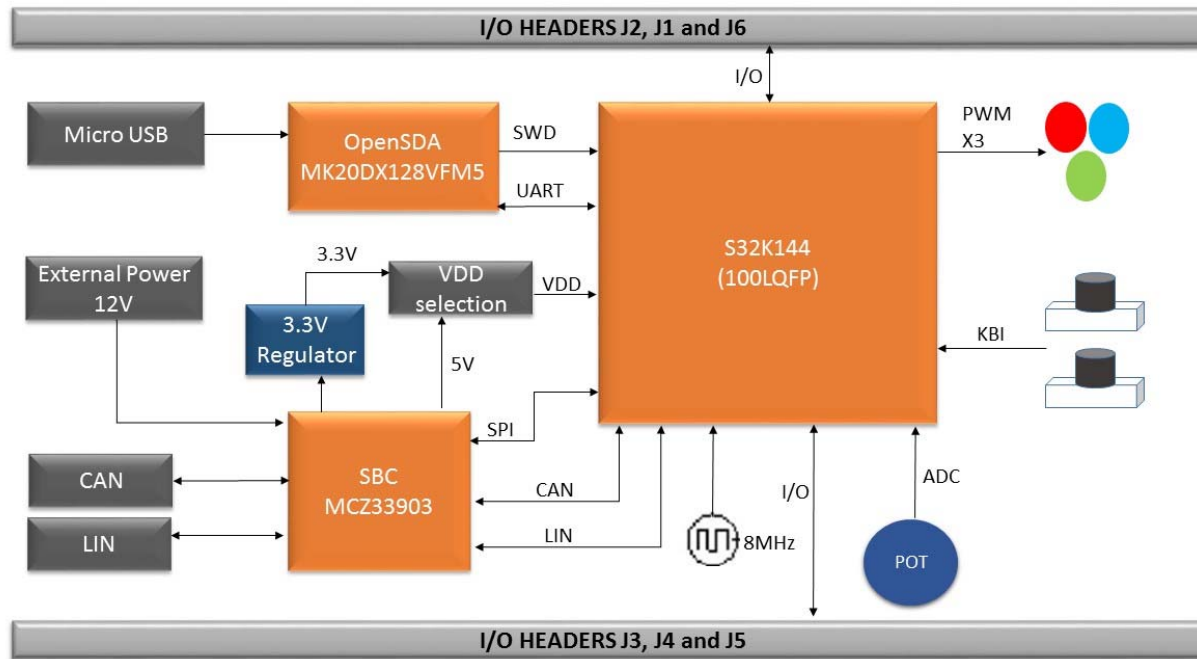
Revisions

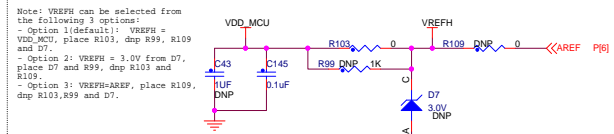
Rev	Description	Date	Approved
X1	Original Release	APR-17-2015	O. Romero
A	Production Release	APR-29-2015	O. Romero
B	2nd Production Release	JUL-20-2015	O. Romero

FREEDOM+S32K144

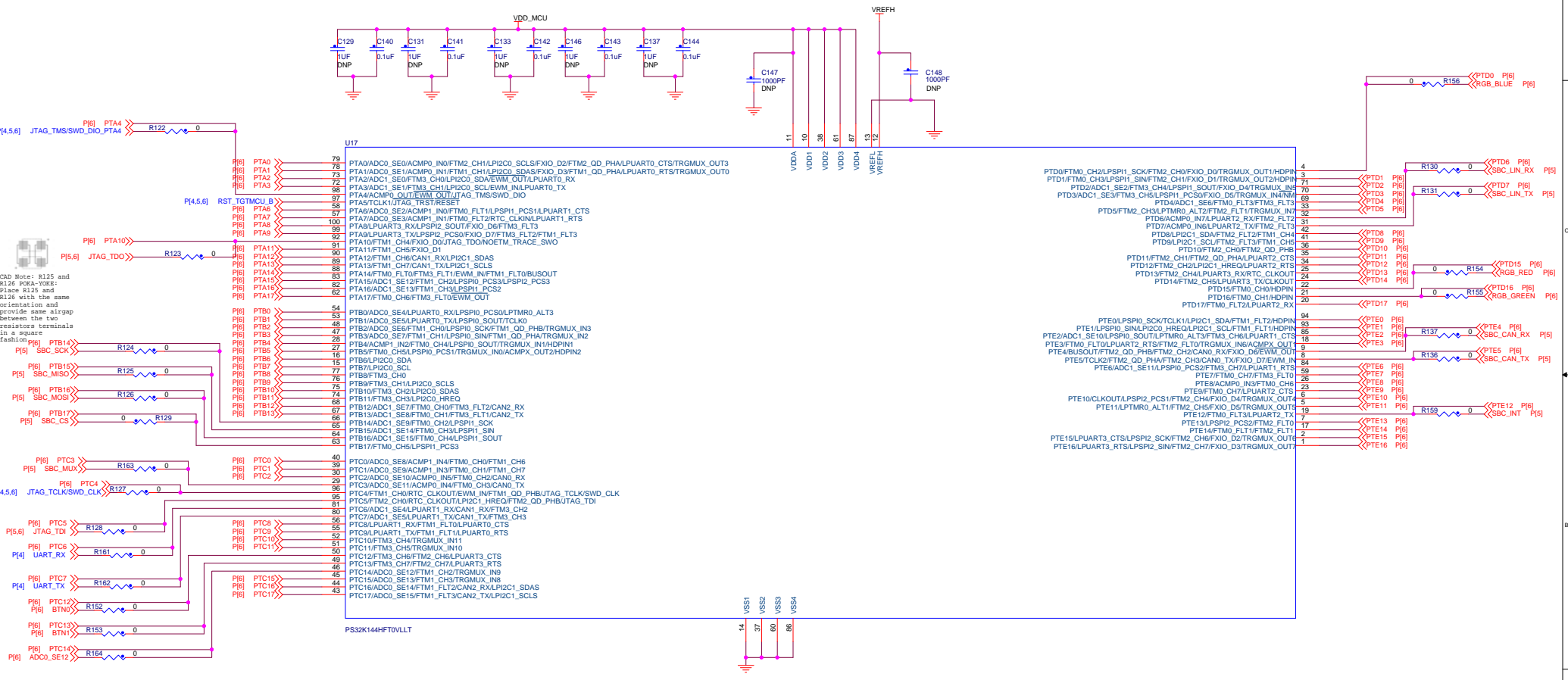
		Microcontroller Solutions Group	
		6501 William Cannon Drive West Austin, TX 78735-8593	
<small>This document contains information proprietary to Freescale Semiconductor and shall not be used for engineering design, procurement or manufacture in whole or in part without the express written permission of Freescale Semiconductor.</small>			
Designer: Osvaldo Romero		ICAP Classification: FCP: FLUQ: X PUB:	
Drawing Title: Osvaldo Romero		FRDMPK144-Q100	
Drawn by: Osvaldo Romero		Page Title: TITLE PAGE	
Approved: APPROVER	Size C	Document Number SCH-28810 PDF: SPF-28810	Rev B
Date: Monday, July 20, 2015		Sheet 1 of 6	

- Unless Otherwise Specified:
 All resistors are in ohms, 1% and 5%
 All capacitors are in uF, 10%, 20% and 5%
 All voltages are DC
 All polarized capacitors are aluminum electrolytic
- Interrupted lines coded with the same letter or letter combinations are electrically connected.
- Device type number is for reference only. The number varies with the manufacturer.
- Special signal usage:
 _B Denotes - Active-Low Signal
 <> or [] Denotes - Vectored Signals
- Interpret diagram in accordance with American National Standards Institute specifications, current revision, with the exception of logic block symbology.





AREF



QAD Note: R125 and R126 have same airgap between the two resistors terminals in a square fashion

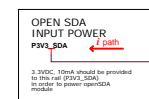
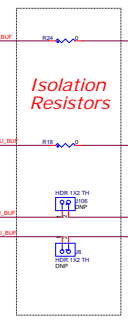
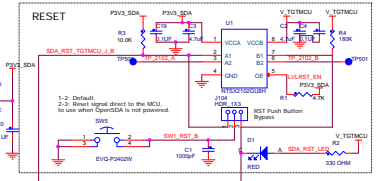
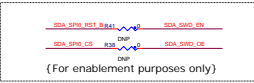
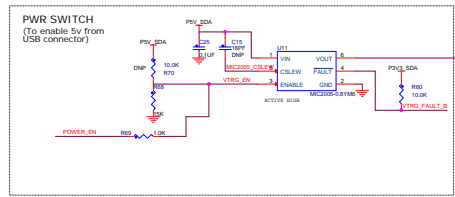
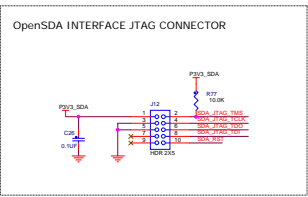
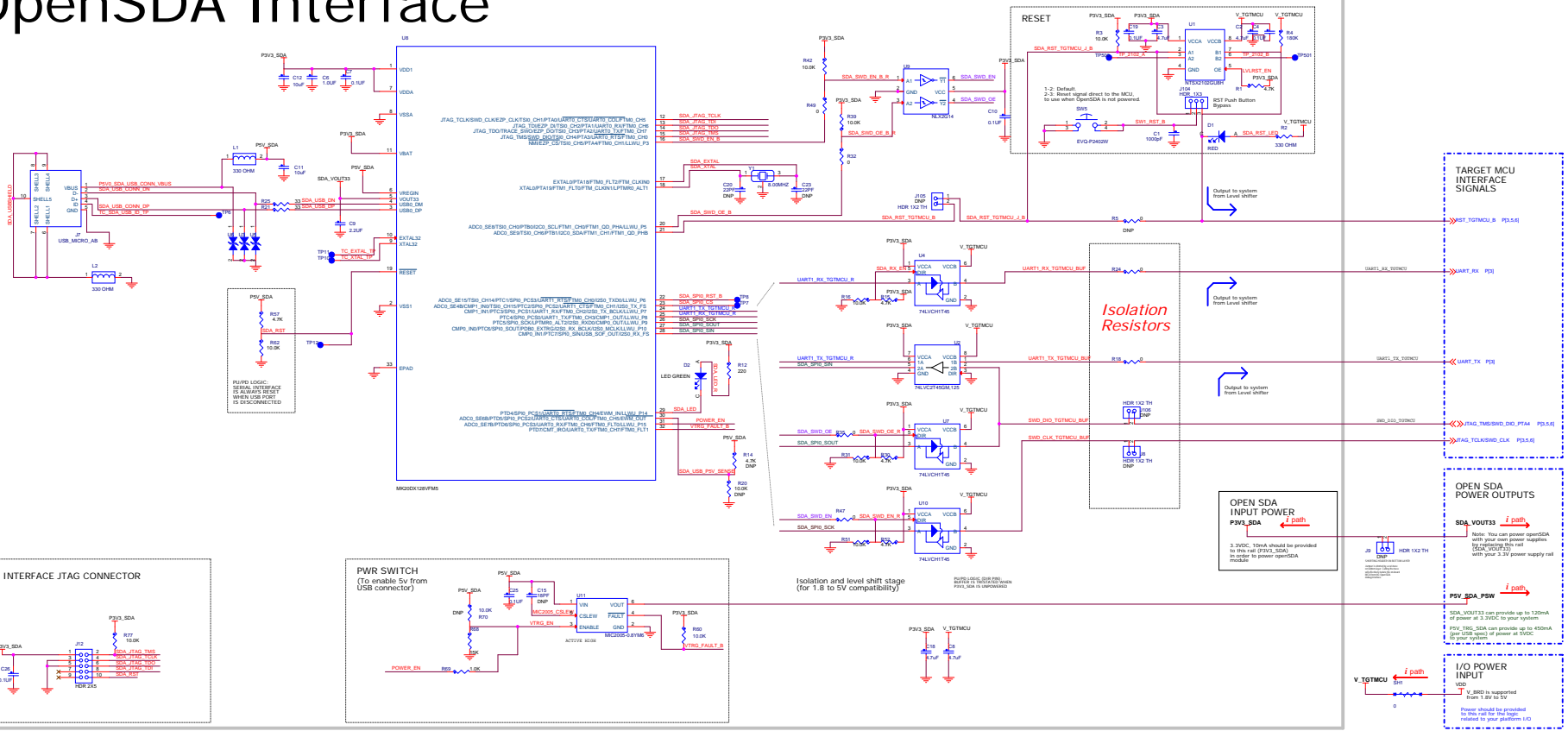
freescale
semiconductor

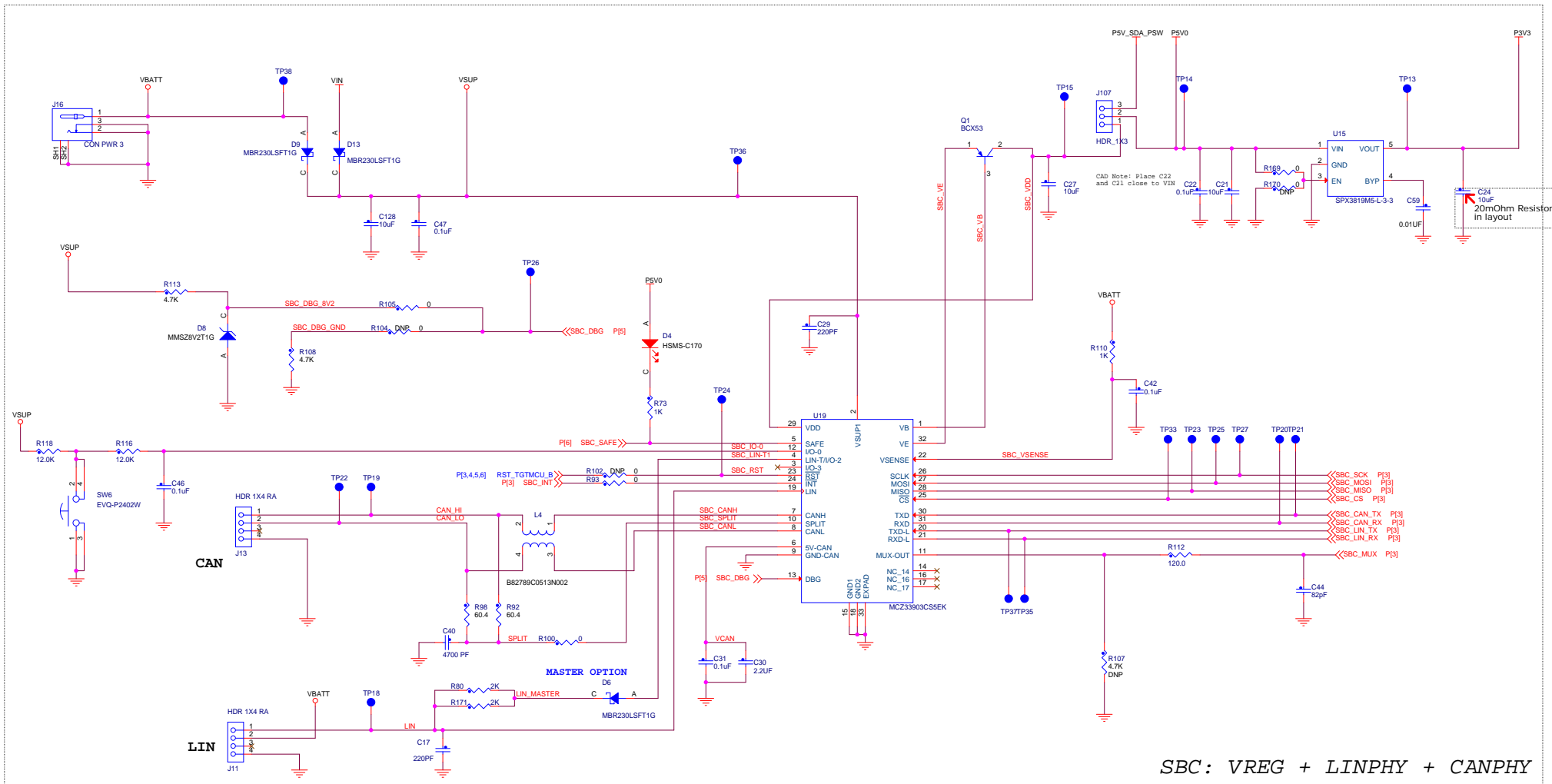
ICAP Classification: FCP: F100: X PUBL: _____
Drawing Title: **FRDMPK144-Q100**

Page Title: **S32K144 MCU**

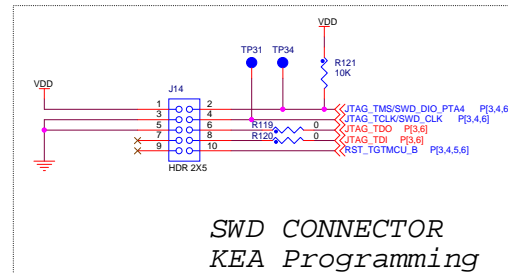
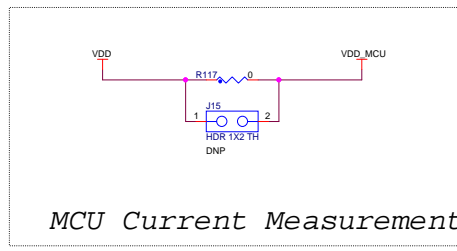
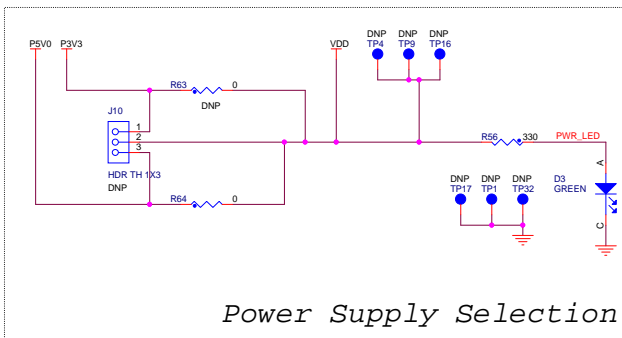
Size C	Document Number SCH-28810 PDF: SPF-28810	Rev B
Date: Monday, July 20, 2015	Sheet 3 of 6	

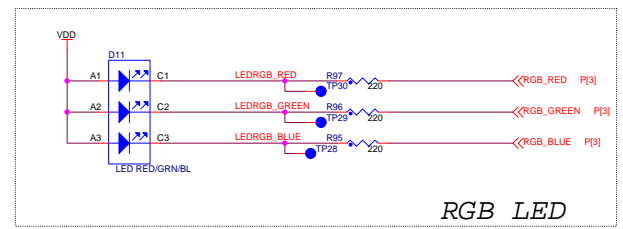
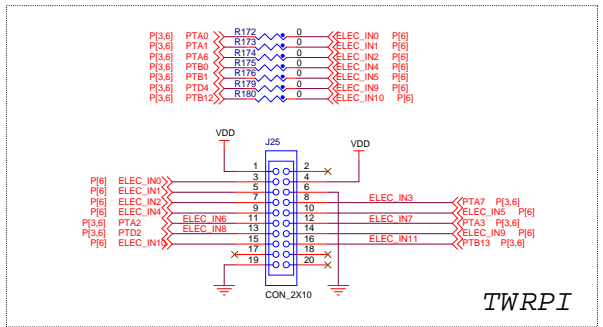
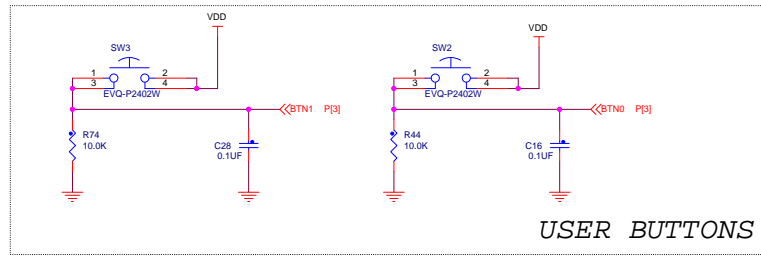
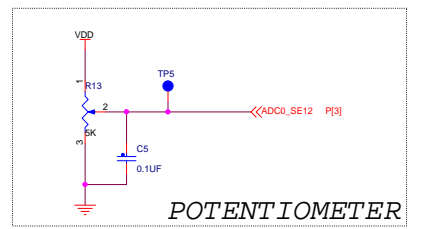
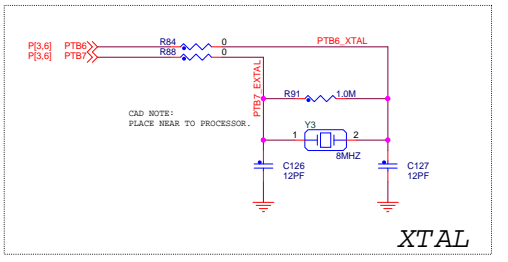
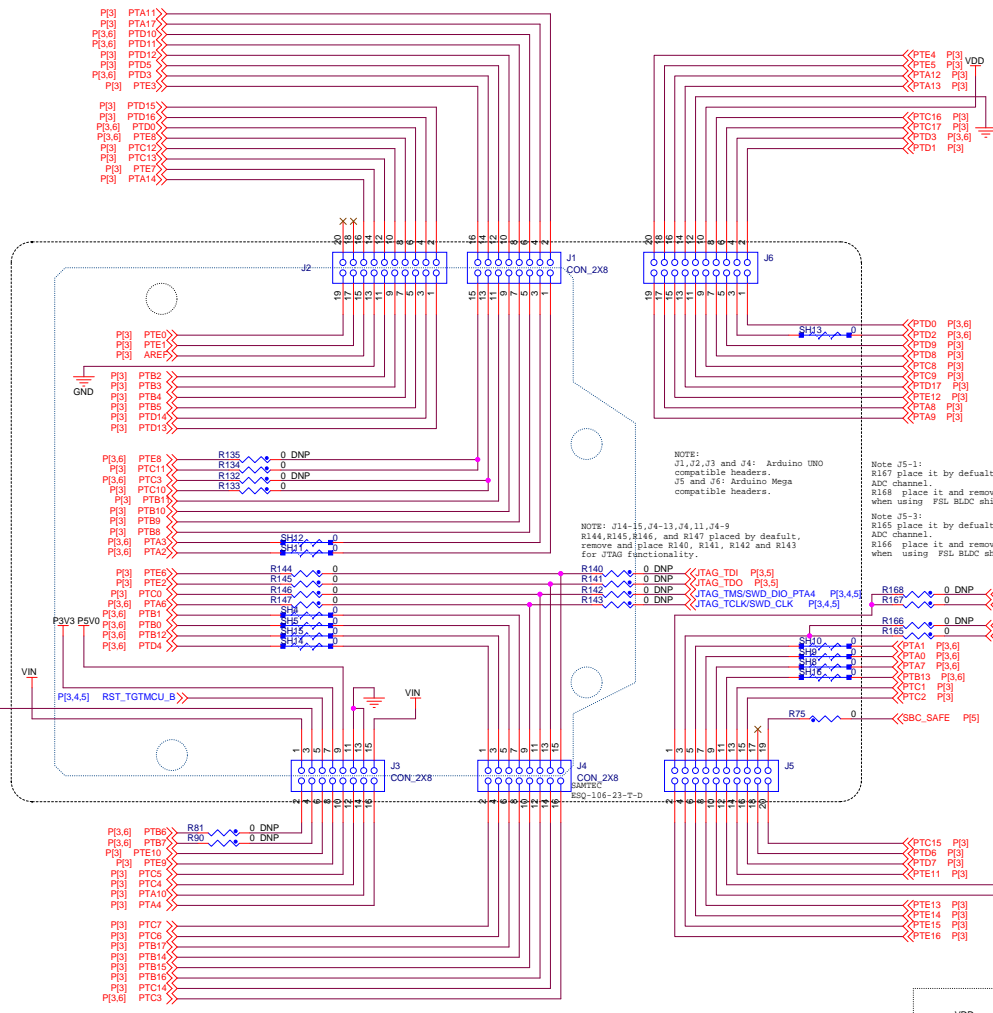
OpenSDA Interface





SBC: VREG + LINPHY + CANPHY





freescale

ICAP Classification: FCP: _____ FIUC: X PUBL: _____
 Drawing Title: **FRDMPK144-Q100**
 Page Title: **IO Headers**

Size C	Document Number SCH-28810 PDF: SPF-28810	Rev B
--------	--	-------

Date: Monday, July 20, 2015 Sheet 6 of 6