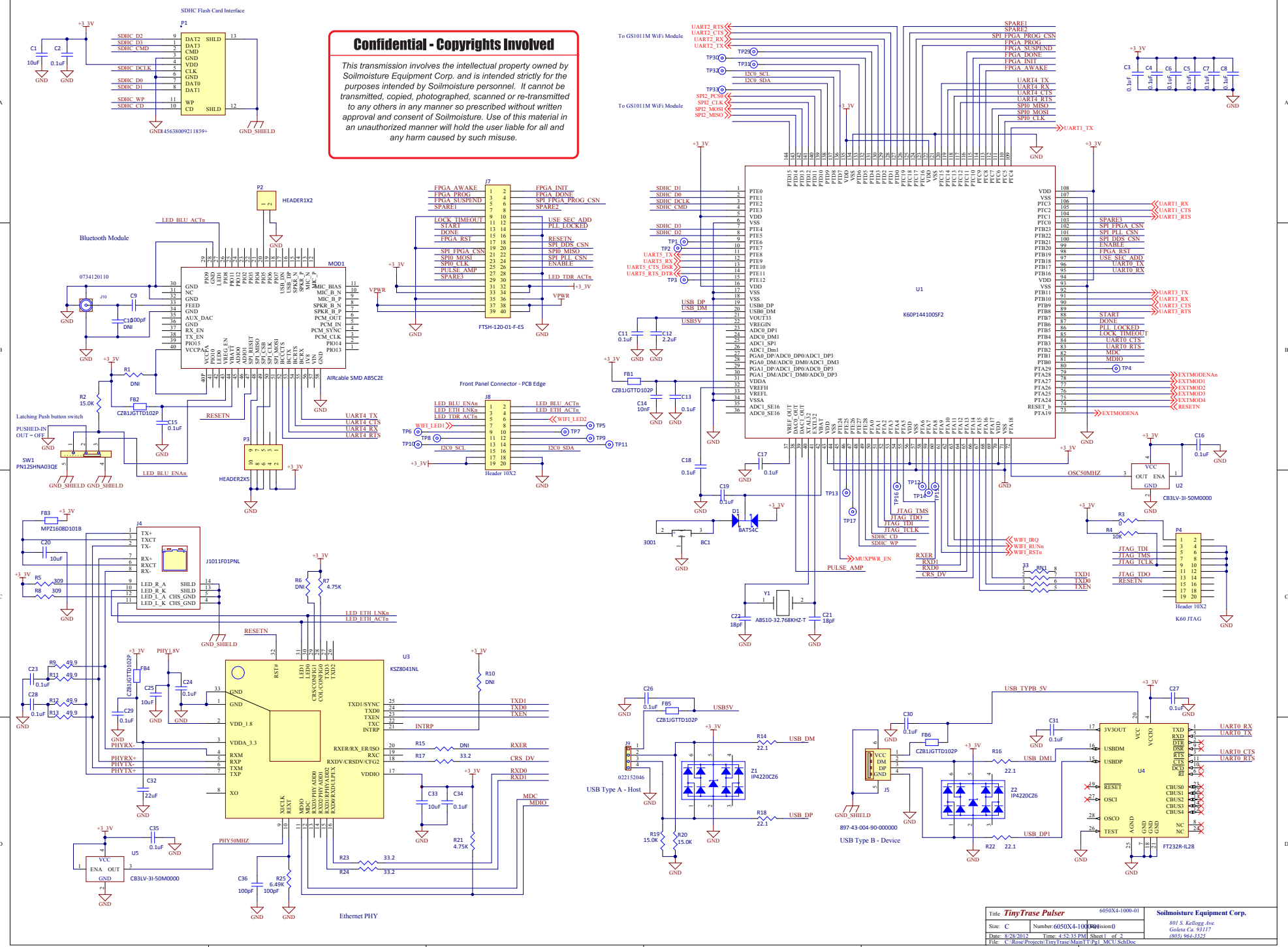
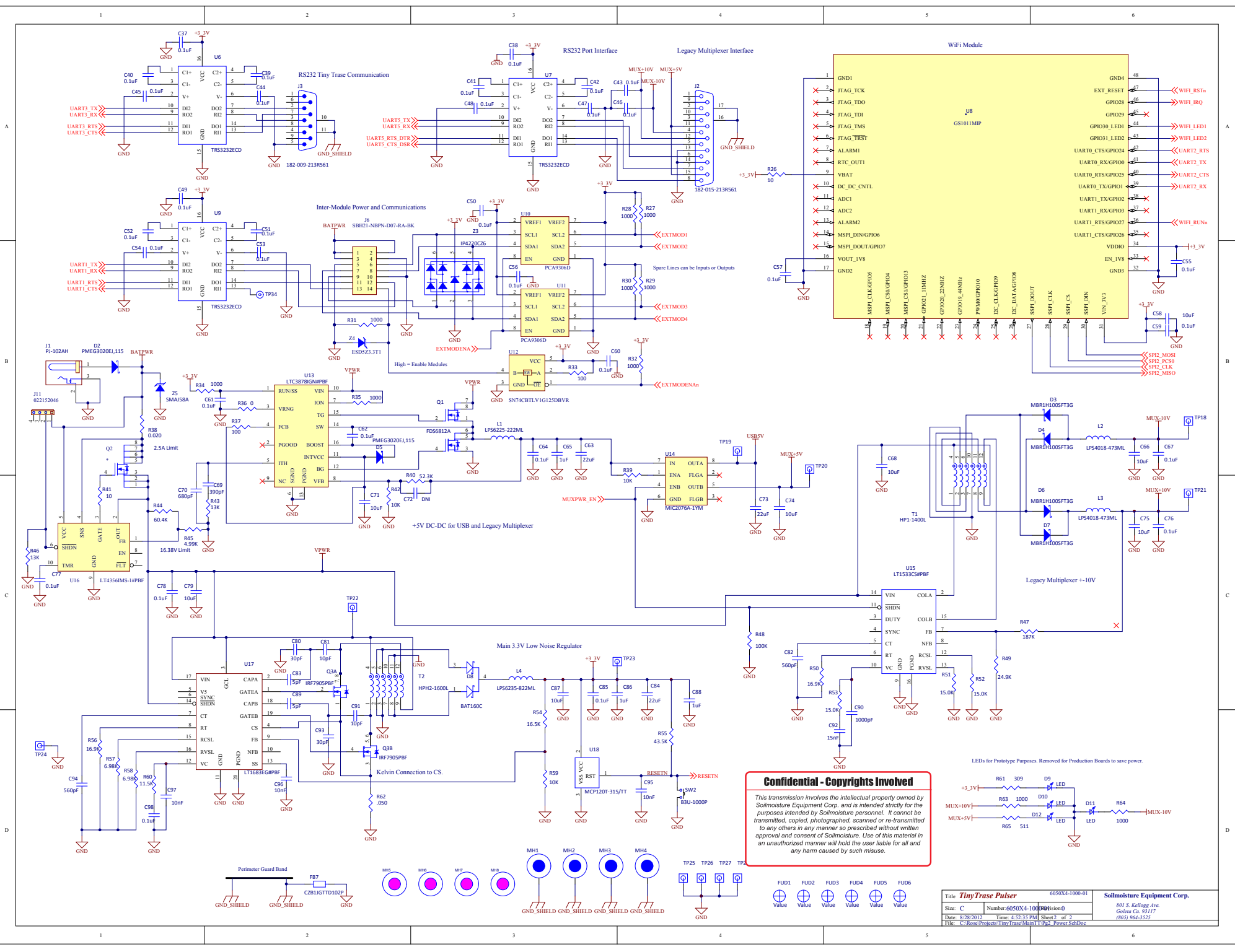


Confidential - Copyrights Involved

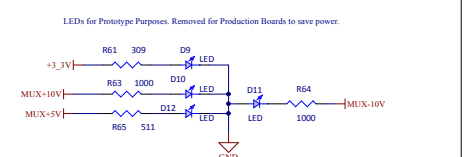
This transmission involves the intellectual property owned by Soilmoisture Equipment Corp. and is intended strictly for the purposes intended by Soilmoisture personnel. It cannot be transmitted, copied, photographed, scanned or re-transmitted to any others in any manner so prescribed without written approval and consent of Soilmoisture. Use of this material in an unauthorized manner will hold the user liable for all and any harm caused by such misuse.





Confidential - Copyrights Involved

This transmission involves the intellectual property owned by Soilmoisture Equipment Corp. and is intended strictly for the purposes intended by Soilmoisture personnel. It cannot be transmitted, copied, photographed, scanned or re-transmitted to any others in any manner so prescribed without written approval and consent of Soilmoisture. Use of this material in an unauthorized manner will hold the user liable for all and any harm caused by such misuse.



Title TinyTrase Pulsar		6050X4-1000-01	Soilmoisture Equipment Corp.
Size: C	Number: 6050X4-1000-01	Revision: 0	801 S. Kellogg Ave. Goleta, CA 93117 (805) 964.3325
Date: 8/28/2012	Time: 4:53:15 PM	Sheet: 2 of 3	
File: C:\Rose\Projects\TinyTrase\Main1\T2a2_Power.SchDoc			

FUD1	FUD2	FUD3	FUD4	FUD5	FUD6
Value	Value	Value	Value	Value	Value