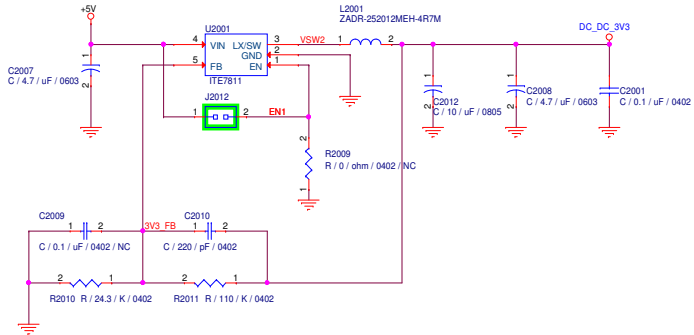
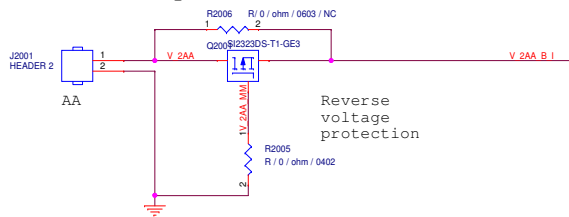


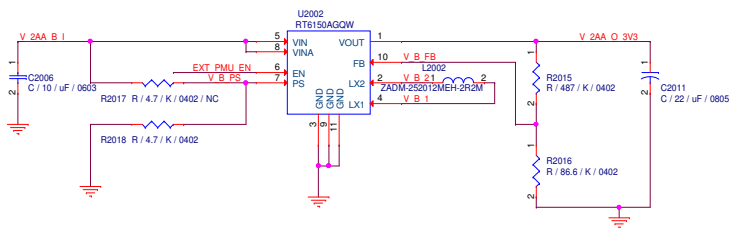
DC\_DC\_3V3



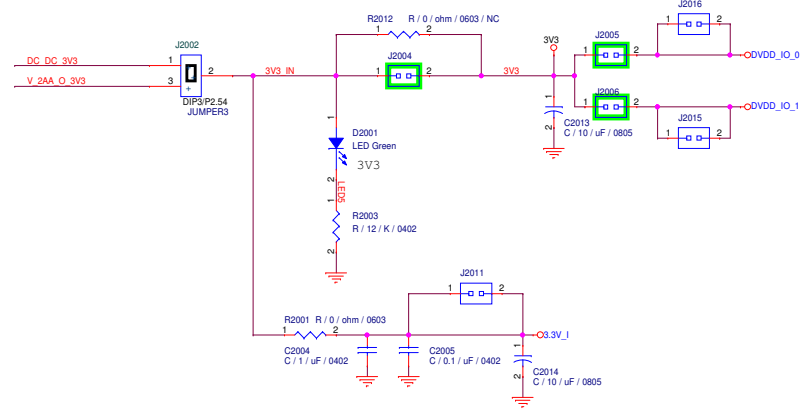
2xAA Battery



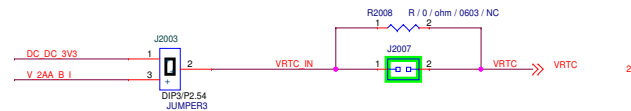
Reverse voltage protection



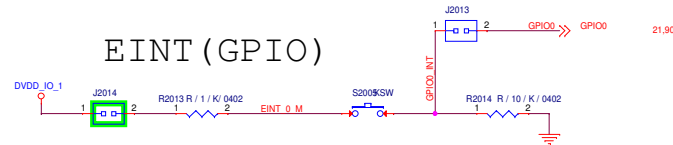
IC Power Consumption Measurement



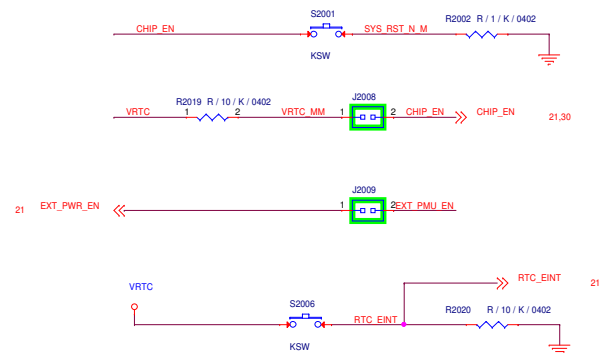
RTC Domain Power Measurement



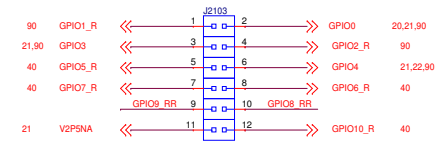
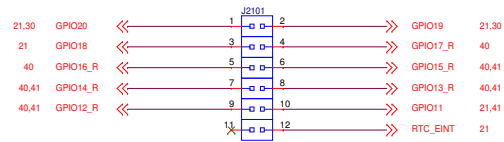
EINT (GPIO)



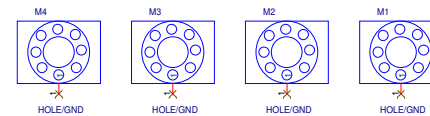
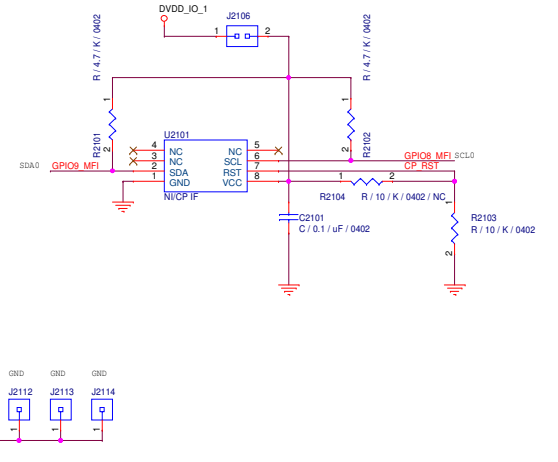
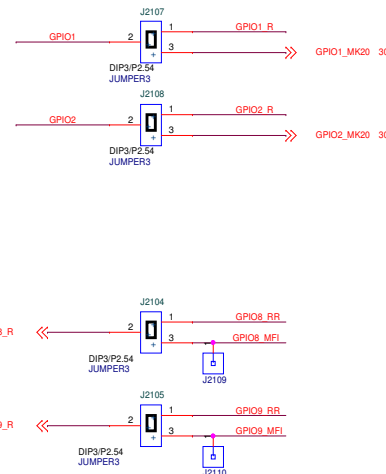
Reset Button



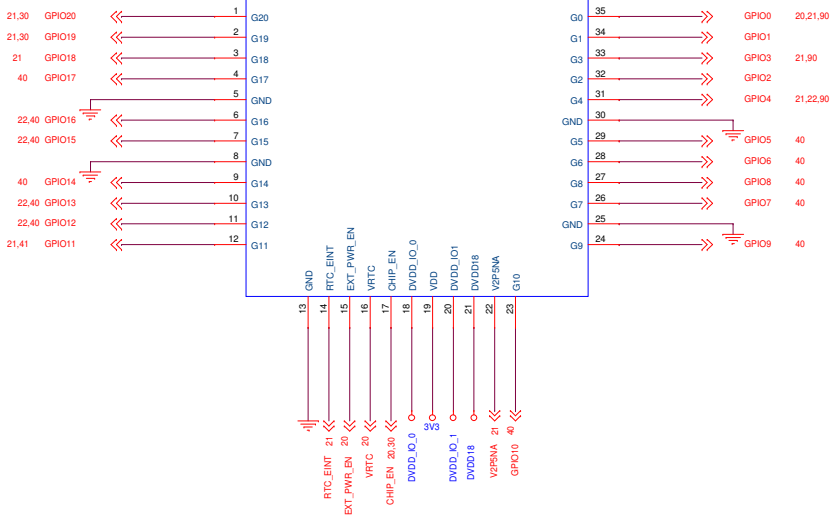
MT7686\_MT7682  
Module



USB1

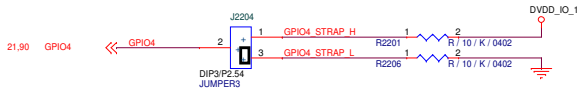


J2102  
Module Base



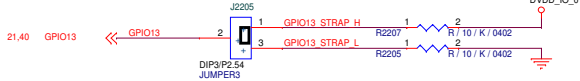
<b>MEDIATEK</b>		<b>MediaTek Inc.</b>	
		MT76x7 Main Board	
Size	C	Document Number	2_Test Interface
Date:	Thursday, April 13, 2017	Sheet	21 of 99

### Host Interface Enable



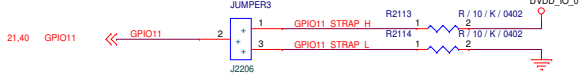
{GPIO4}  
0: Disable Host Interface at boot (default)  
1: Enable Host Interface

### Host Interface Select (active if HIF\_EN=1)



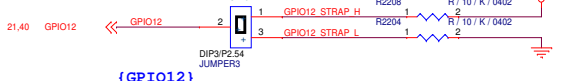
{GPIO13}  
1: host interface via SDIO slave (default)  
0: host interface via SPI slave

### SLT\_MODE



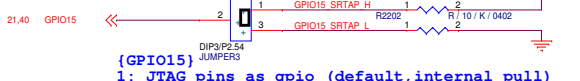
{GPIO11}  
0: normal (default, internal pull)  
1: SLT

### DL\_MODE\_B



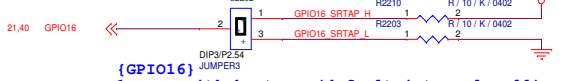
{GPIO12}  
1: no download (default, internal pull)  
0: UART download

### JTAG\_FIX\_B

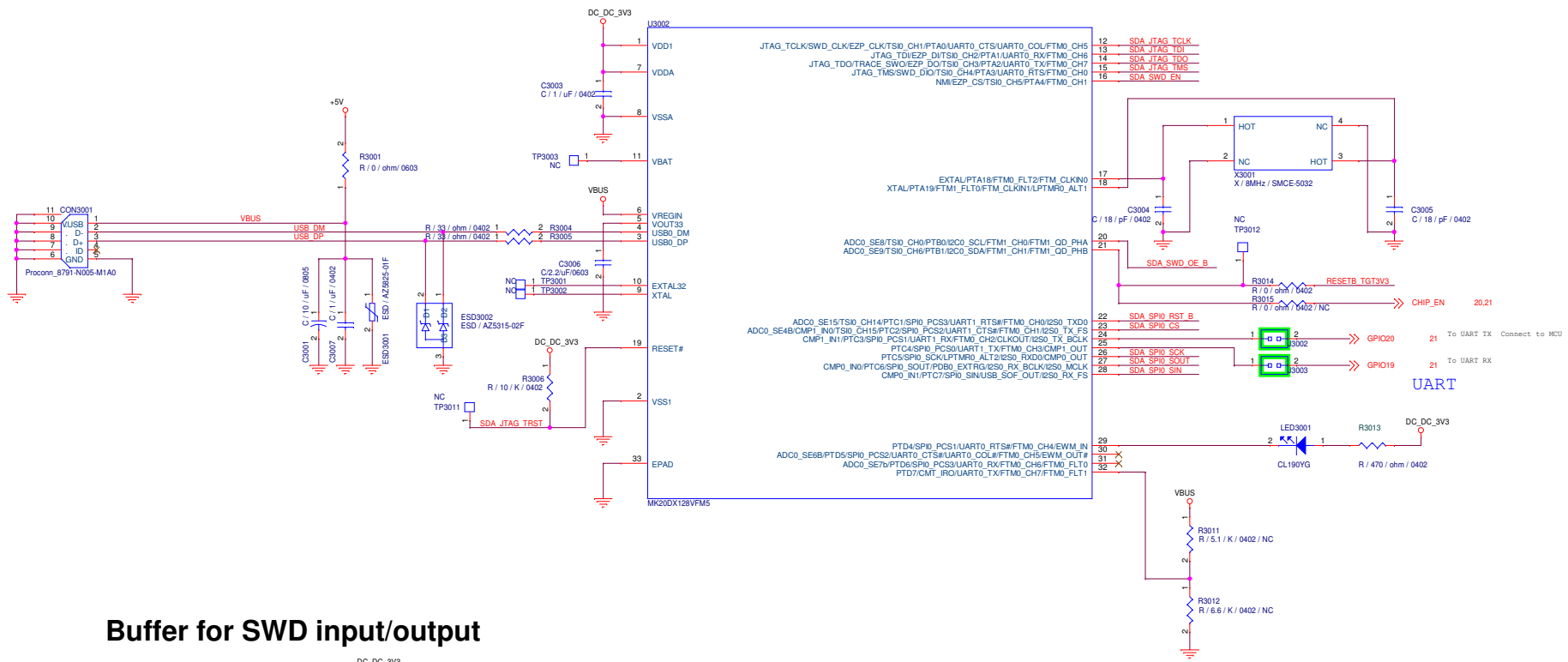


{GPIO15}  
1: JTAG pins as gpio (default, internal pull)  
0: JTAG pins fixed for JTAG use

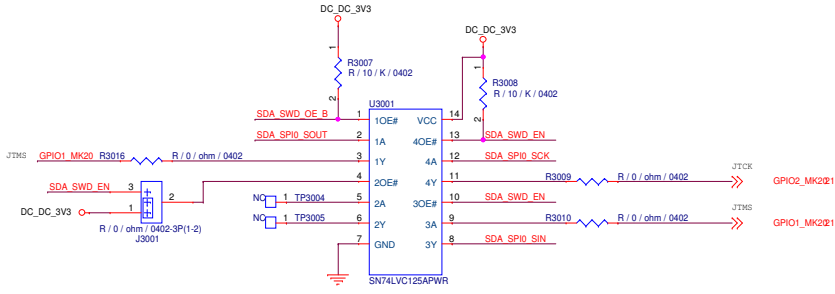
### BROM\_BYPASS\_B



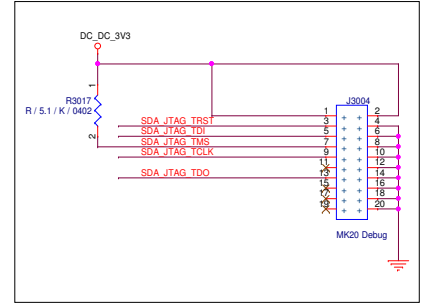
{GPIO16}  
1: run with bootrom (default, internal pull)  
0: bypass bootrom



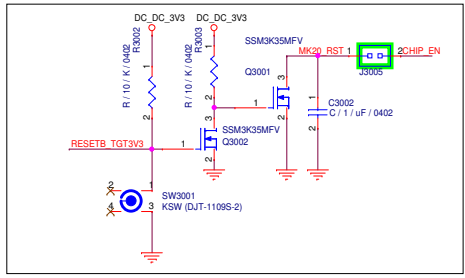
### Buffer for SWD RST input/output



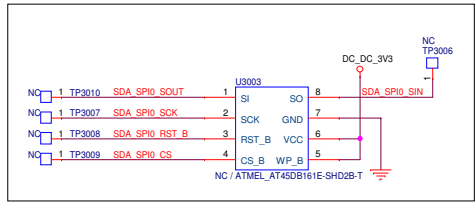
### MK20 JTAG connector



### For RESETB LVS

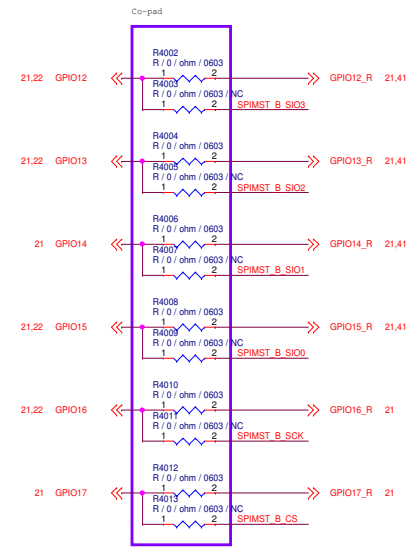
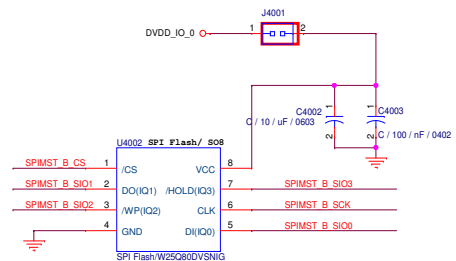
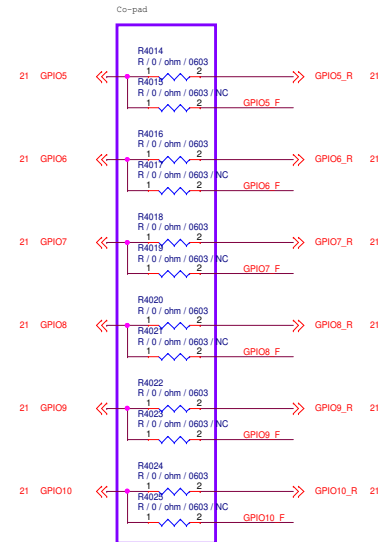
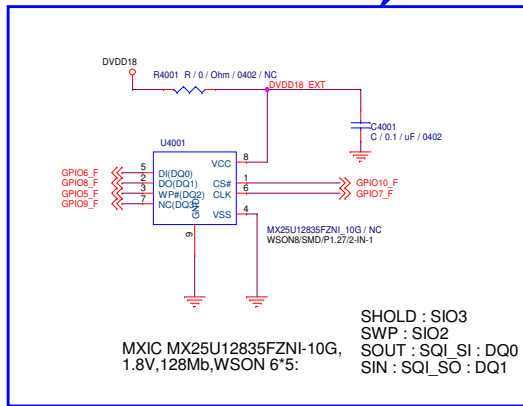


### SPI FLASH MEMORY

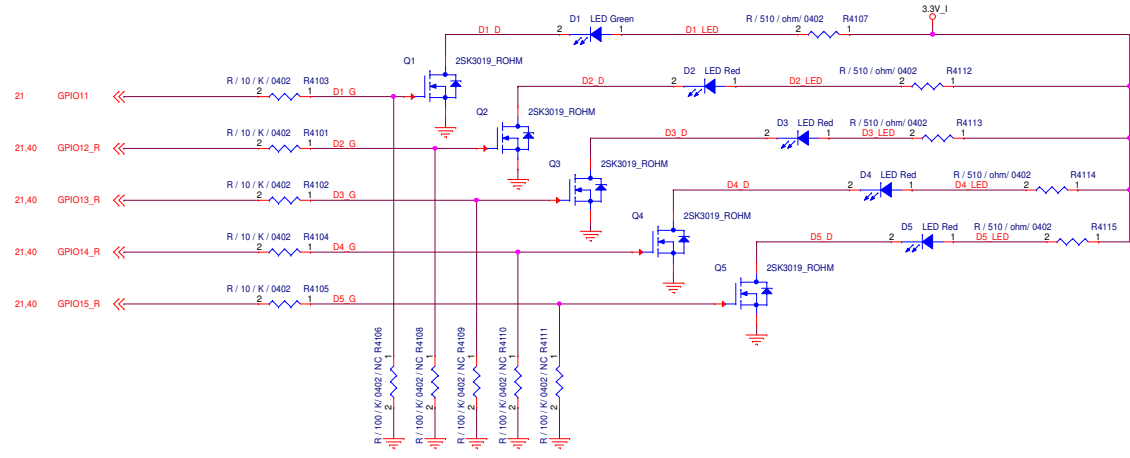


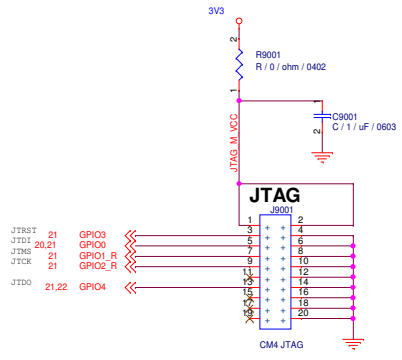
GPIO5 : SFSWP  
 GPIO6 : SFSOUT  
 GPIO7 : SFSCK  
 GPIO8 : SFSIN  
 GPIO9 : SFSHOLD  
 GPIO10 : SFSO

**Note: 40-1**



# USER LED





JTRST 21 GPIO3  
 JTD1 20,21 GPIO0  
 JTKG 21 GPIO\_R  
 JICK 21 GPIO\_R  
 JTD0 21,22 GPIO\_R