

Table of Contents

1	TABLE OF CONTENTS/REVISION HISTORY
2	CMSIS DAP
3	POWER
4	LS1012 : DDR, QSPI, SERDES
5	LS1012: DBG, USB3.0, CLOCK
6	LS1012: POWER BLOCK
7	SGMII PHYs
8	AUDIO & RESET LOGIC
9	MIKROBUS CLICK & SPI BRIDGE
10	mPCIE Slot & SD Card

D

D

C

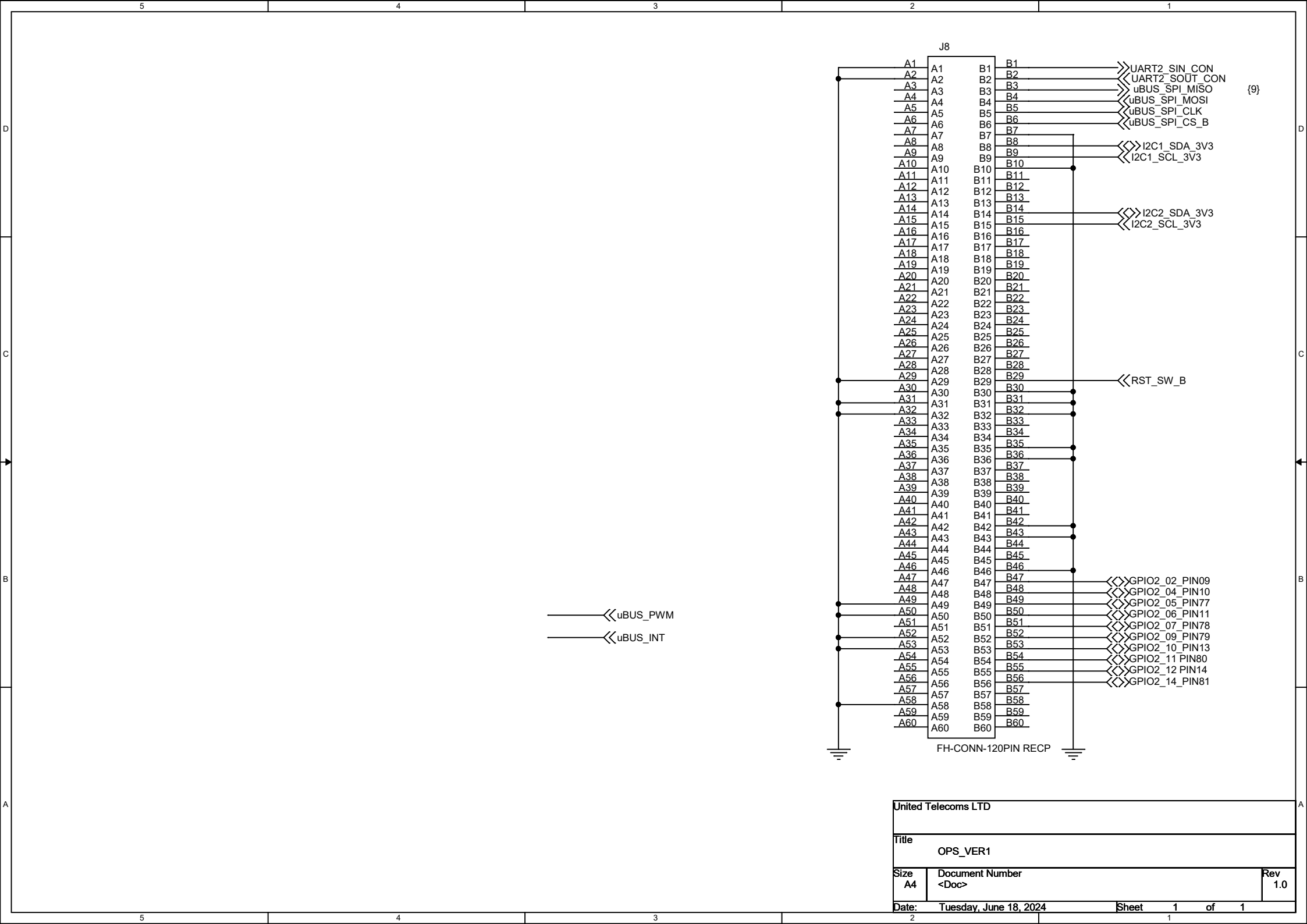
C

B

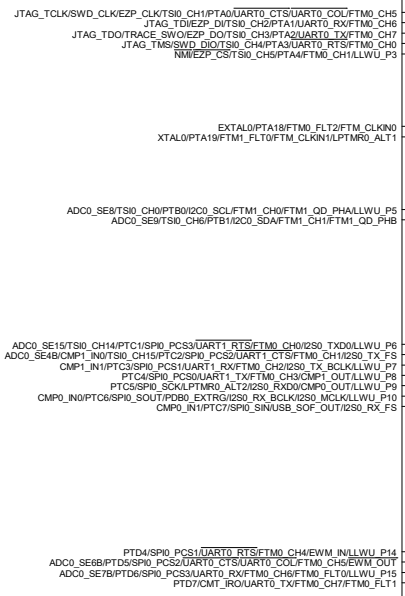
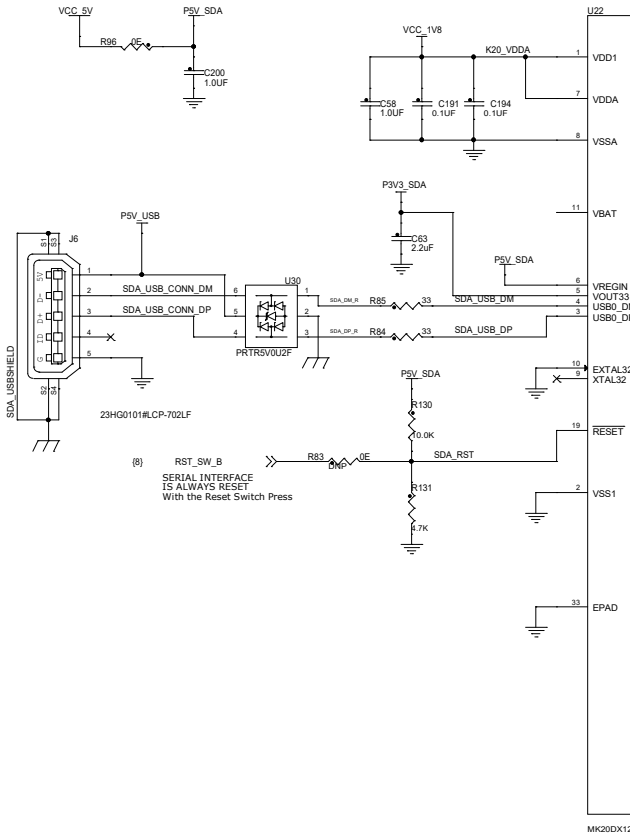
B

A

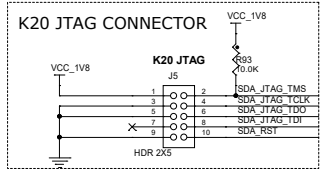
A



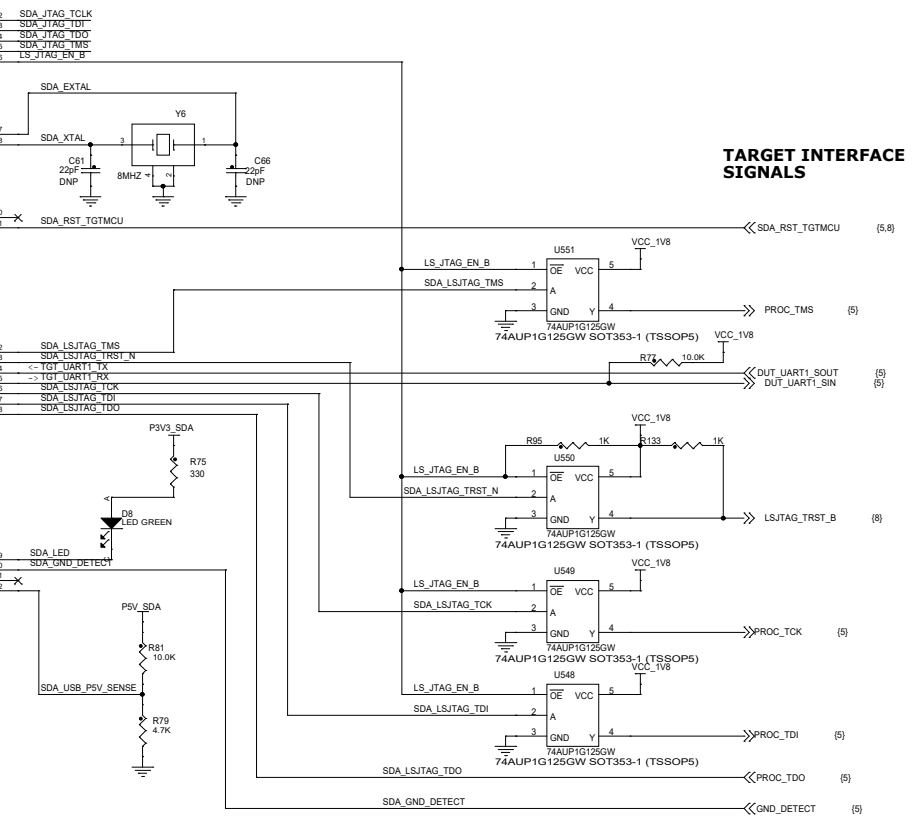
United Telecoms LTD			
Title			
OPS_VER1			
Size	Document Number		Rev
A4	<Doc>		1.0
Date:	Tuesday, June 18, 2024	Sheet	1 of 1



CMSIS-DAP INTERFACE



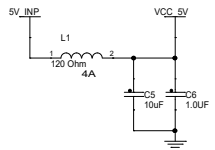
TARGET INTERFACE SIGNALS



VAR1

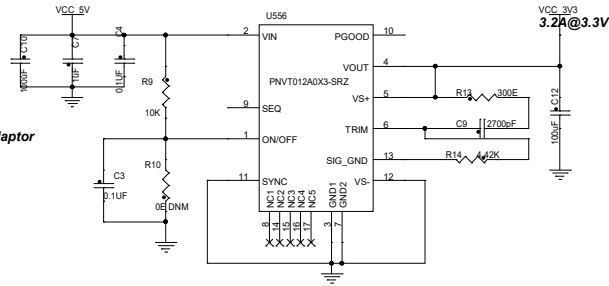
ICAP Classification: CP: X IUC: PUBL: _____
 Drawing Title: **XFRWY-LS1012A**
 Page Title: **02_CMSIS-DAP**
 Size C Document Number SCH-30191 PDF: SPF-30191 Rev B
 Date: Tuesday, June 18, 2024 Sheet 2 of 10

POWER IN

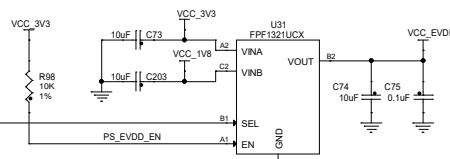
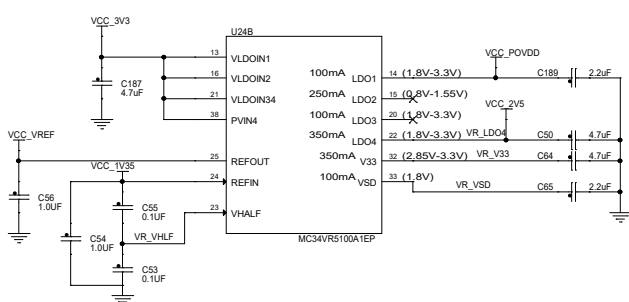
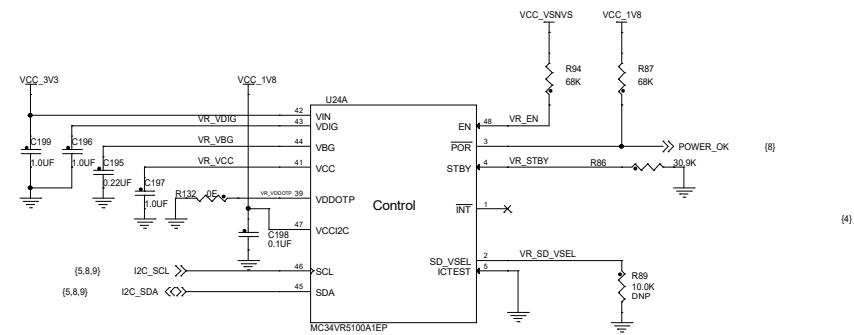
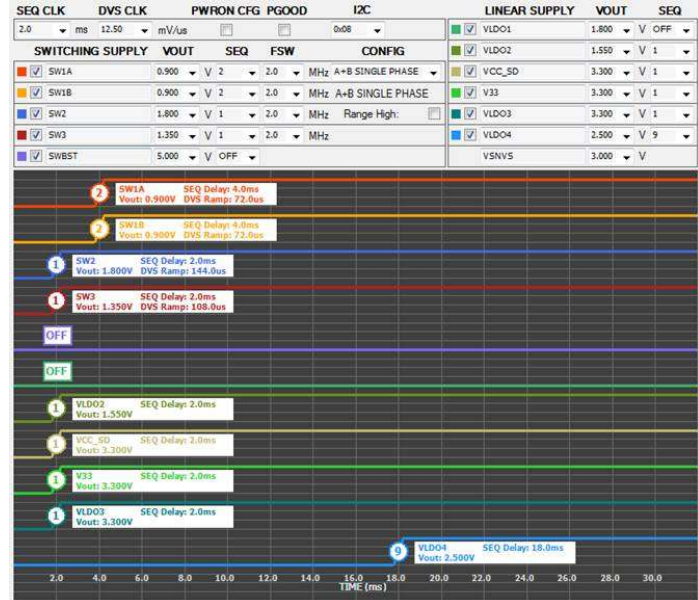
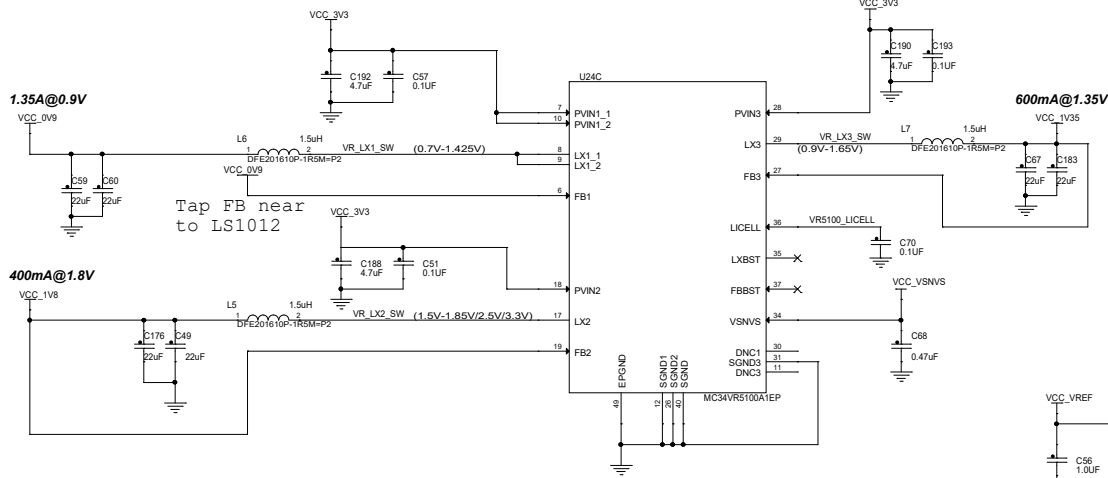


DC Jack: Input 5V @ 3.5 Amps from Adaptor

POWER 3.3V



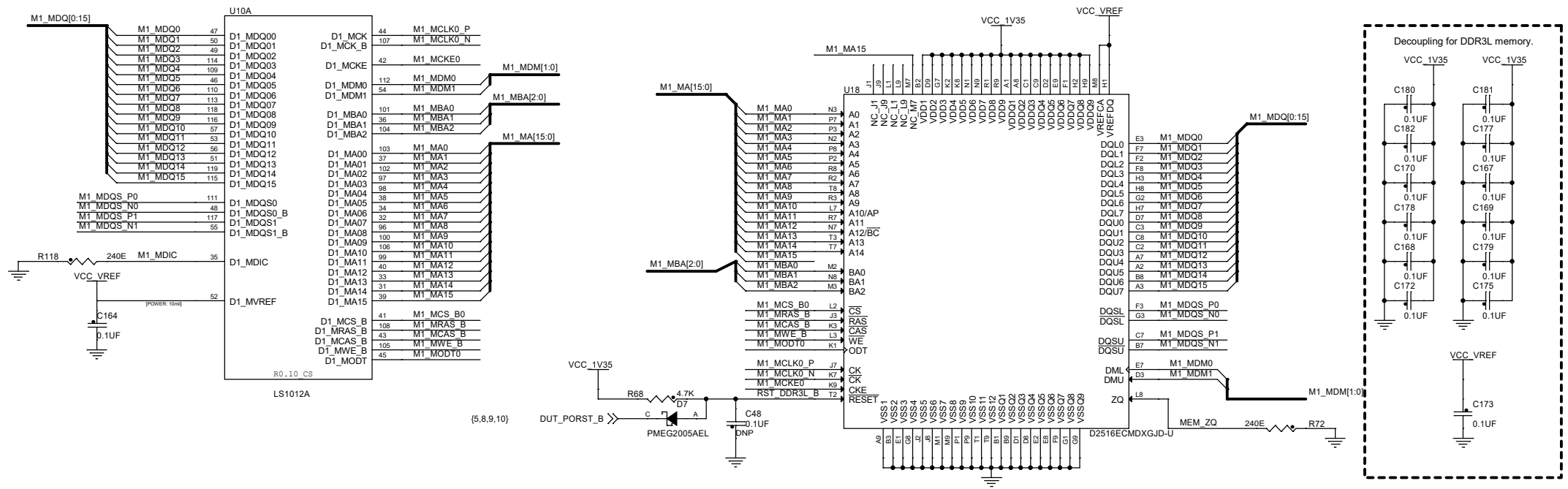
VR5100



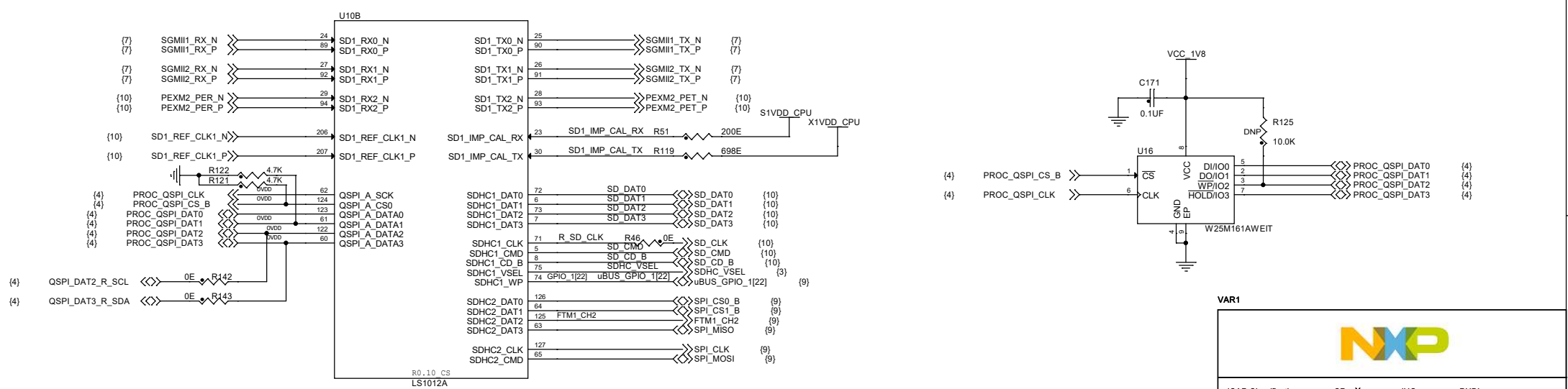
VAR1


ICAP Classification: CP: X IUC: PUBL: _____
 Drawing Title: **XFRWY-LS1012A**
 Page Title: **03_POWER**
 Size C Document Number SCH-30191 PDF: SPF-30191 Rev B
 Date: Tuesday, June 18, 2024 Sheet 3 of 10

LS1012 DDR3L CONTROLLER BLOCK



QSPI FLASH (16MBIT NOR + 1GBIT NAND)



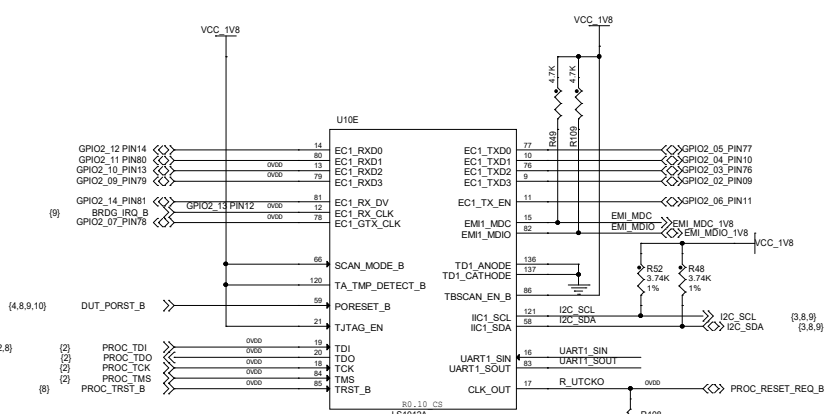
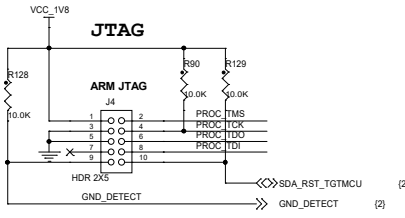


ICAP Classification: CP: X		IUO: _____		PUBI: _____	
Drawing Title: XFRWY-LS1012A					
Page Title: 04_LS1012 DDR3L, QSPI, SERDES					
Size A3	Document Number	SCH-30191 PDF: SPF-30191			Rev B
Date: Tuesday, June 18, 2024		Sheet 4	of 10		

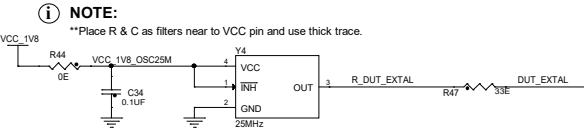
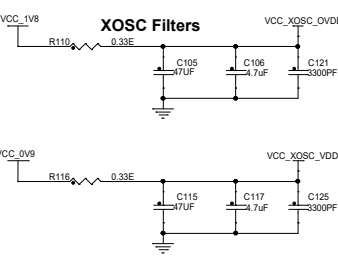
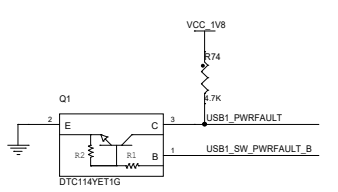
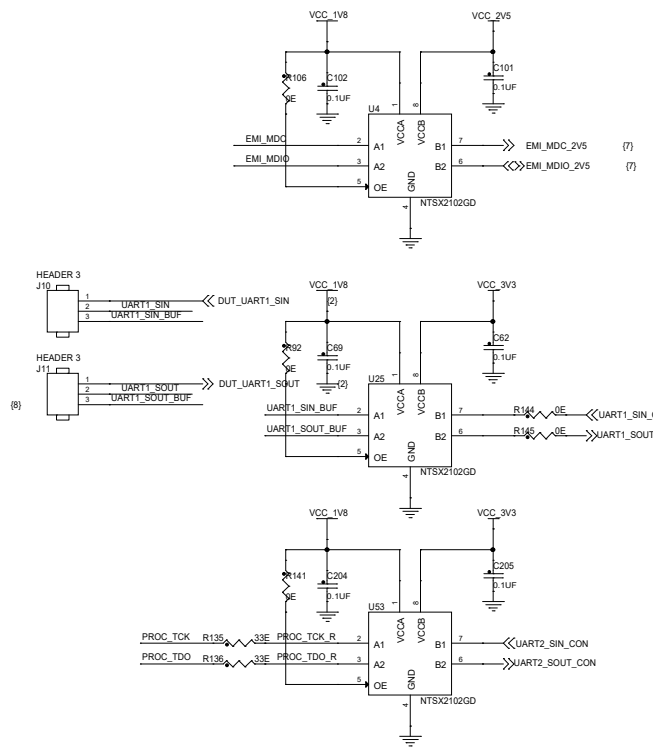
LS1012 EMI, JTAG, UART & I2C BLOCK

NOTE:

RXDV RXD0 RXD1 VERSION
 {GPIO2[14], GPIO2[12], GPIO2[11]} Rev A
 0x0 0x1 Rev B
 0x2 0x2 Rev C



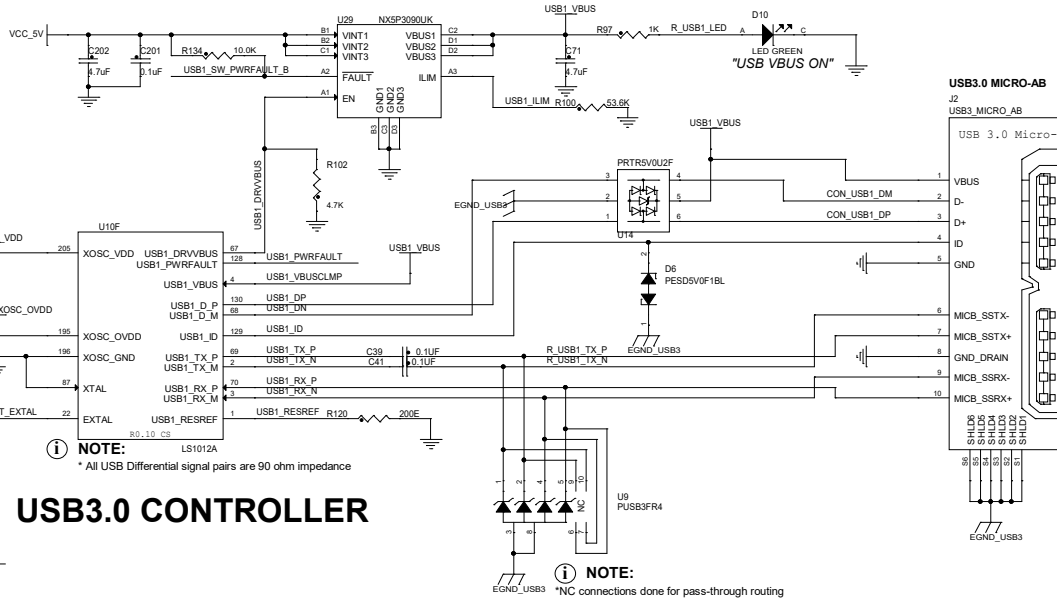
NOTE: * Capacitance on VBUS (As per USB OTG guidelines)
 <math>< 50\mu\text{F}</math>: OTG device (default)
 >math>50\mu\text{F}</math>: Standard Host (Install 100uF on VBUS)



25MHz EXTAL CLOCK

NOTE:

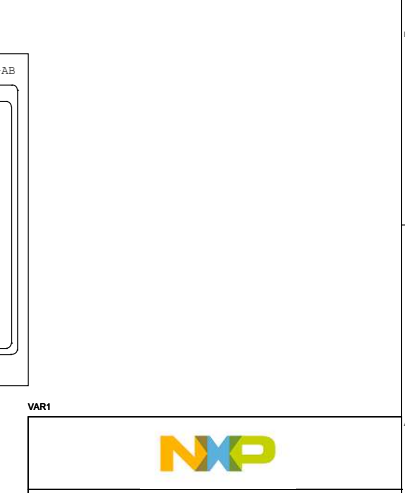
**Place R & C as filters near to VCC pin and use thick trace.



NOTE: * All USB Differential signal pairs are 90 ohm impedance

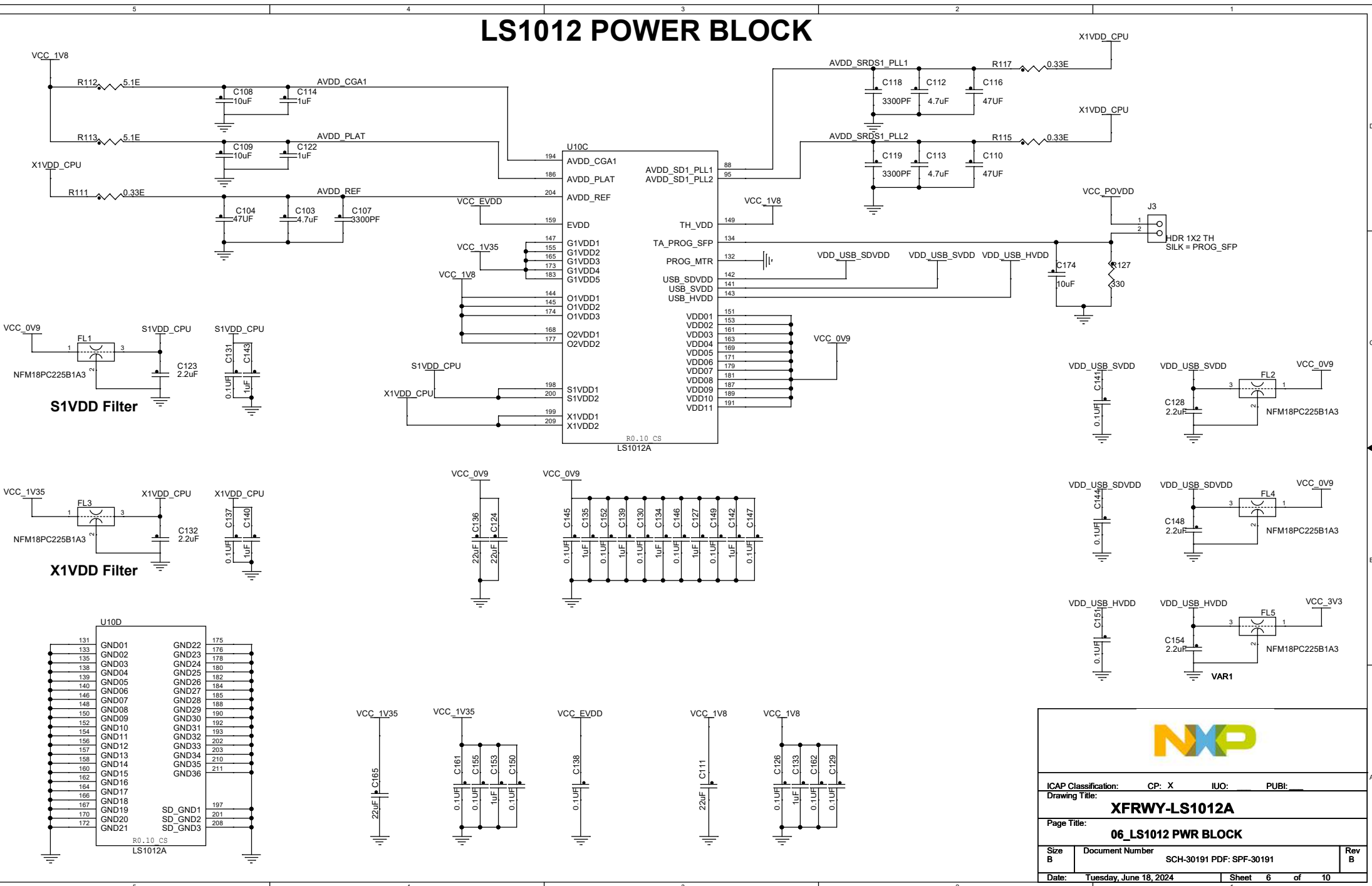
USB3.0 CONTROLLER

NOTE: *NC connections done for pass-through routing



ICAP Classification: CP: X IUC: PUBL:	
Drawing Title: XFRWY-LS1012A	
Page Title: 05_LS1012 USB3.0, CLK, DBG	
Size C	Document Number SCH-30191 PDF: SPF-30191 Rev B
Date: Tuesday, June 18, 2024	Sheet 5 of 10

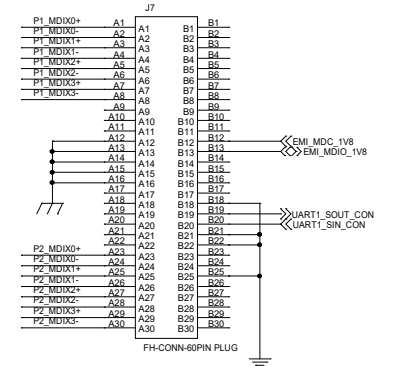
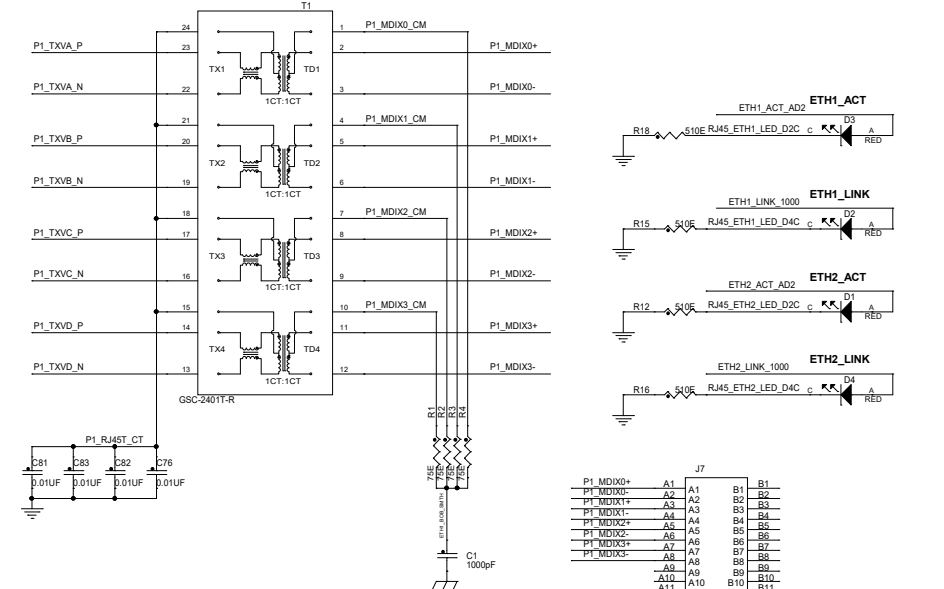
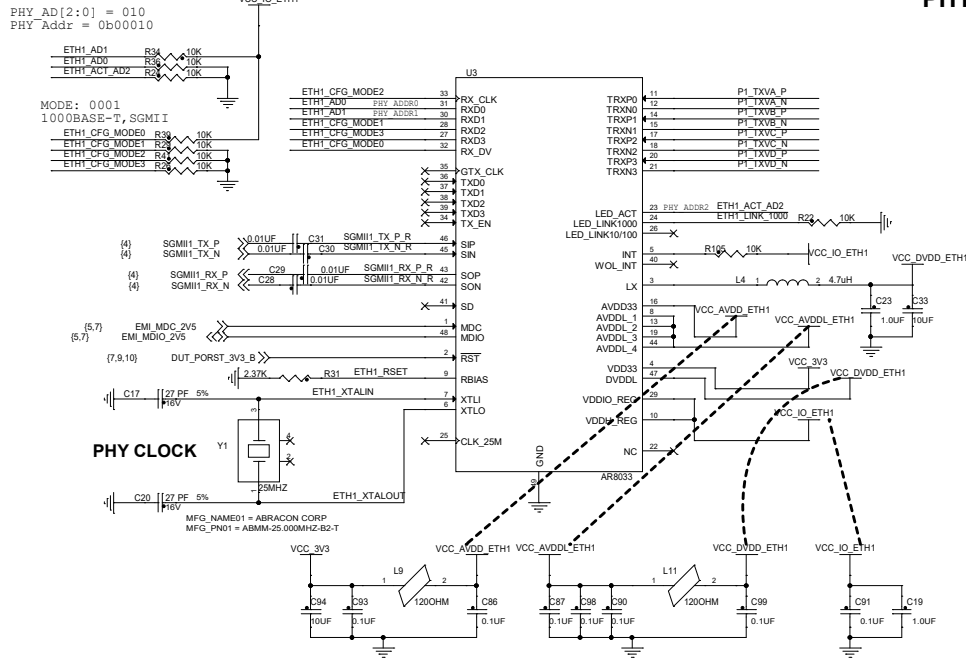
LS1012 POWER BLOCK



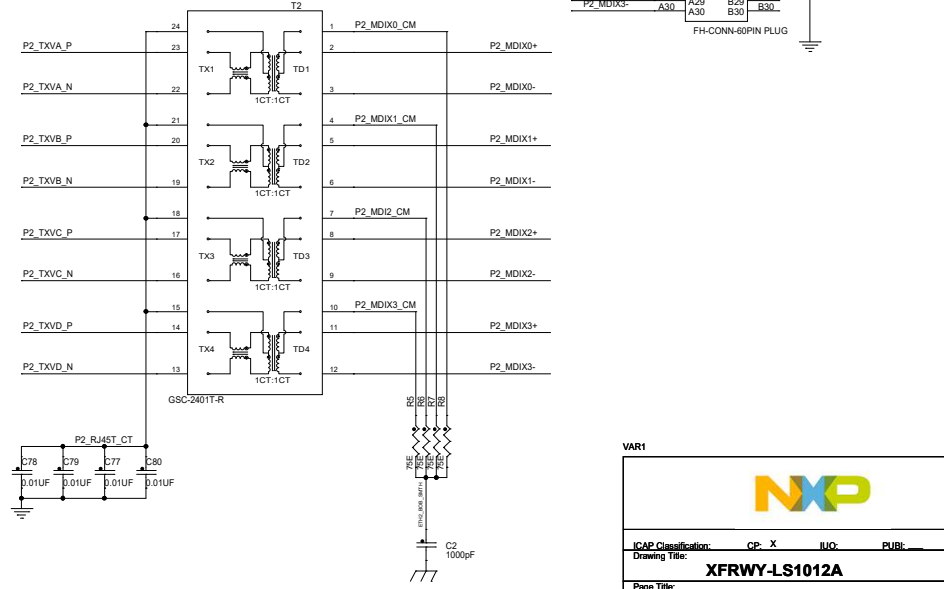
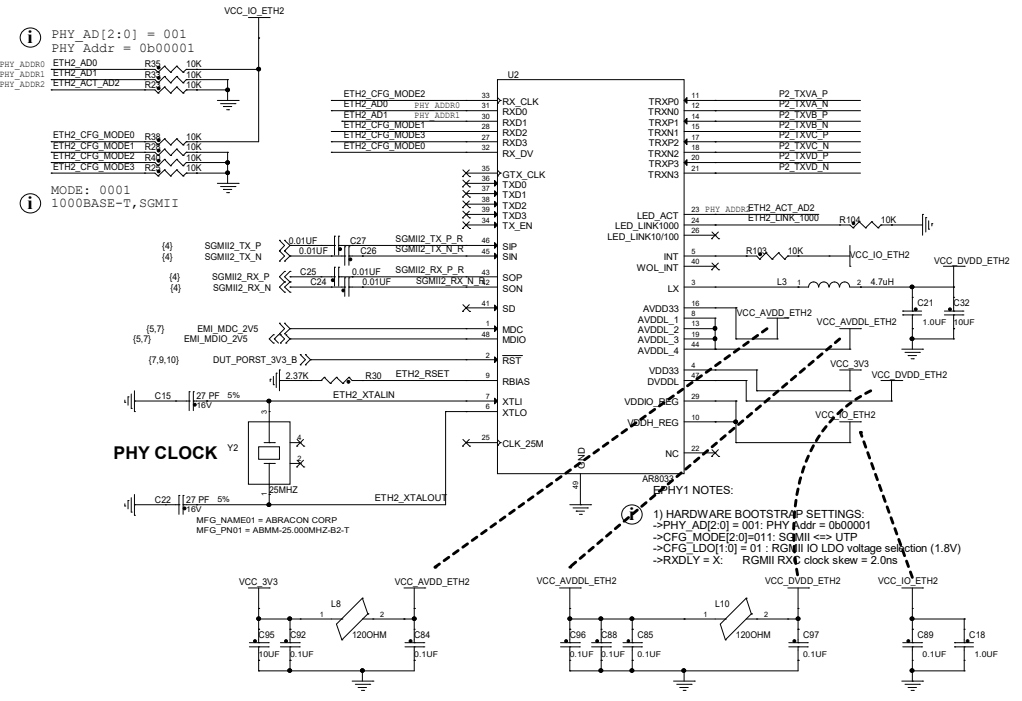
ICAP Classification: CP: X IUO: PUBI:	
Drawing Title: XFRWY-LS1012A	
Page Title: 06_LS1012 PWR BLOCK	
Size B	Document Number SCH-30191 PDF: SPF-30191
Date: Tuesday, June 18, 2024	Sheet 6 of 10

ETHERNET SGMII PHY INTERFACE

PHY1



PHY2



- PHY1 NOTES:**
- HARDWARE BOOTSTRAP SETTINGS:
 - PHY_AD[2:0] = 001; PHY Addr = 0b00001
 - CFG_MODE[2:0]=011; SGMII <=> UTP
 - CFG_LD[0:1]=01; RGMII IO LDO voltage selection (1.8V)
 - RXDLY = X; RGMII RX clock skew = 2.0ns

NXP

ICAP Classification: CP: X IUC: PUBL:

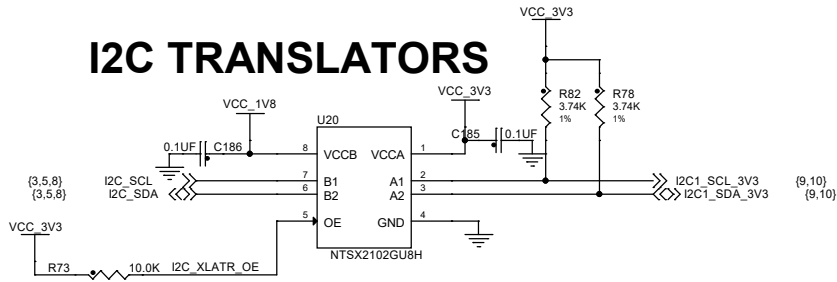
Drawing Title: **XFRWY-LS1012A**

Page Title: **07_ETHERNET PHYs**

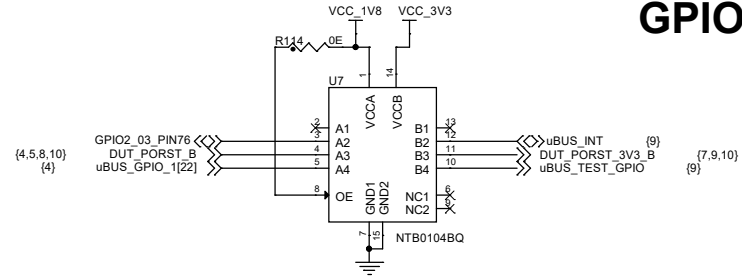
Size C Document Number SCH-30191 PDF: SPF-30191 Rev B

Date: Tuesday, June 18, 2024 Sheet 7 of 10

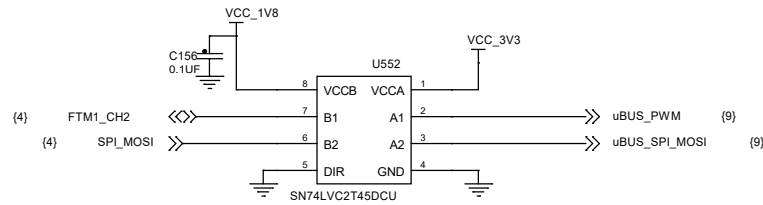
I2C TRANSATORS



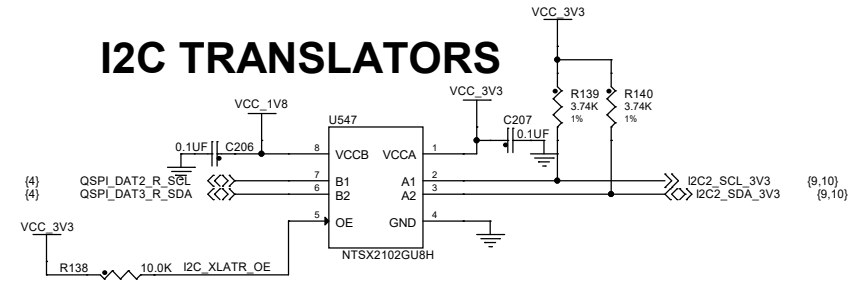
GPIOs



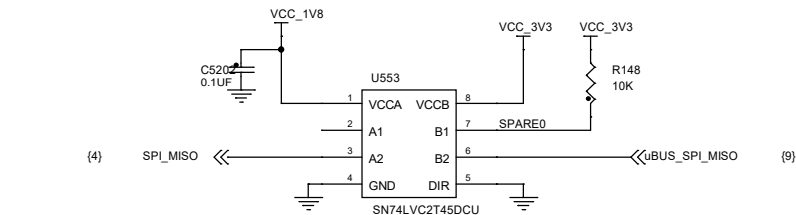
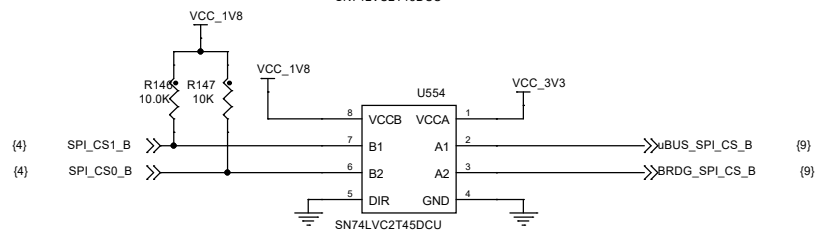
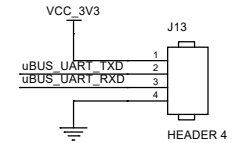
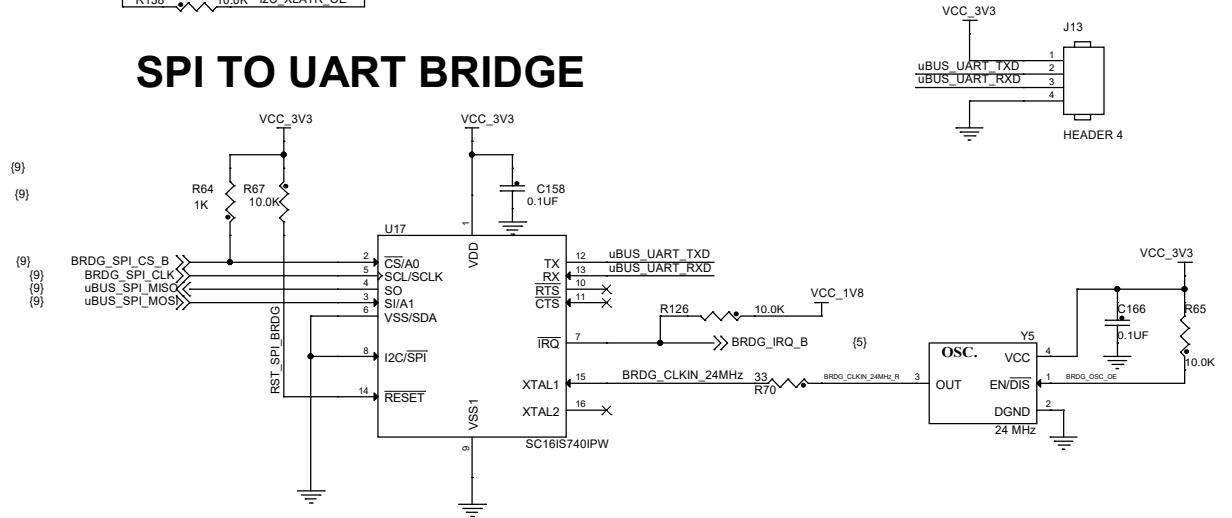
SPI TRANSATORS



I2C TRANSATORS



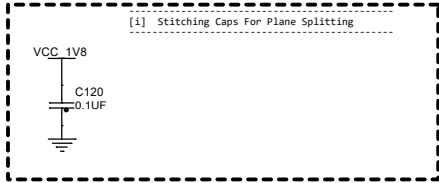
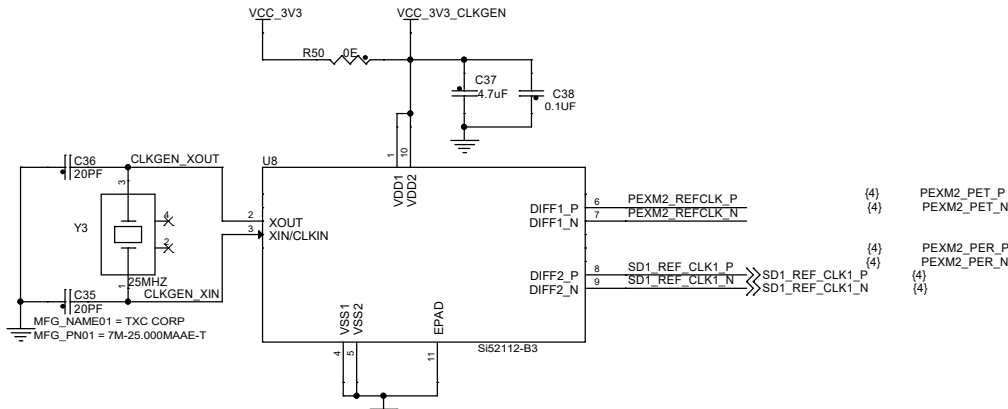
SPI TO UART BRIDGE



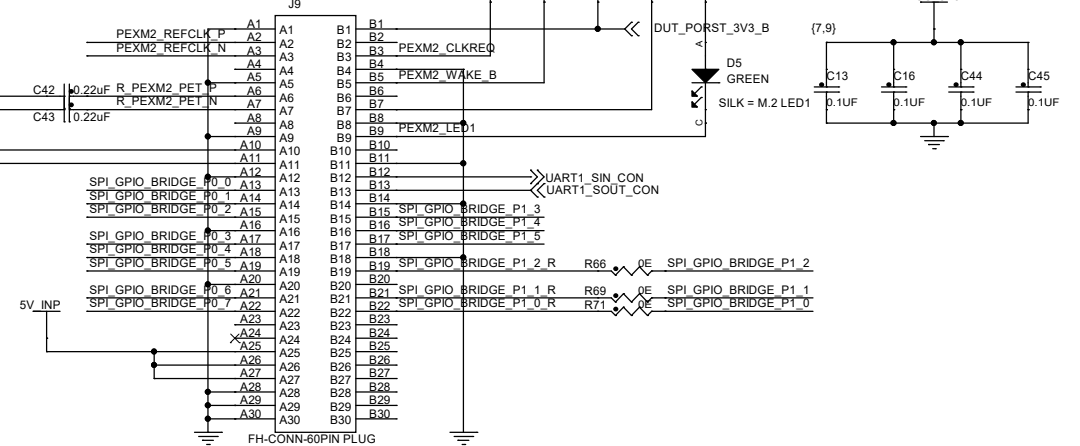
VAR1

ICAP Classification:		CP: X	IUO: PUBI: _____
Drawing Title:			
XFRWY-LS1012A			
Page Title:			
09_MIKROBUS CLICK & SPI BRIDGE			
Size A3	Document Number	SCH-30191 PDF: SPF-30191	Rev B
Date:	Tuesday, June 18, 2024	Sheet 9	of 10

PCIE CLK GEN

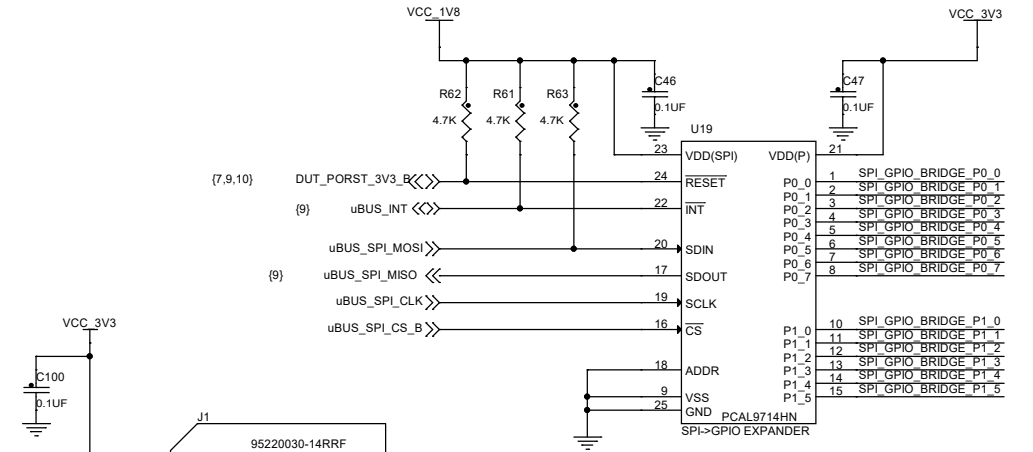
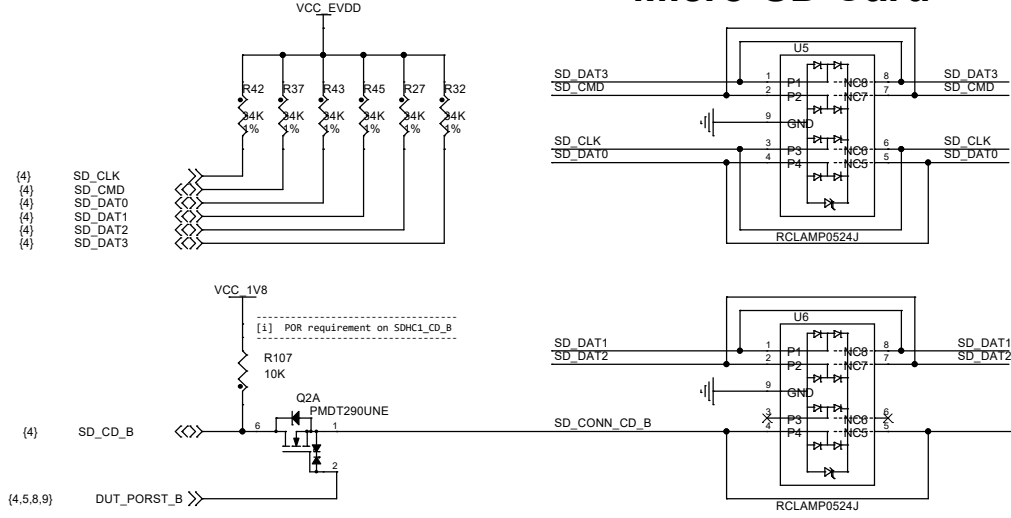


M.2 Type-E NGFF mini PCIe Slot



NOTE:
ONLY 2230 Size M.2 Type E modules shall be supported.

Micro-SD Card



NOTE:
SD card does not support Write Protect(WP) Feature.



ICAP Classification: CP: IUC: X PUBI:			
Drawing Title: XFRWY-LS1012A			
Page Title: mPCIE Slot & SD Card			
Size A3	Document Number	SCH-30191 PDF: SPF-30191	Rev B
Date:	Tuesday, June 18, 2024	Sheet 10	of 10