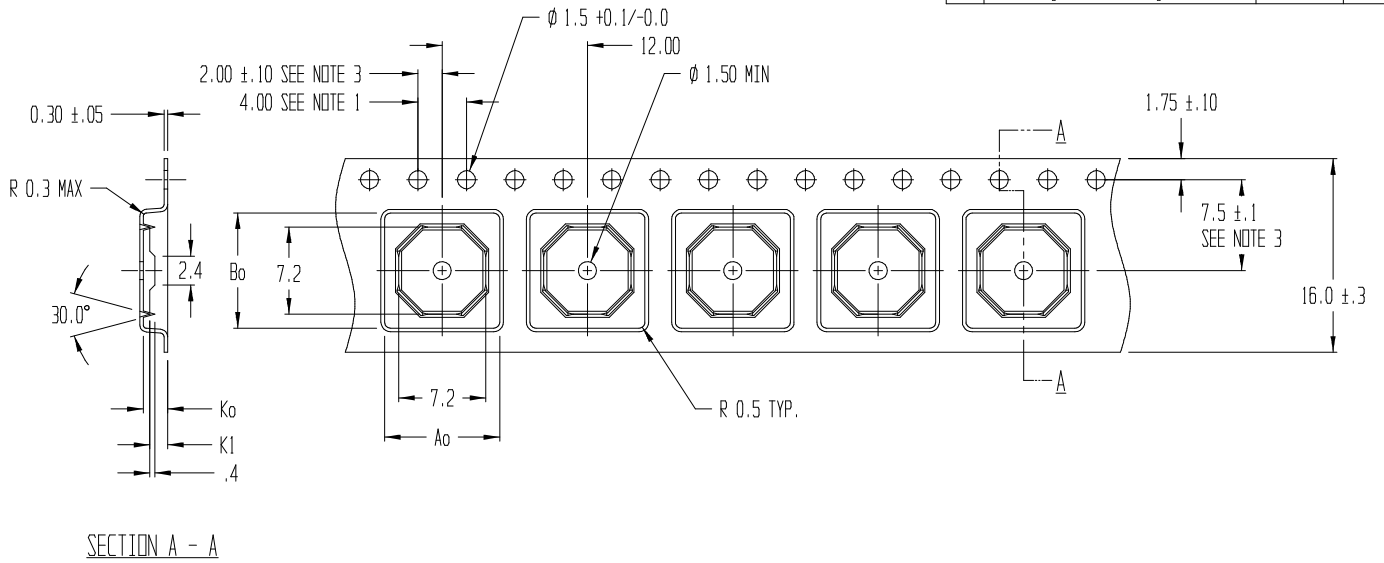


REVISIONS			
REV	DESCRIPTION	DATE	APPROVED
1	Drawing format change	1/10/03	BTH



VIEW APPLY TO P/N A113

Ao = 9.50
Bo = 9.50
Ko = 2.00
K1 = 1.45

- NOTES:
1. 10 SPROCKET HOLE PITCH CUMULATIVE TOLERANCE ± 0.2
 2. CAMBER IN COMPLIANCE WITH EIA 481
 3. POCKET POSITION RELATIVE TO SPROCKET HOLE MEASURED AS TRUE POSITION OF POCKET, NOT POCKET HOLE

ADVANTEK			
TITLE ADVANTEK PART DRAWING NUMBER 007X07-R CARRIER TAPE			
TOLERANCES - UNLESS NOTED 1PL ± 0.2 2PL ± 0.10	MATERIAL PS+C		DWG SIZE B
ALL DIMENSIONS IN MILLIMETERS	DATE 11/05/98	SCALE 3:1	SHEET 1 OF 1
DRAWN BY TMD/BTH	REFERENCE NO. T-8116	DWG NO. T101808AT	REV 1