

Contents

[1] Contents

[2] CPU

[3] Ethernet, Power

[4] Memories

[5] USB, ULPI, UART, CAN

[6] Debug, SD-Card, Media-IF, Jennic ZigBee Module

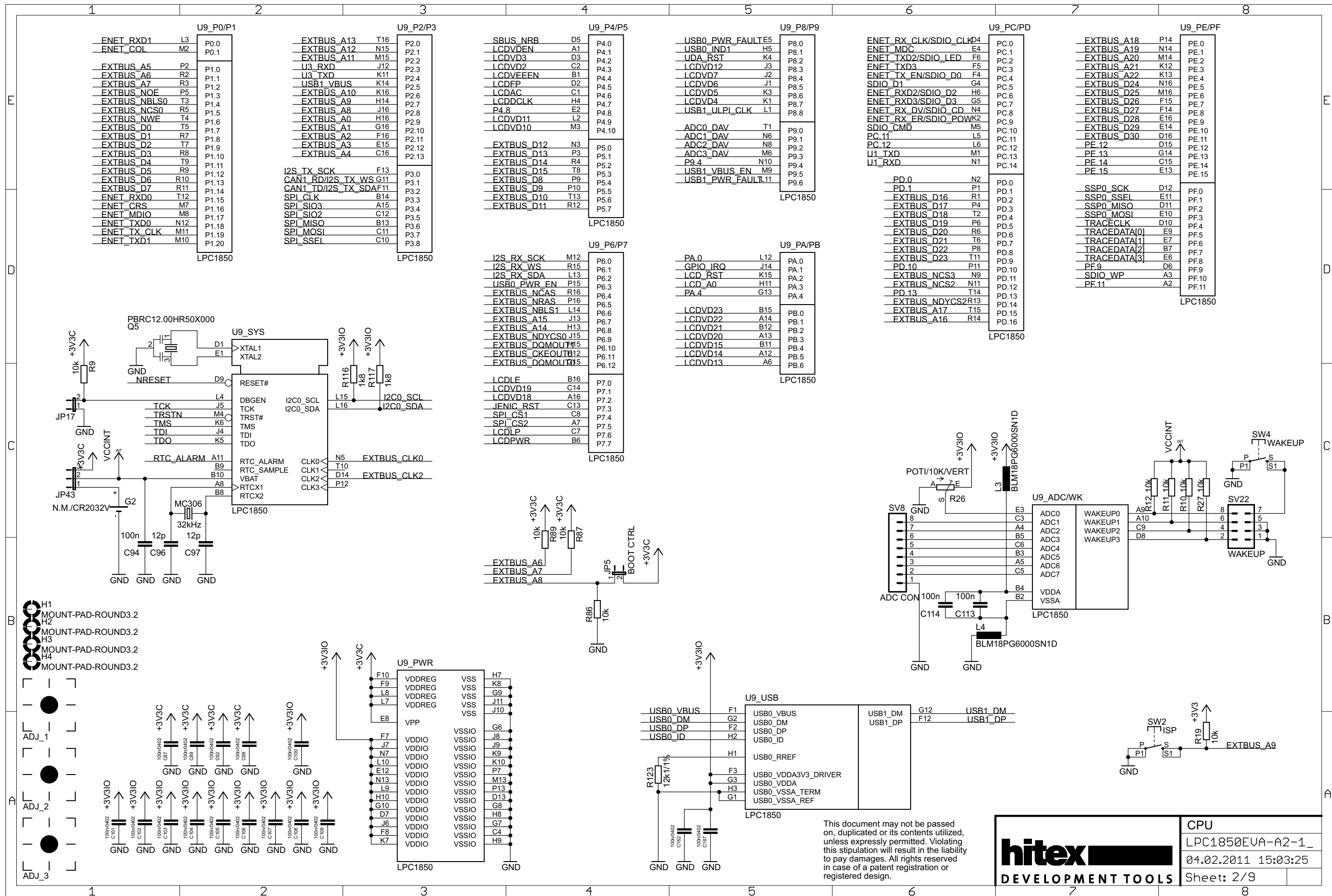
[7] LCD, LEds, Push-Buttons

[8] Audio

[9] Fast ADCs

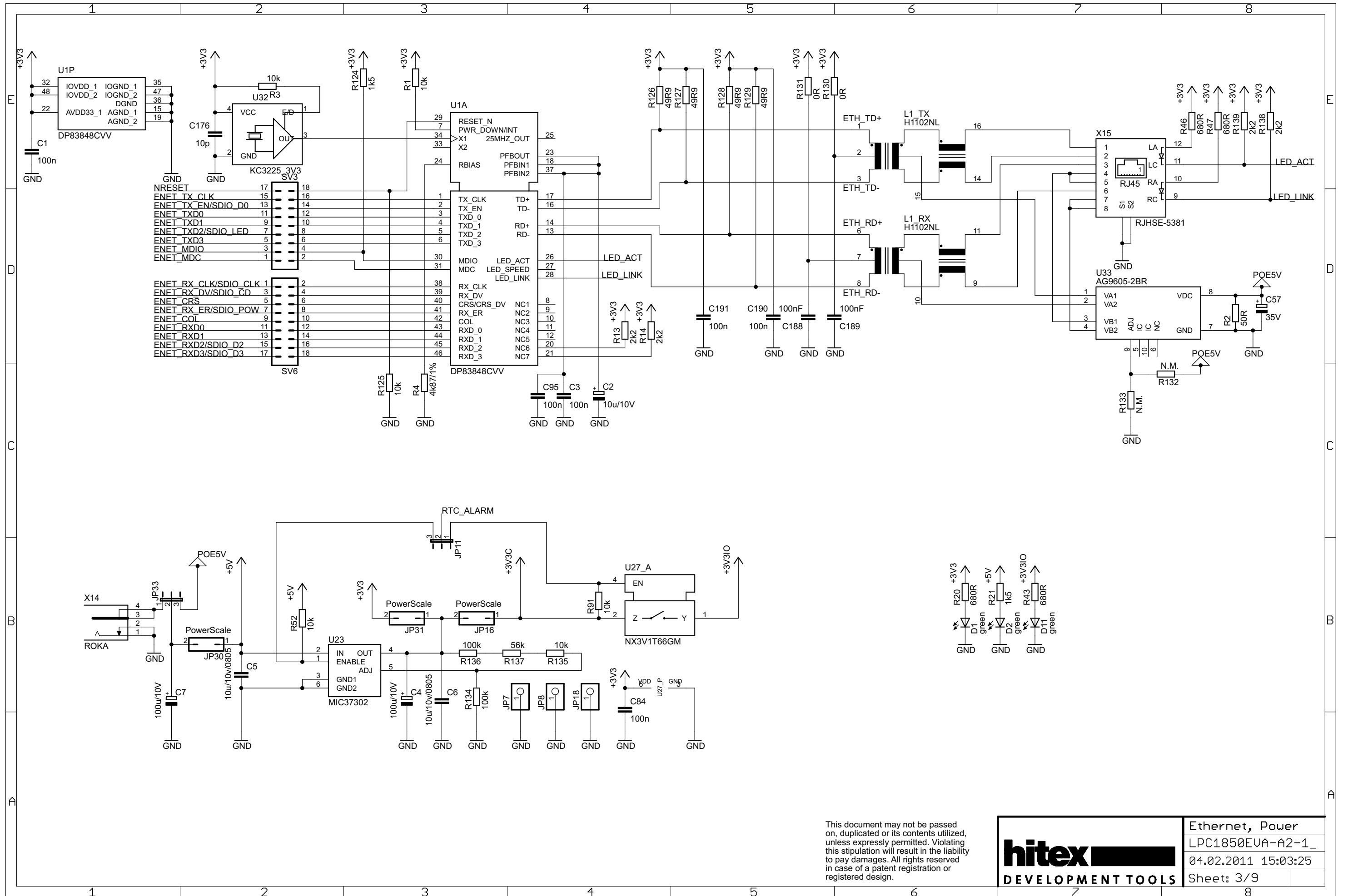
This document may not be passed on, duplicated or its contents utilized, unless expressly permitted. Violating this stipulation will result in the liability to pay damages. All rights reserved in case of a patent registration or registered design.

hitex DEVELOPMENT TOOLS	CPU
	LPC1850EVA-A2-1_
	04.02.2011 15:03:25
Sheet: 1/9	

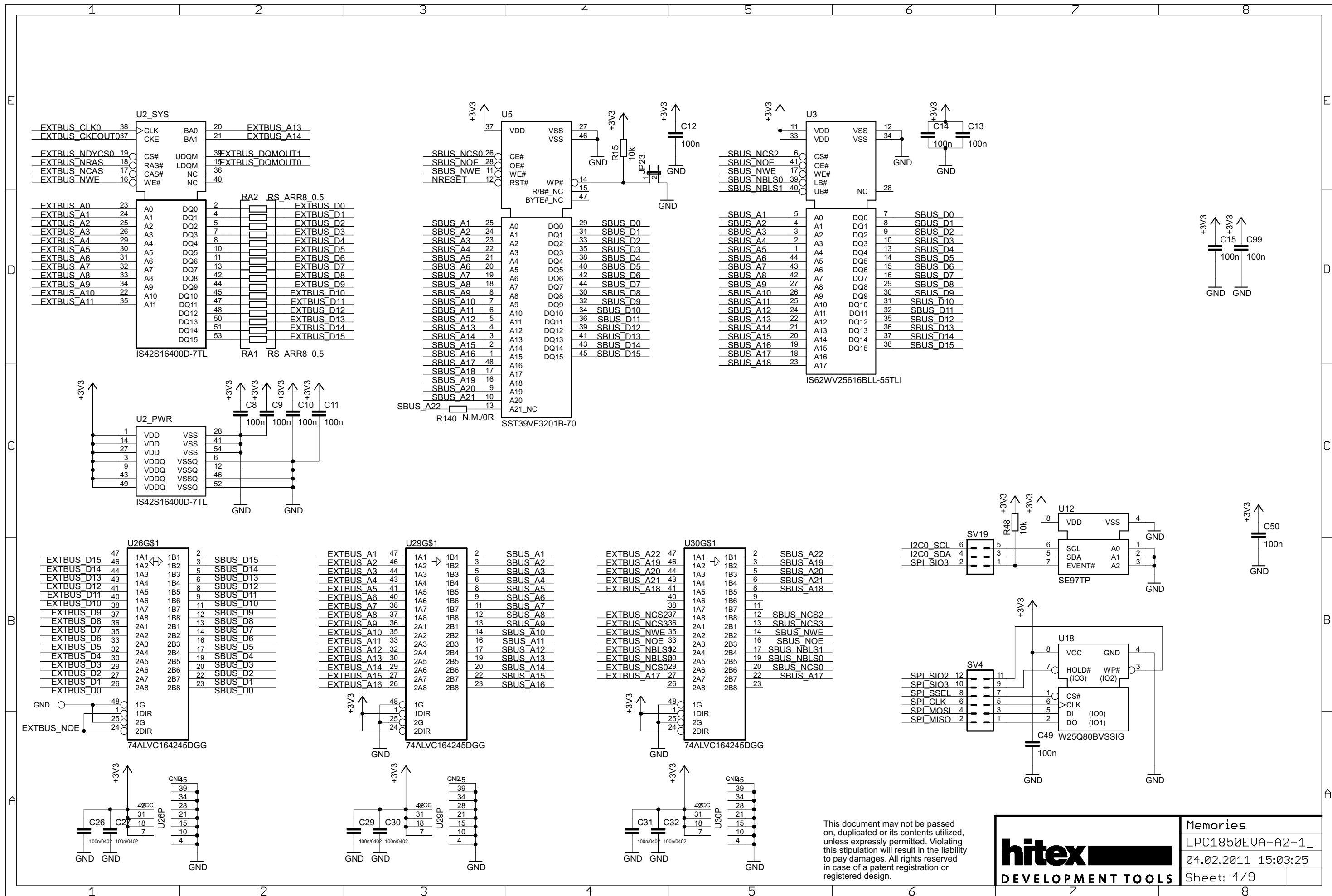


This document may not be passed on, duplicated or its contents utilized, unless expressly permitted. Violating this stipulation will result in the liability to pay damages. All rights reserved in case of a patent registration or registered design.

 hitex DEVELOPMENT TOOLS	CPU
	LPC1850EVA-A2-1_
	04.02.2011 15:03:25
Sheet: 2/9	

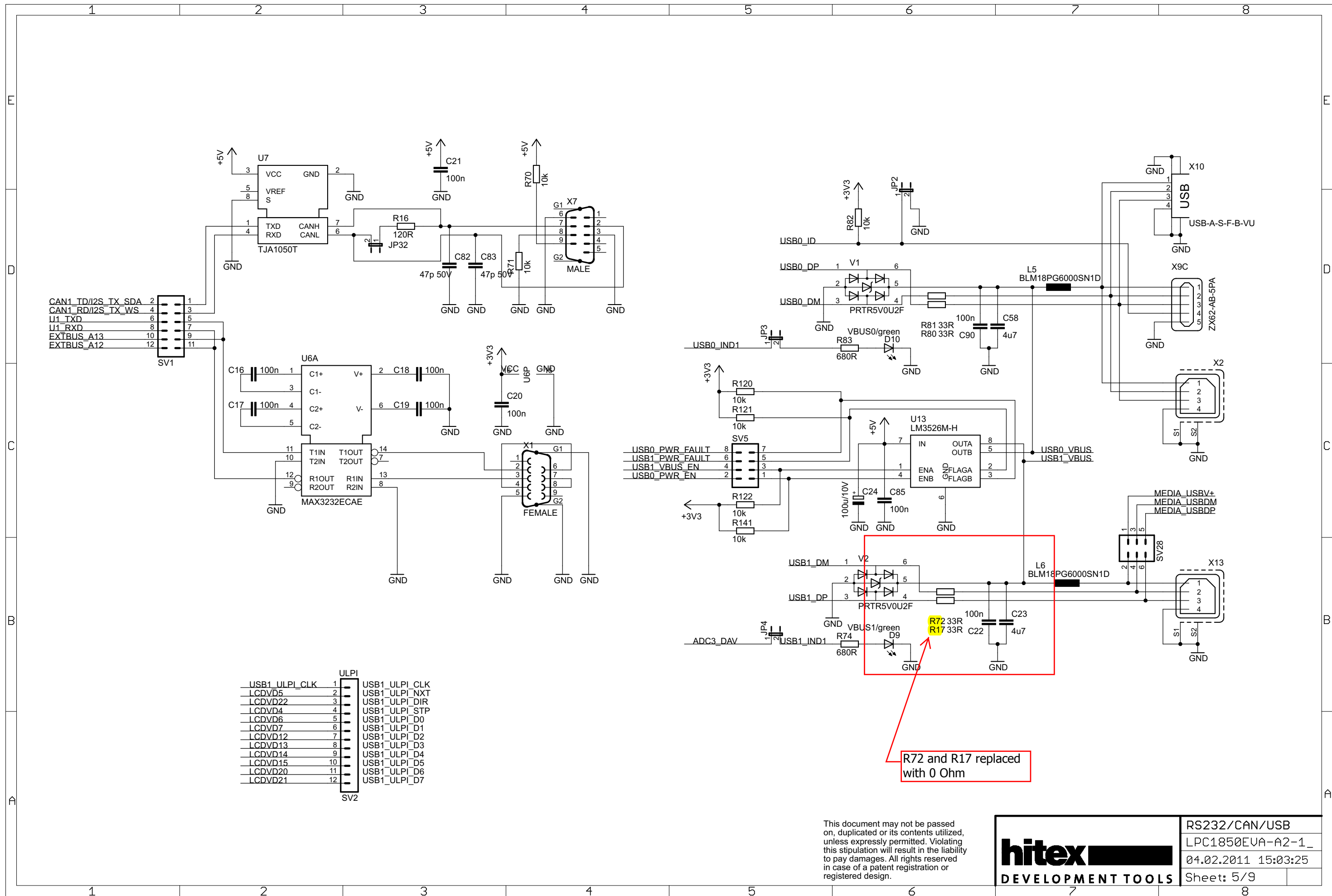


This document may not be passed on, duplicated or its contents utilized, unless expressly permitted. Violating this stipulation will result in the liability to pay damages. All rights reserved in case of a patent registration or registered design.



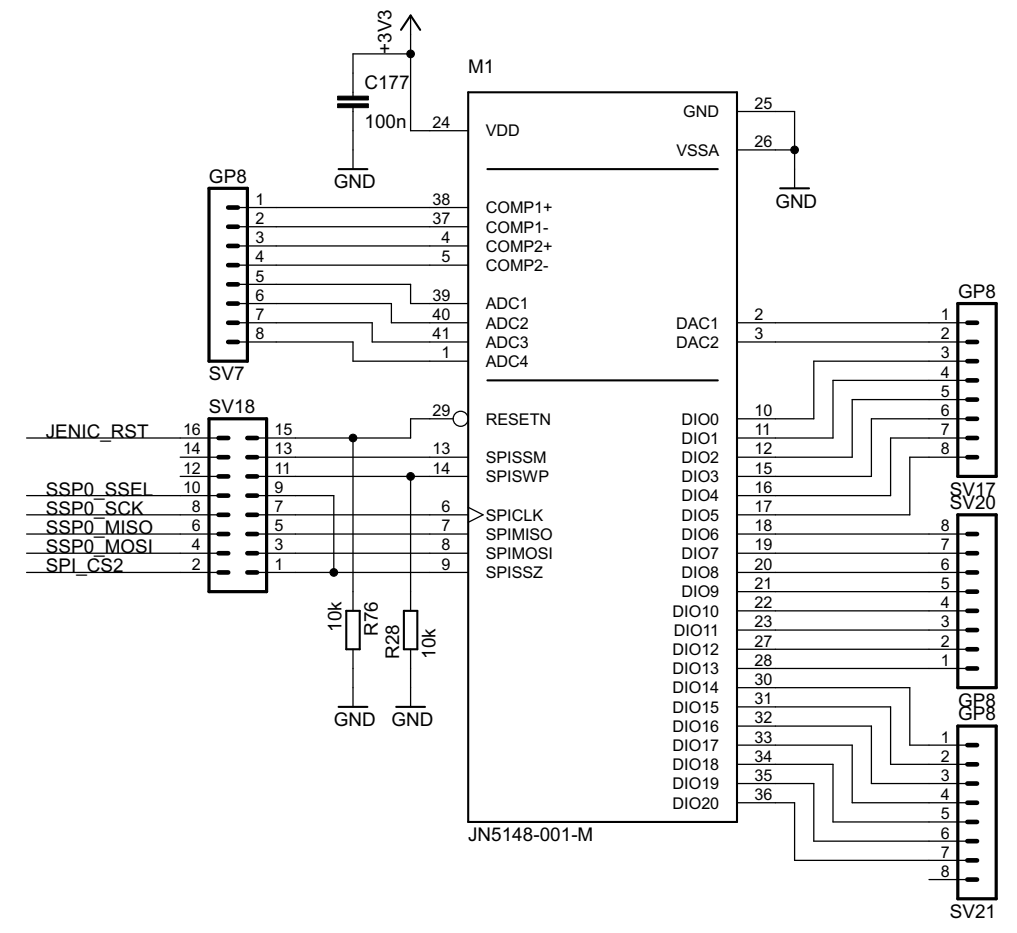
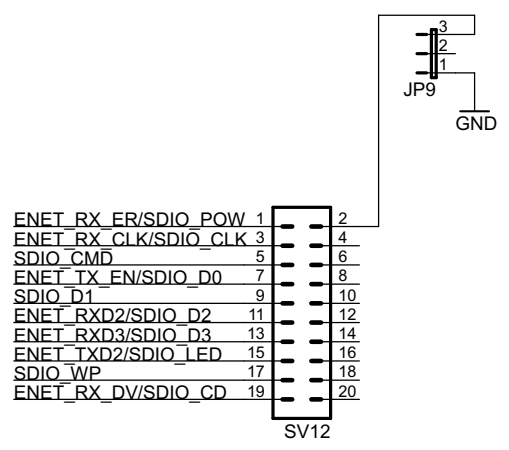
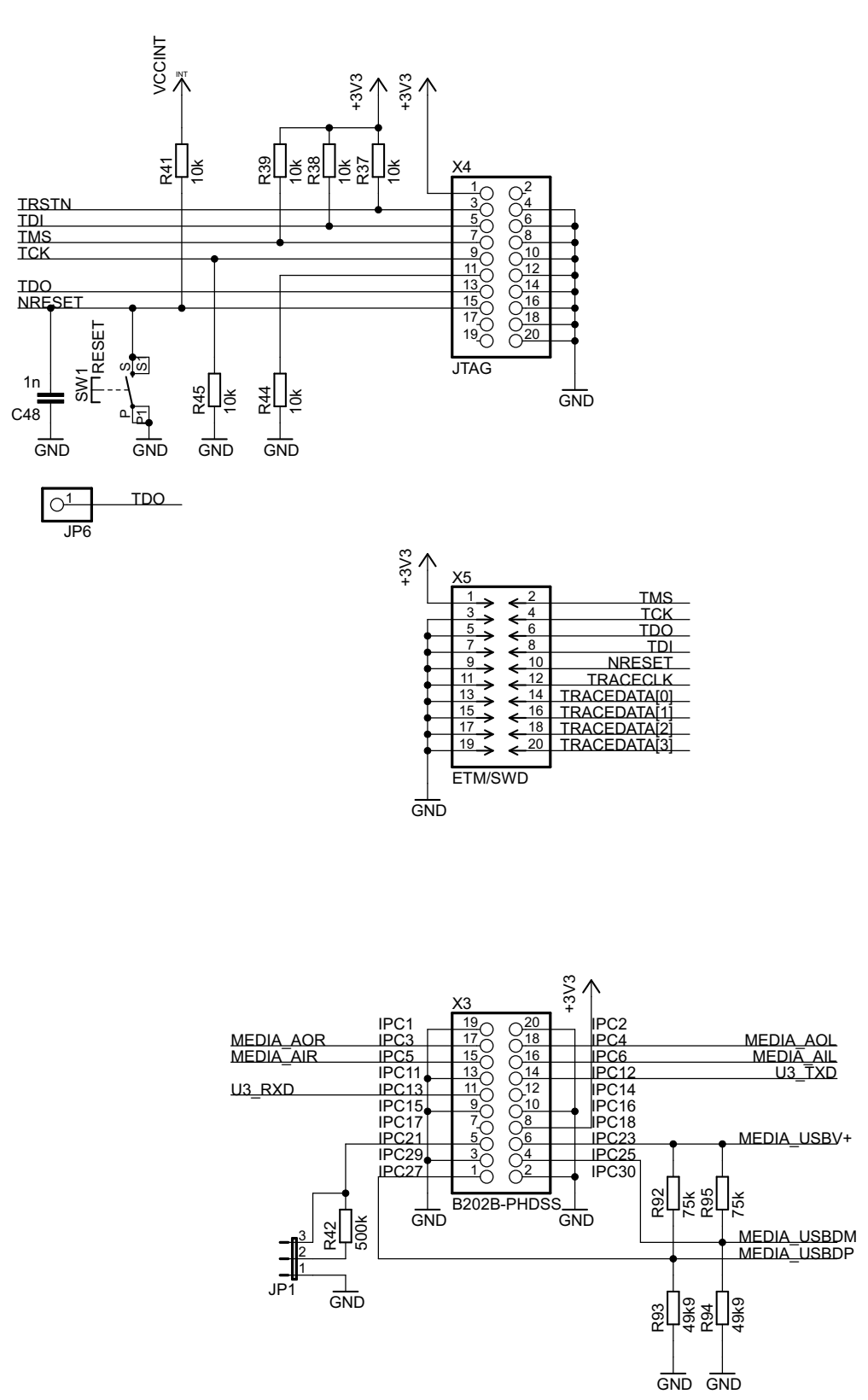
This document may not be passed on, duplicated or its contents utilized, unless expressly permitted. Violating this stipulation will result in the liability to pay damages. All rights reserved in case of a patent registration or registered design.

 DEVELOPMENT TOOLS	Memories
	LPC1850EVA-A2-1_
	04.02.2011 15:03:25
Sheet: 4/9	

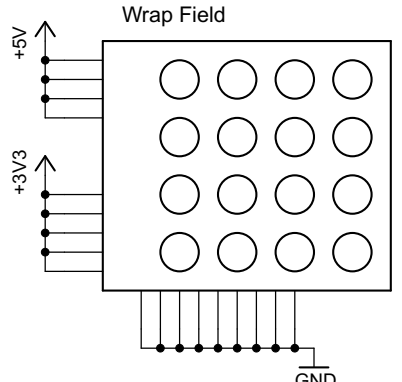
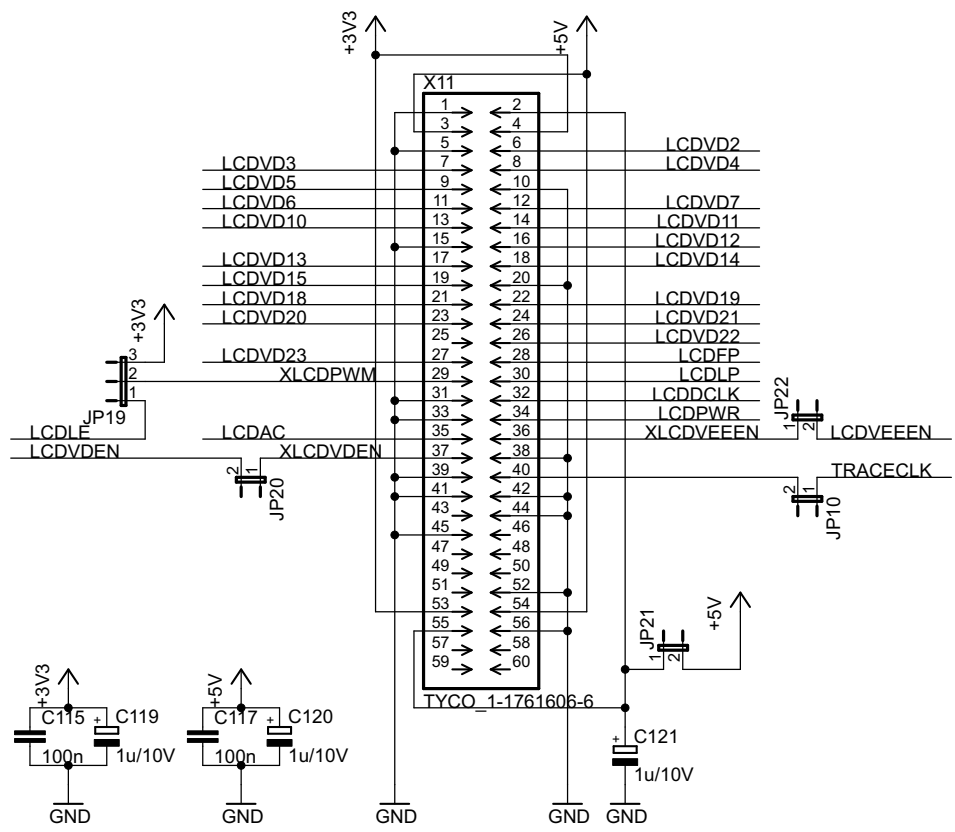
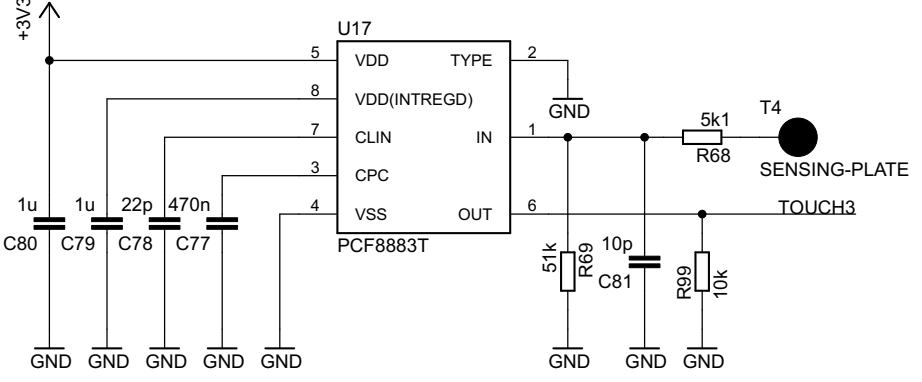
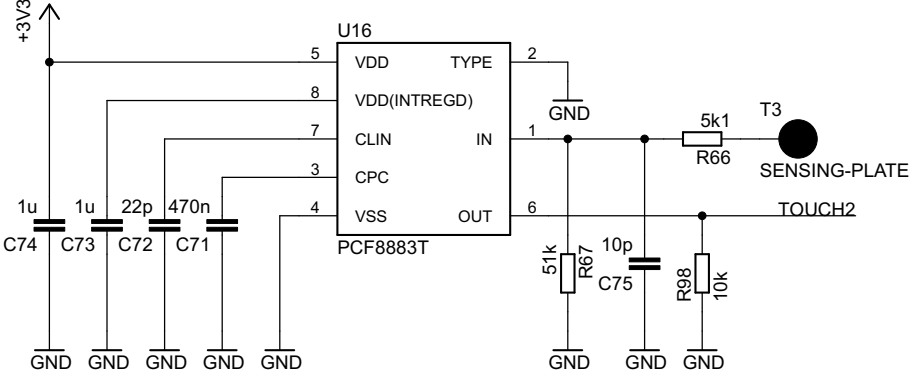
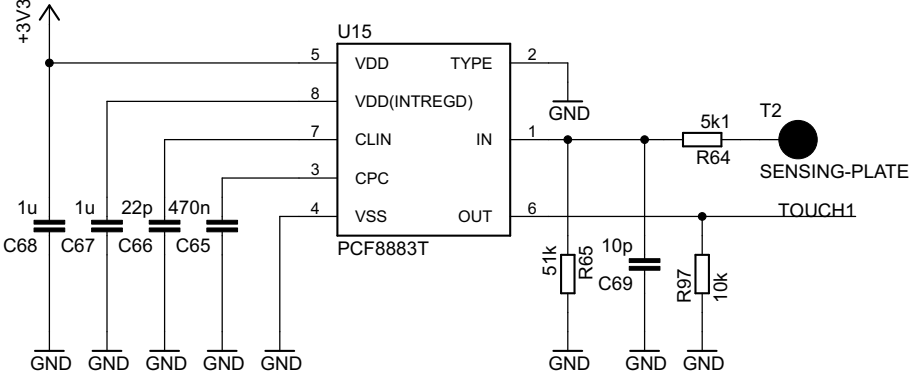
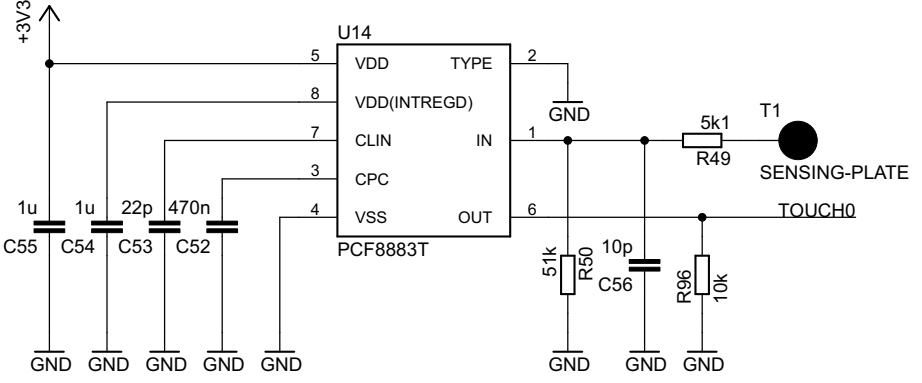
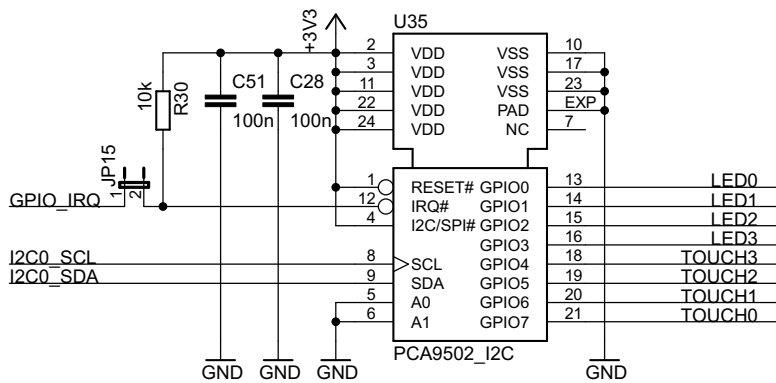
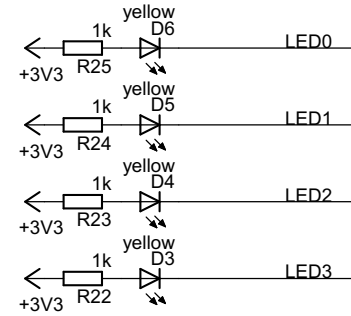
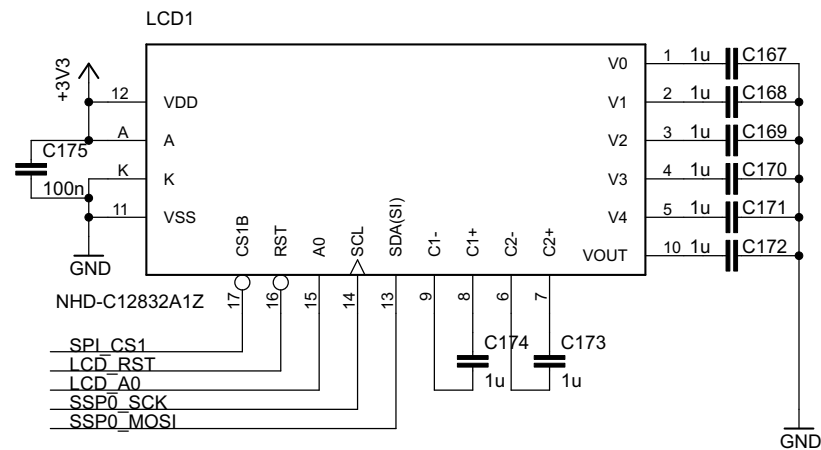


R72 and R17 replaced with 0 Ohm

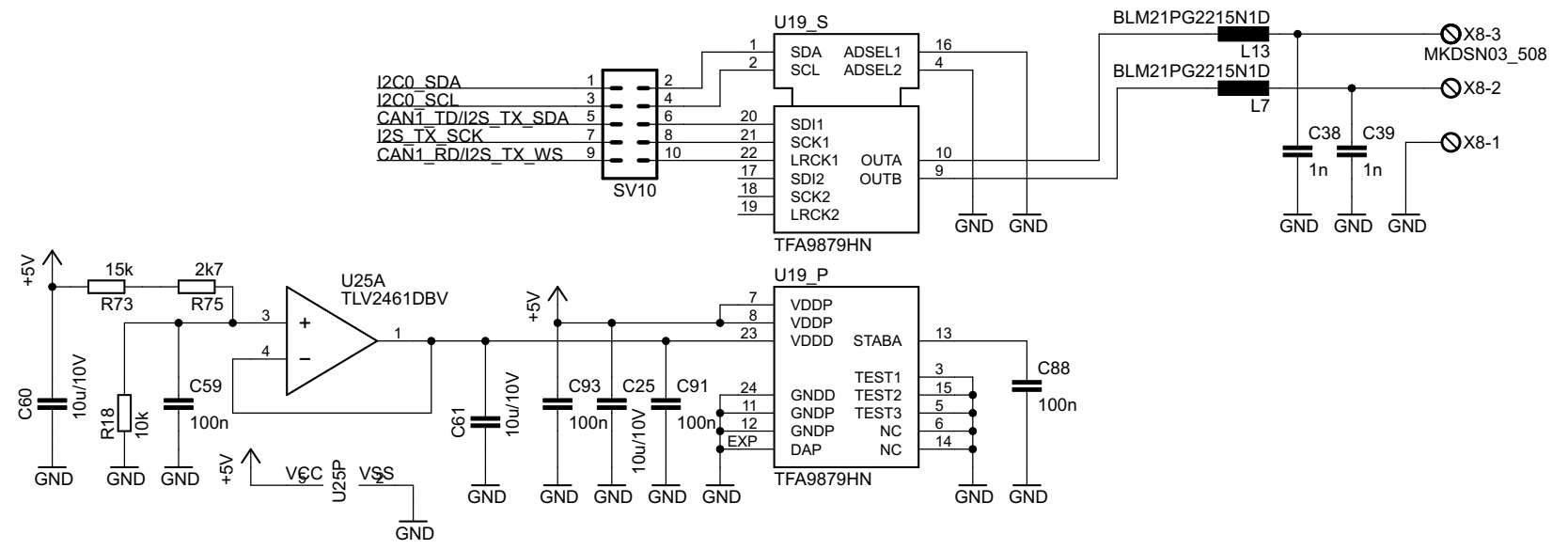
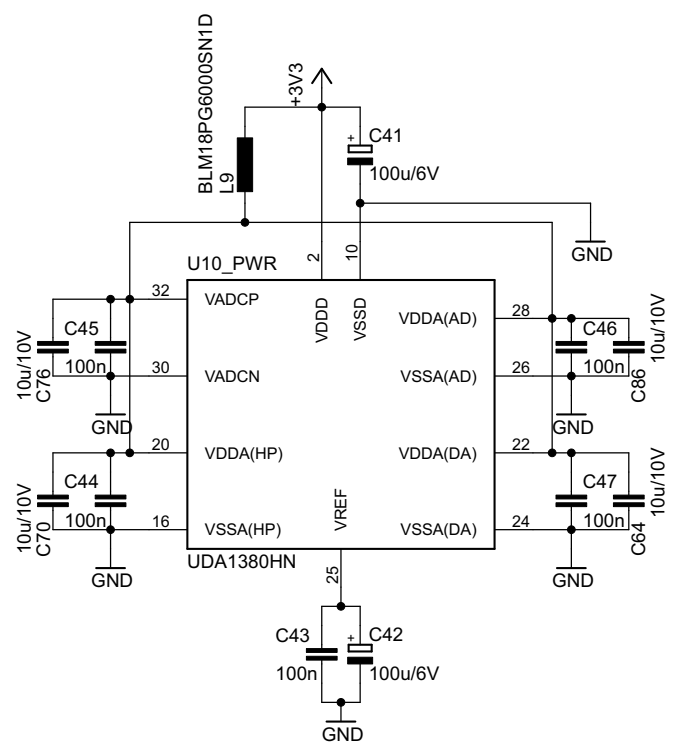
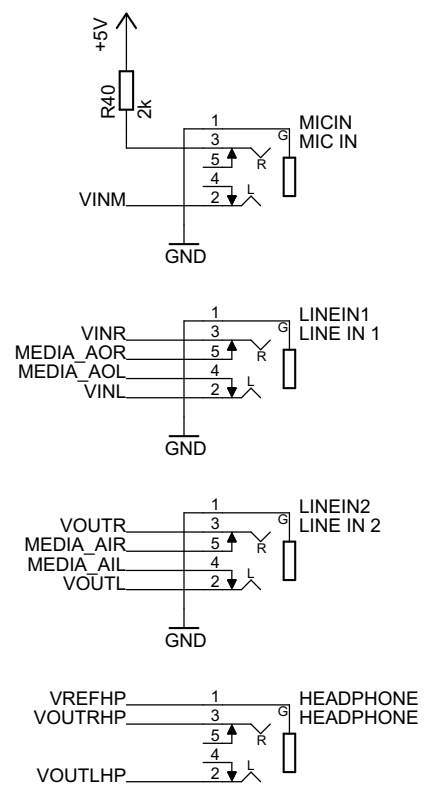
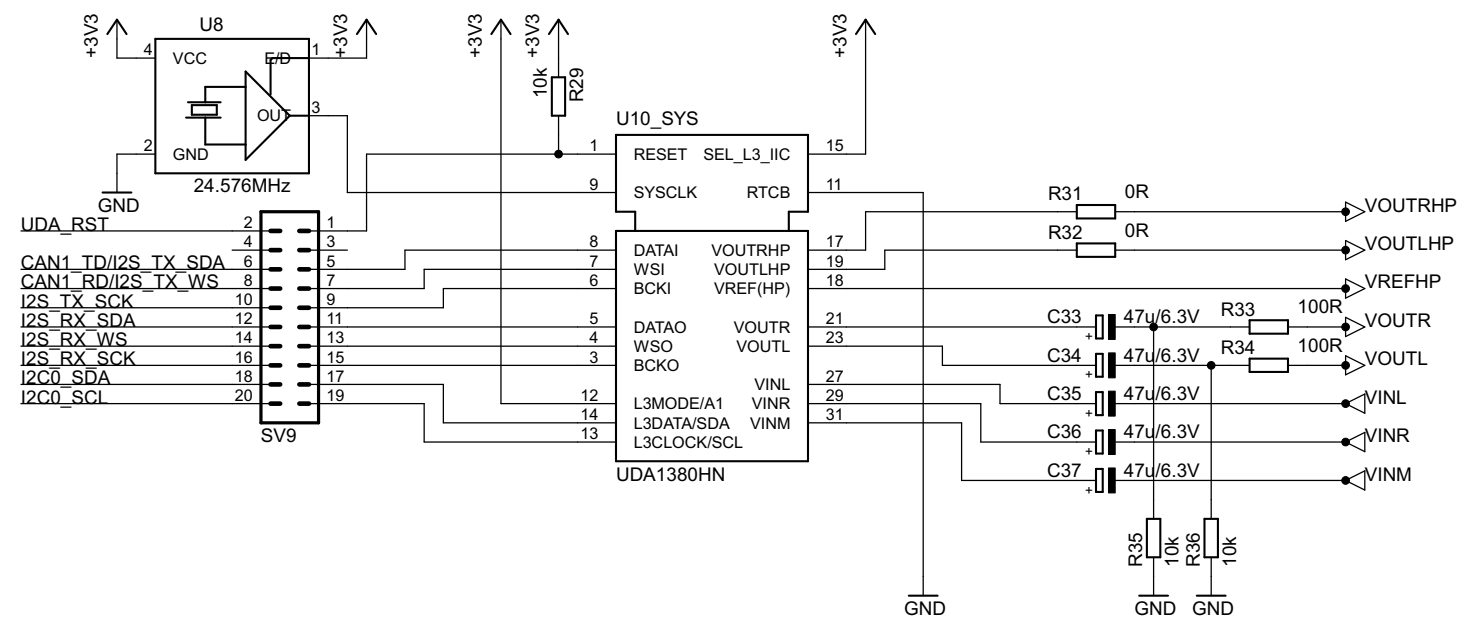
This document may not be passed on, duplicated or its contents utilized, unless expressly permitted. Violating this stipulation will result in the liability to pay damages. All rights reserved in case of a patent registration or registered design.



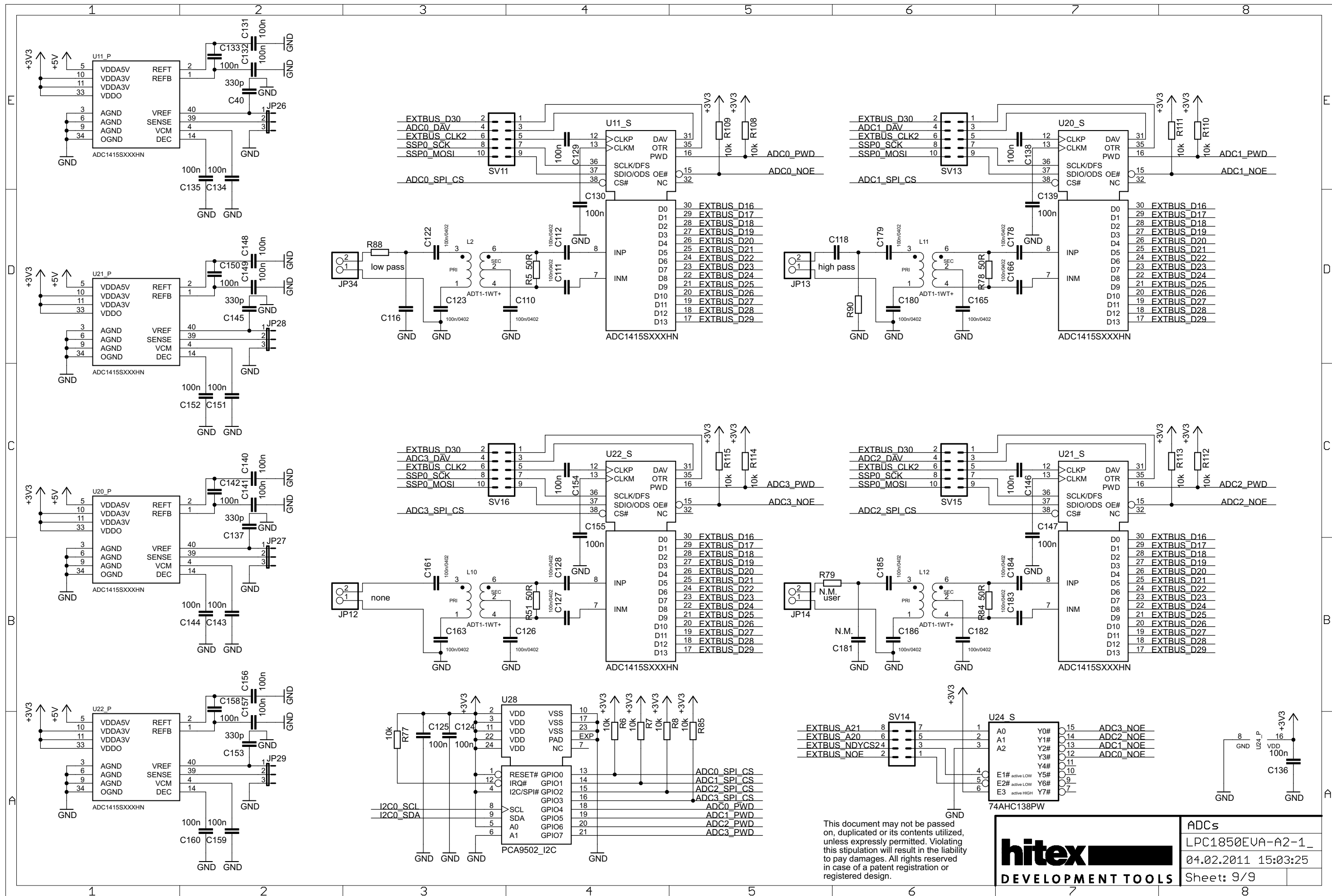
This document may not be passed on, duplicated or its contents utilized, unless expressly permitted. Violating this stipulation will result in the liability to pay damages. All rights reserved in case of a patent registration or registered design.



This document may not be passed on, duplicated or its contents utilized, unless expressly permitted. Violating this stipulation will result in the liability to pay damages. All rights reserved in case of a patent registration or registered design.



This document may not be passed on, duplicated or its contents utilized, unless expressly permitted. Violating this stipulation will result in the liability to pay damages. All rights reserved in case of a patent registration or registered design.



This document may not be passed on, duplicated or its contents utilized, unless expressly permitted. Violating this stipulation will result in the liability to pay damages. All rights reserved in case of a patent registration or registered design.

 DEVELOPMENT TOOLS	ADCs
	LPC1850EVA-A2-1_
	04.02.2011 15:03:25
Sheet: 9/9	