

Page 2

LPC3154 Powering and Unused parts

Page 3

LPC3154 Digital I/O

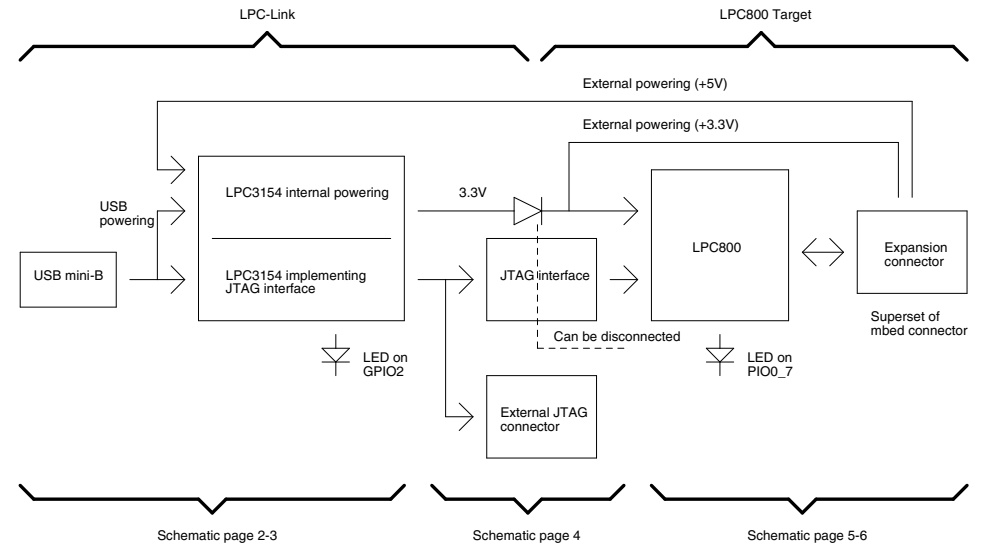
Page 4

JTAG Interface

Page 5

LPC800 with Expansion connector

Design Overview



UL = UnLoaded = normally not mounted component.

Default jumper settings are indicated in the schematic.
However, always check jumper positions on actual boards
since there is no guarantee that all jumpers are in default place.



© Embedded Artists AB

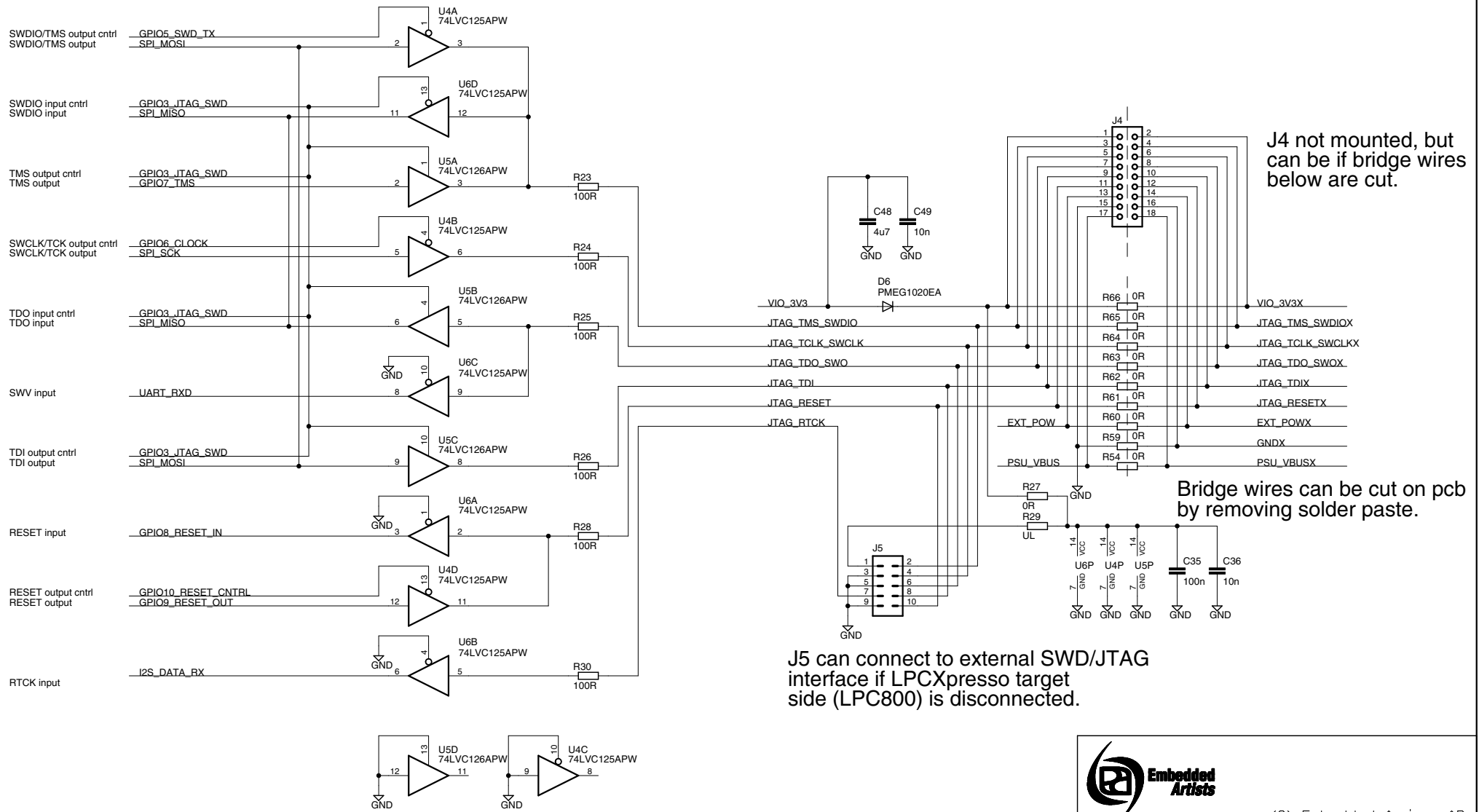
TITLE: LPCXpresso LPC800 rev A

Document Number:

Date: 2012-10-26 11:33:31

Sheet: 1/5

SWD/JTAG Interface



J4 not mounted, but can be if bridge wires below are cut.

Bridge wires can be cut on pcb by removing solder paste.

J5 can connect to external SWD/JTAG interface if LPCXpresso target side (LPC800) is disconnected.



(C) Embedded Artists AB

TITLE: LPCXpresso LPC800 rev A

Document Number:

Date: 2012-10-26 11:33:31

Sheet: 4/5

