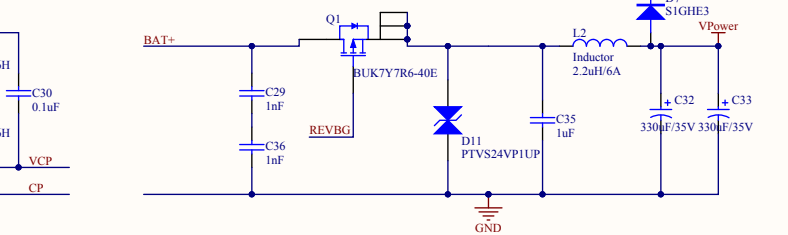
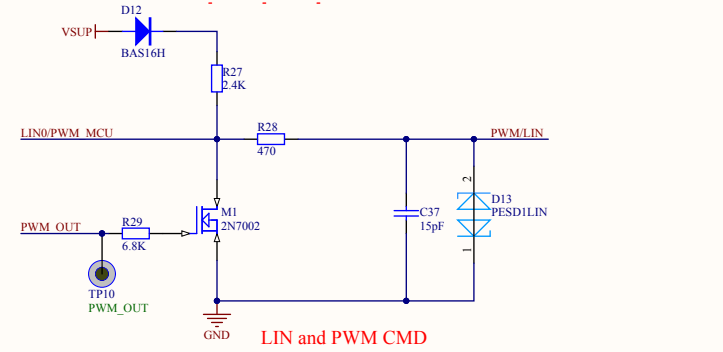


2.5V Reference

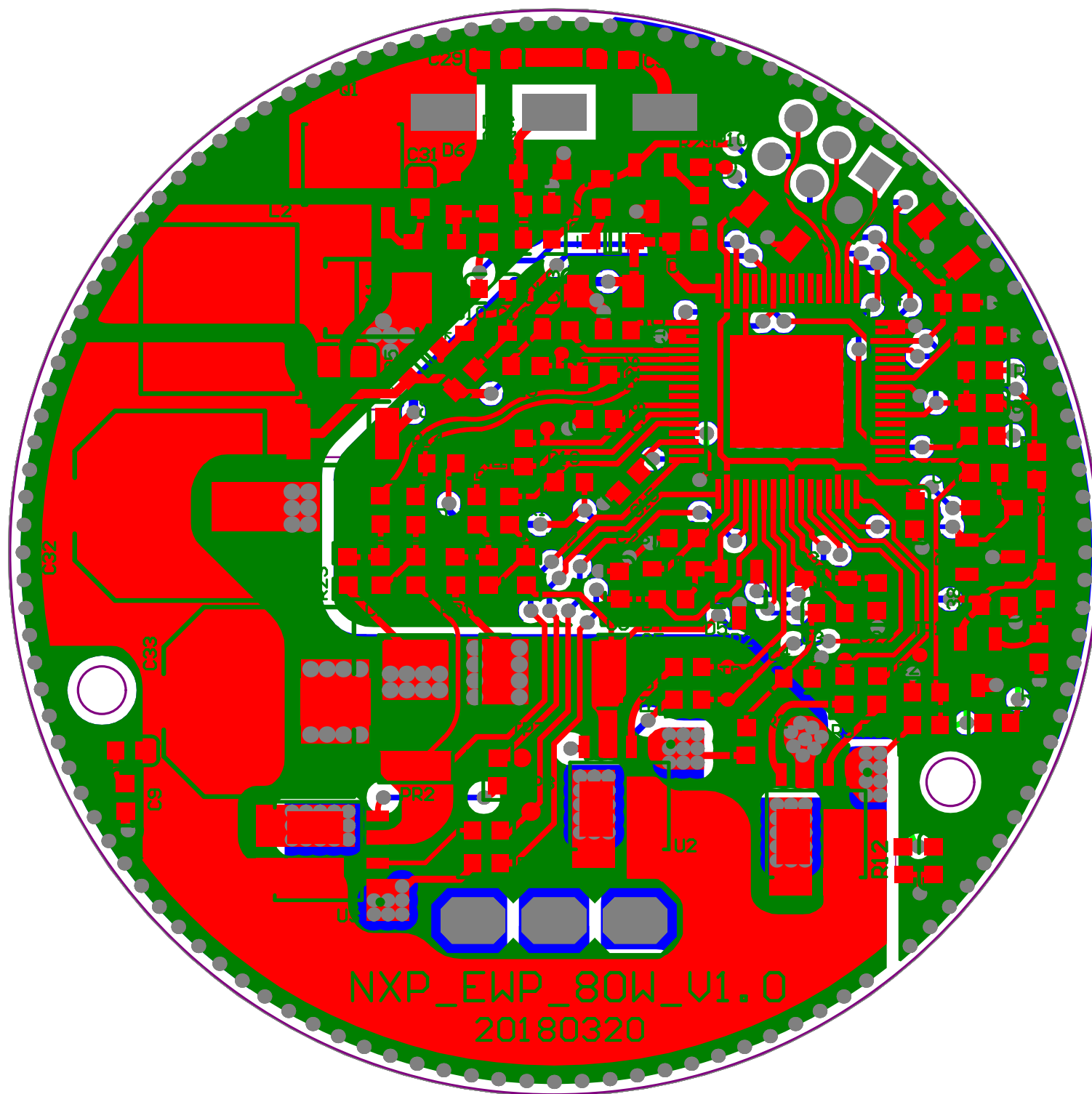


Temperature monitor



LIN and PWM CMD

Title		
Size	Number	Revision
A3		
Date:	2018/11/29	Sheet of
File:	E:\1_NXP_FSL_Working\US12ZVM-EW_Power_SchDoc	



NXP\_EWP\_80W\_V1.0  
20180320

Comment	Description	Designator	Footprint	LibRef	Quantity
0.22uF	Capacitor_0.22uF/50V+-10%_0603	C1, C3, C5, C8, C9, C10, C12, C14, C15, C16, C22, C24, C25, C26, C38	LC-0603_C	CAP	15
2.2nF	Capacitor_2.2nF/50V+-10%_0603	C2, C4, C6	LC-0603_C	CAP	3
0.1uF	Capacitor_0.1uF/50V+-10%_0603	C7, C30	LC-0603_C	CAP	2
10uF	Capacitor_10uF/50V+-10%_1206	C11, C21, C23	LC-1206_C	CAP	3
10nF	Capacitor_10nF/50V+-10%_0603	C13, C31	LC-0603_C	CAP	2
470pF	Capacitor_10nF/50V+-10%_0603, Capacitor_470pF/16V+-10%_0603	C17, C19	LC-0603_C	CAP	2
220pF	Capacitor_470pF/16V+-10%_0603	C18, C20	LC-0603_C	CAP	2
1nF	Capacitor_1000pF/50V+-10%_0603, Capacitor_1nF/50V+-10%_0603, Capacitor_1nF/50V+-10%_0603	C27, C29, C36	LC-0603_C	CAP	3
0.022uF	Capacitor_0.022uF/50V+-10%_0603	C28	LC-0603_C	CAP	1
330uF/35V	Capacitor_330uF/35V	C32, C33	AEC_D10	CAP_ELEC	2
1uF	Capacitor_1uF/50V+-10%_0805	C35	LC-0805_C	CAP	1
15pF	Capacitor_15pF/50V+-10%_0603	C37	LC-0603_C	CAP	1
GSOT24C	TVS_GSOT24C	D1, D5	LC-SOT-23(SOT-23-3)	GSOT24C	2
BAS16H	Diode_BAS16H_Footprint(SOD_323)	D2, D3, D4, D6, D8, D9, D10, D12	LC-SOD-323	DIODE	8
S1GHE3	Diode_S1GHE3_Footprint(DO_214)	D7	LC-DO-213AB	DIODE	1
PTVS24VP1UP	TVS_SMBJ24A	D11	LC-SMB(DO-214AA)_S1	SMB/DO-214AA P6SMB6.8CA	1
PESD1LIN	PESD1LIN	D13	LC-SOD-323	LIN_P	1
MHDR2X3	Header, 3-Pin, Dual row	H1	HDR2X3	MHDR2X3	1
FB_120R	FB_100R	L1	LC-0603_L	Inductor	1
Inductor	Inductor_2.2uH/15A	L2	SRP8040	Inductor	1
2N7002	2N7002	M1	LC-SOT-23(SOT-23-3)	MOSFET N	1
0.01/2W/1%	Resistor_0.01/2W+-1%_2512	PR1, PR2	LC-2512_R	RES1	2
BUK7Y7R6-40E	MOS_BUK7Y7R6-40E	Q1	LFPAK56	AO4407A	1
10R	Resistor_10R+-5%_0603	R1, R2, R3, R5, R6, R7, R9, R10, R11	LC-0603_R	Res2	9
10K	Resistor_10K+-1%_0603, Resistor_10K+-1%_0603, Resistor_6.2k+-1%_0603	R4, R8, R30	LC-0603_R	Res2	3
NTCS0603E3103FMT	NTCS0603E3104FXT	R12	LC-0603	RES3	1
40K	Resistor_6.2k+-1%_0603	R13, R14, R25, R26	LC-0603_R	RES2	4
1K	Resistor_6.2k+-1%_0603, Resistor_330+-1%_0603, Resistor_330+-1%_0603, Resistor_330+-1%_0603, Resistor_330+-1%_0603	R15, R17, R19, R21, R23	LC-0603_R	RES2	5
0R	Resistor_6.2k+-1%_0603	R16	LC-0603_R	RES2	1
2.2K	Resistor_100+-1%_0603	R18, R20, R22, R24	LC-0603_R	RES2	4
2.4K	Resistor_2.4K+-5%_0603	R27	LC-0603_R	Res2	1
470	Resistor_470+-5%_0603	R28	LC-0603_R	Res2	1
6.8K	Resistor_6.8K+-5%_0603	R29	LC-0603_R	Res2	1
TP	TESTPOINT	TP1, TP2, TP3, TP5, TP6, TP7, TP8, TP9	TP32	TP	8
PWM_OUT	Pad	TP10	TP_0.8	CN	1
LFPAK56D		U1, U2, U3	BUK7K5R1-30E	LFPAK56D	3
S912ZVML64	IC_S912ZVML31	U4	F-QFP10X10-G64/N-PAD	S12ZVM	1
TL431AMFDT		U5	LC-SOT-23(SOT-23-3)	LM4041DIDBZTG4	1