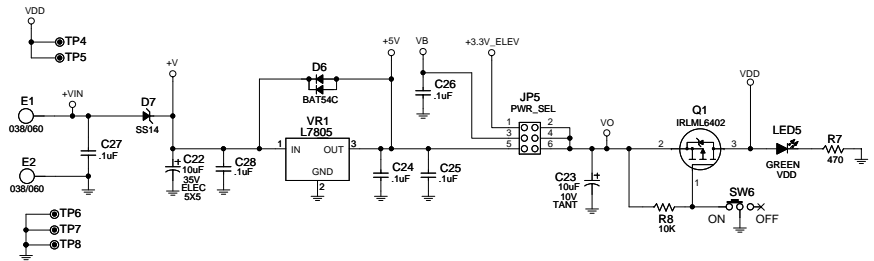
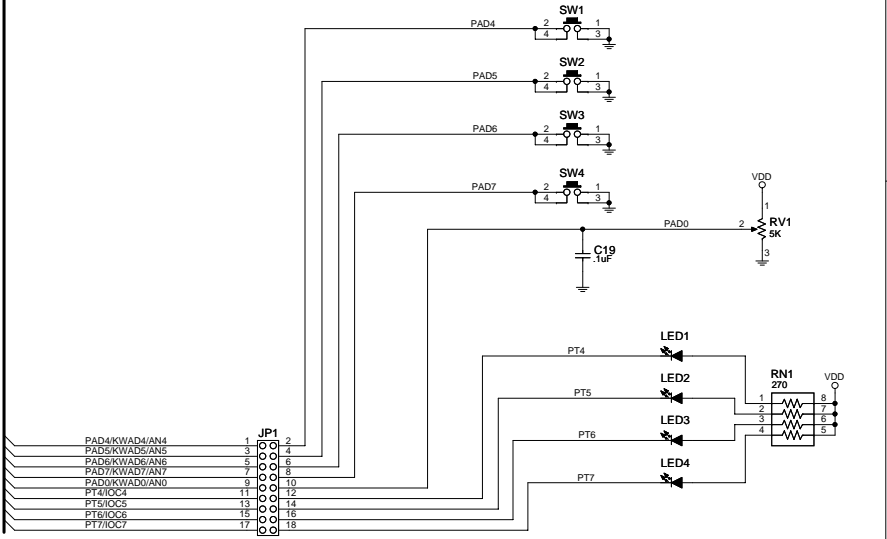
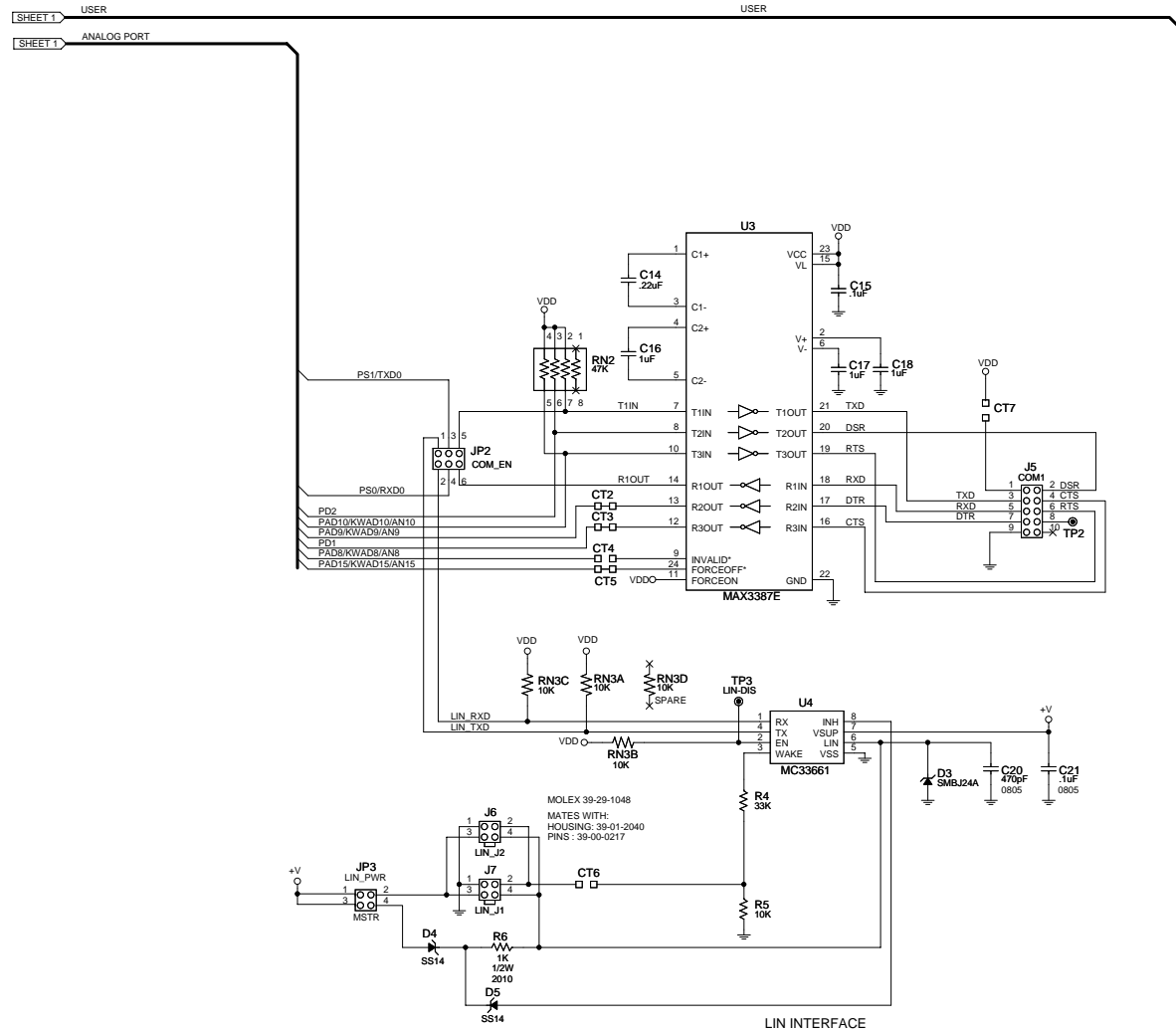


NOTES:  
 1. ALL RESISTORS/CAPS ARE 0603 UNLESS OTHERWISE SPECIFIED.  
 2. ALL TANTALUM CAPS ARE SMA.

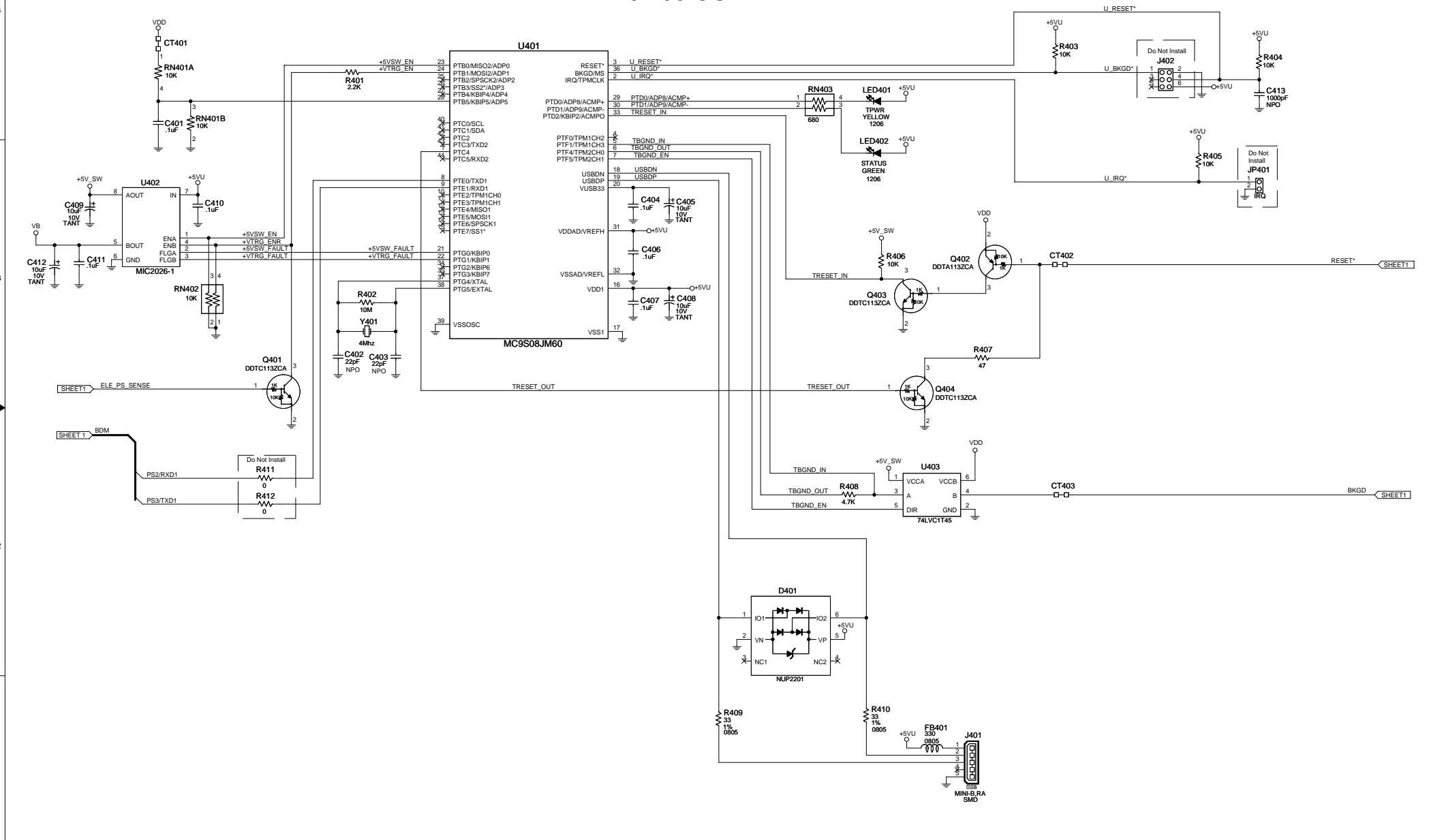
		<b>TWR-S12G128</b>	
Approvals Drawn: GLG Checked: DSR Finish:	Date: 050710 111609	File: TWR-S12G128	Rev: B
Document Number: DOC-0508-030		Date: Tuesday, May 25, 2010	



NOTES:  
 1. ALL RESISTORS/CAPS ARE 0603 UNLESS OTHERWISE SPECIFIED.  
 2. ALL TANTALUM CAPS ARE SMA.

Approvals	Date
Drawn GLG	050710
Checked DSR	111609
Finish	
File TWR-S12G128	
Size C	Document Number DOC-0508-030
Date: Friday, May 14, 2010	Rev B
Sheet 2 of 3	

# JM60 OSBDM



NOTES:  
 1. ALL RESISTORS/CAPS ARE 0603 UNLESS OTHERWISE SPECIFIED.  
 2. ALL TANTALUM CAPS ARE SMA.

		Title	
		TWR-S12G128	
Drawn	GLG	Date	050710
Checked	DSR	Date	111609
Finish		Date	Friday, May 14, 2010
Document Number		DOC-0508-030	
Sheet		3 of 3	